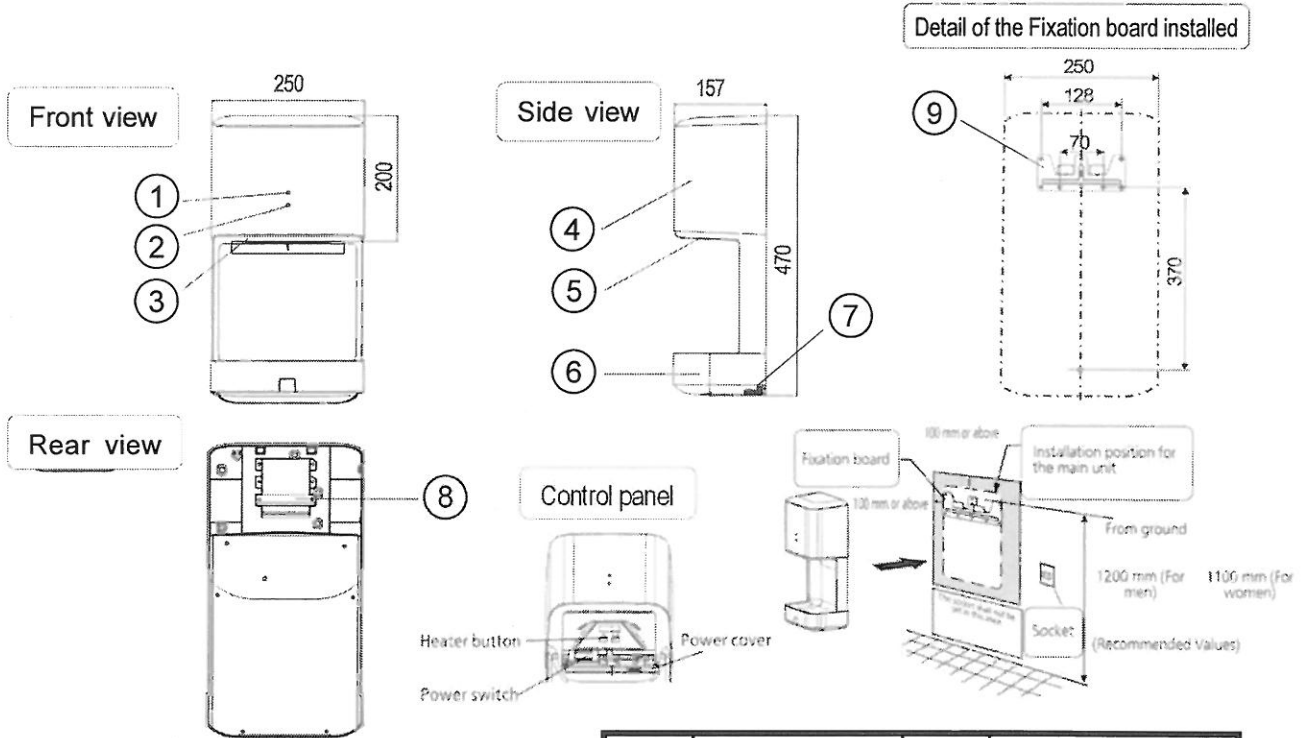


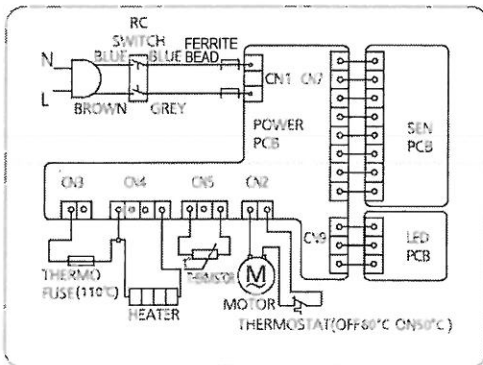
Hand Dryer FJ-T09A3

Unit:mm

PART NAME AND DIMENSIONS



WIRING DIAGRAM



| Code | COMPONENTS | Code | COMPONENTS |
|------|---------------|------|-----------------|
| 1 | Power light | 6 | Water tray unit |
| 2 | Check light | 7 | Filter |
| 3 | Control panel | 8 | Fixation plate |
| 4 | Main body | 9 | Fixation board |
| 5 | Air outlet | | |

SPECIFICATIONS

| Model No. | Rated Voltage [V] | Rated Frequency [Hz] | Total Rated Input Power [W] | Rated Current [A] | Power [W] | | Current [A] | | Net Weight [kg] |
|-----------|-------------------|----------------------|-----------------------------|-------------------|-----------|------------|-------------|------------|-----------------|
| | | | | | Heater ON | Heater OFF | Heater ON | Heater OFF | |
| FJ-T09A3 | 220 | 50/60 | 1020 | 4.5 | 1020 | 650 | 4.5 | 3 | 4 |
| FJ-T09A3 | 230 | 50/60 | 1070 | 4.7 | 1070 | 700 | 4.7 | 3.2 | 4 |

| | | | | | |
|-------------|--------------|---------------|-------------|-----------------|-----------|
| SPEED (m/s) | 100 (90~110) | NOISE [dB(A)] | 62 (+3, -7) | DRYING TIME (S) | about 4~9 |
|-------------|--------------|---------------|-------------|-----------------|-----------|

USE CONDITION:

1. ENVIRONMENT TEMP. 5~40°C;
2. BASE STD. IEC60335-1
IEC60335-2-23
3. KEEP 100mm FLAT SPACE AROUND THE PRODUCT;
4. CAN REPLACE THE FJ-T09A2;

| Product | | | Model | |
|---|------------|-------|------------------|--|
| Hand Dryer | | | FJ-T09A3 | |
| Make Date | 2014-03-14 | Scale | Drawing No. | |
| Modification Date | | FREE | Modification No. | |
| Panasonic Ecology Systems Guangdong Co., Ltd. | | | | |