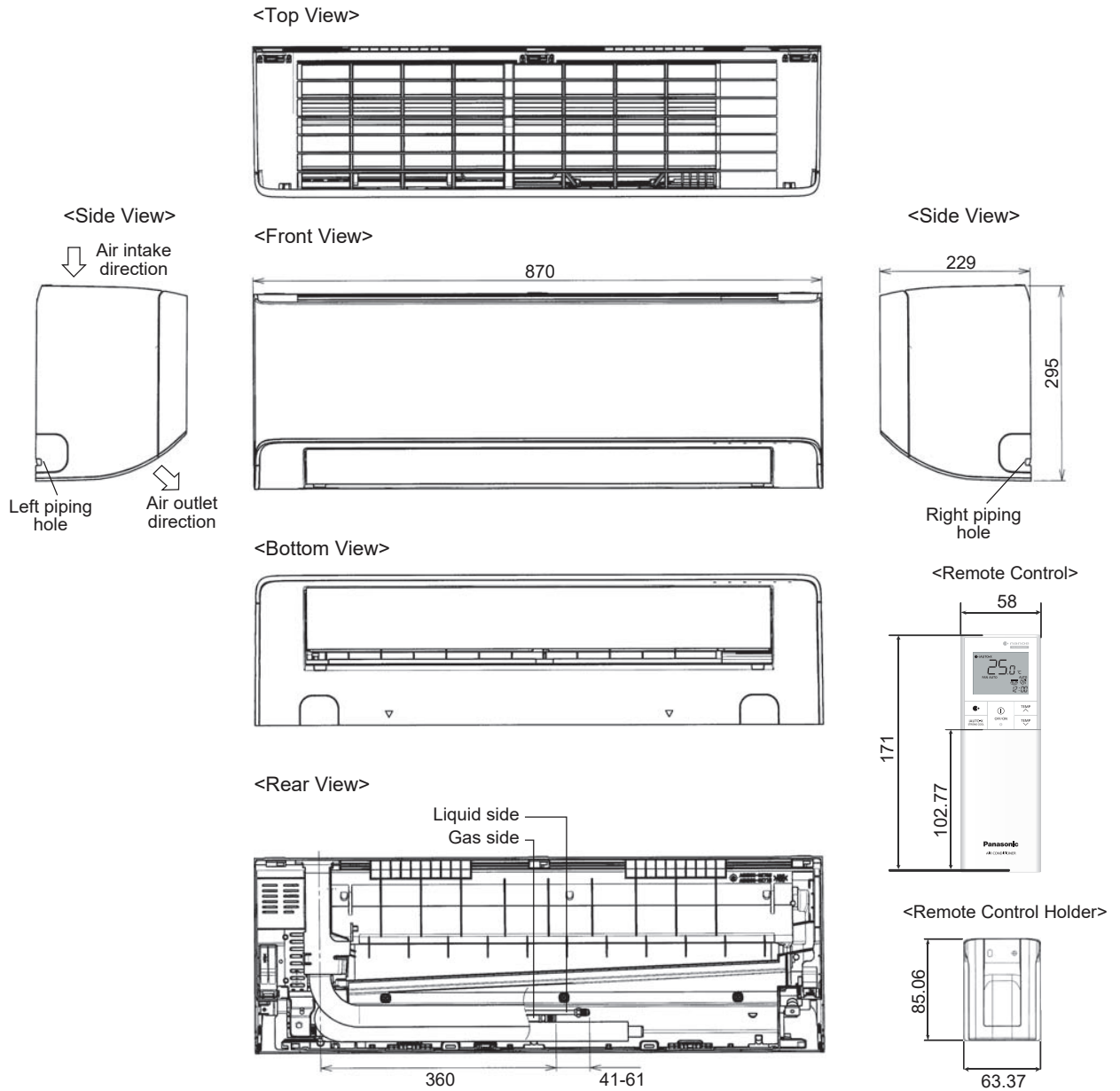


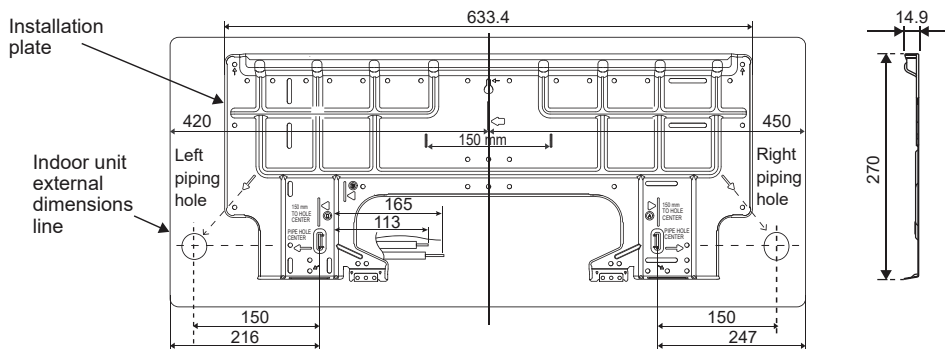
# Dimensions

## 1 Indoor Unit

### 1.1 CS-XU9ZKH-8 / CS-XU12ZKH-8



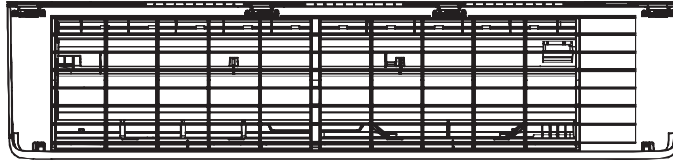
Relative position between the indoor unit and the installation plate <Front View>



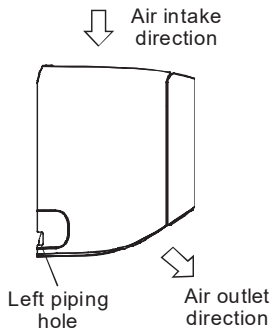
Unit: mm

# 1.2 CS-XU18ZKH-8 / CS-XU24ZKH-8

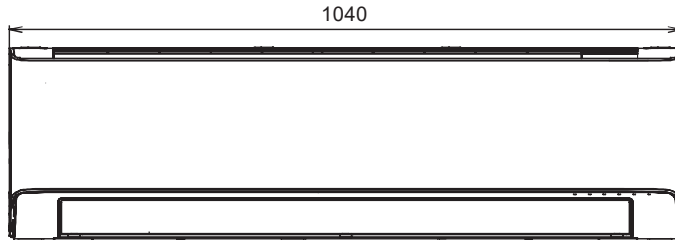
<Top View>



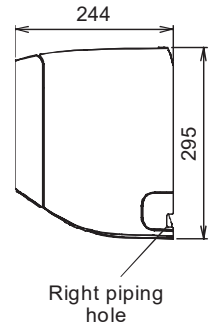
<Side View>



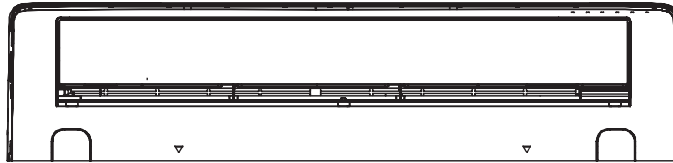
<Front View>



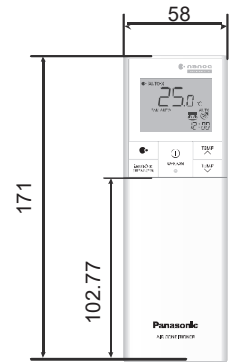
<Side View>



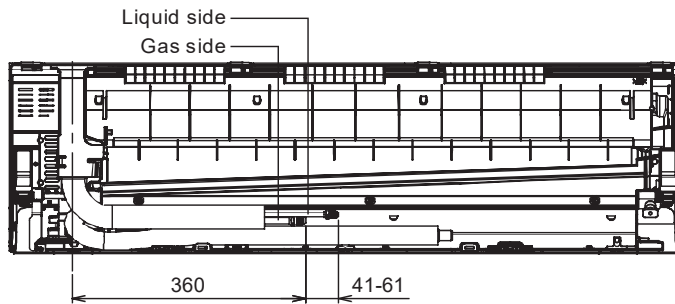
<Bottom View>



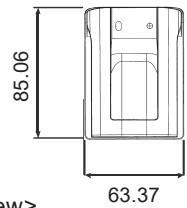
<Remote Control>



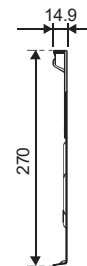
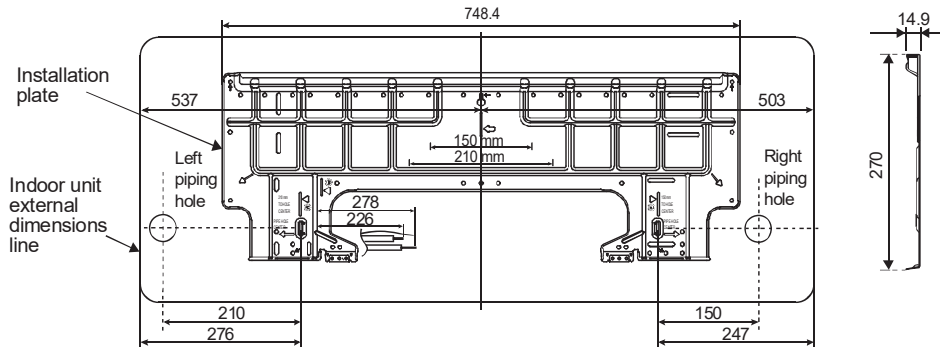
<Rear View>



<Remote Control Holder>



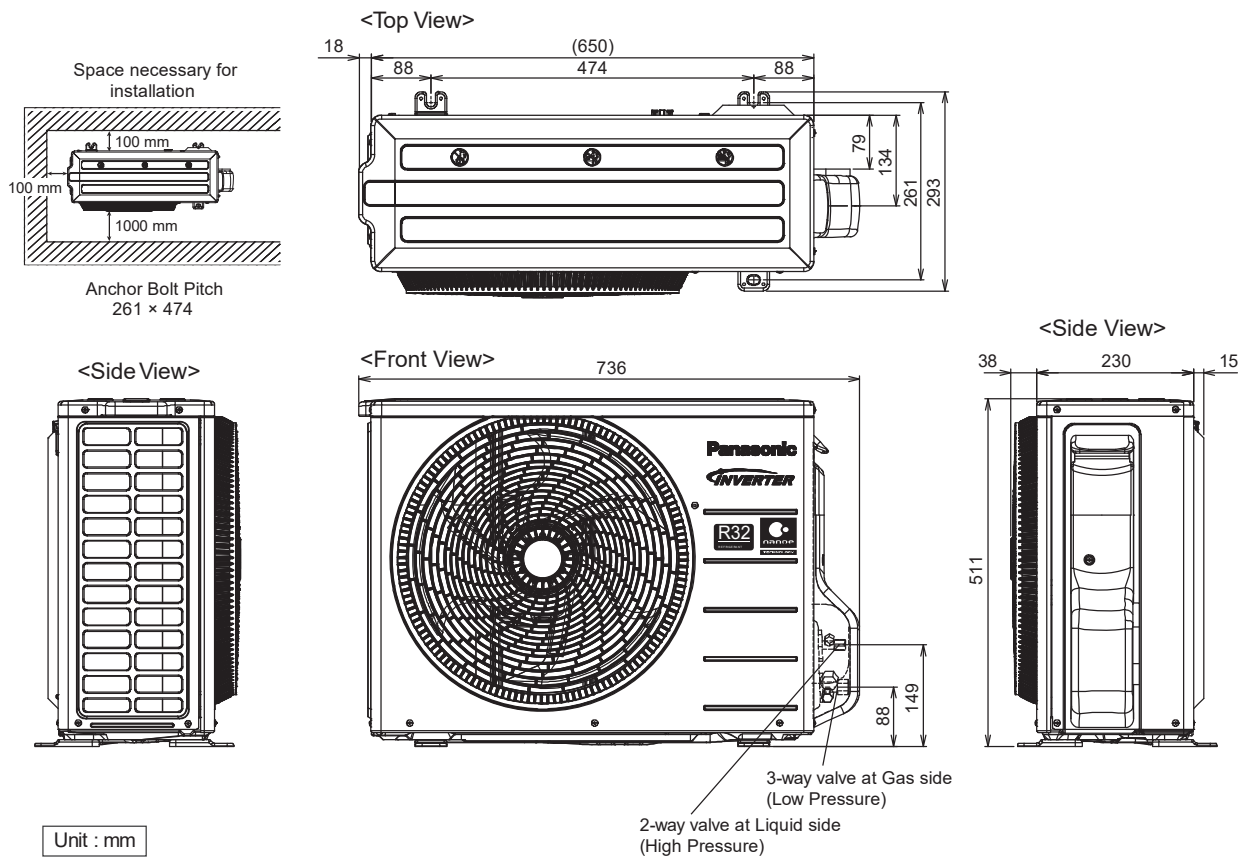
Relative position between the indoor unit and the installation plate <Front View>



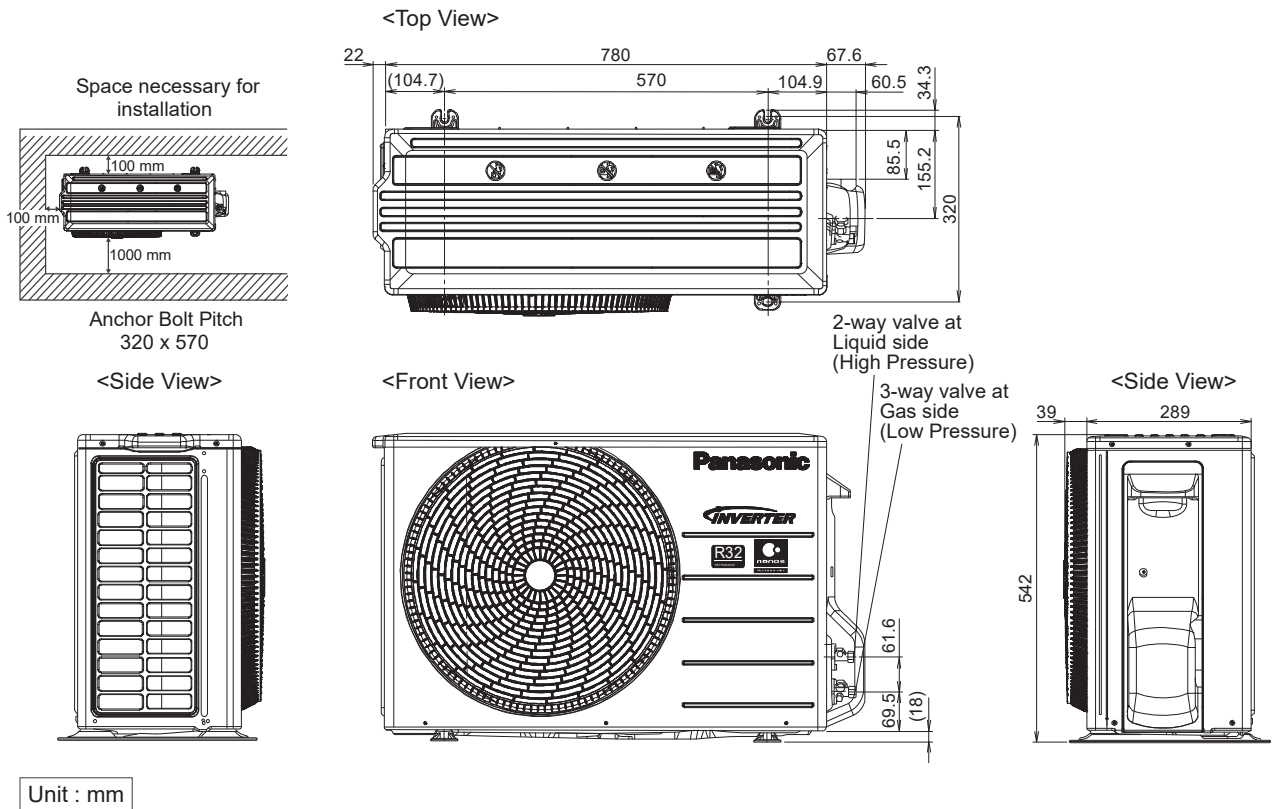
Unit: mm

## 2 Outdoor Unit

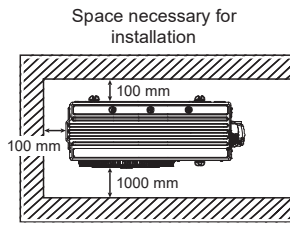
### 2.1 CU-XU9ZKH-8



### 2.2 CU-XU12ZKH-8

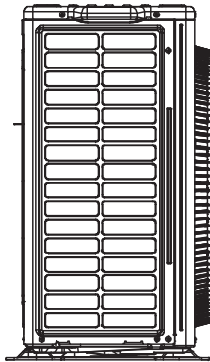


## 2.3 CU-XU18ZKH-8



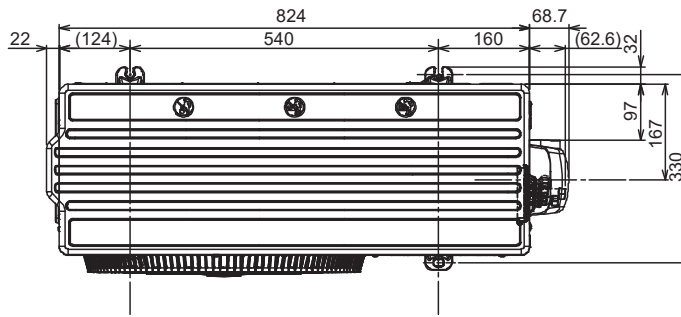
Anchor Bolt Pitch  
330 × 540

<Side View>

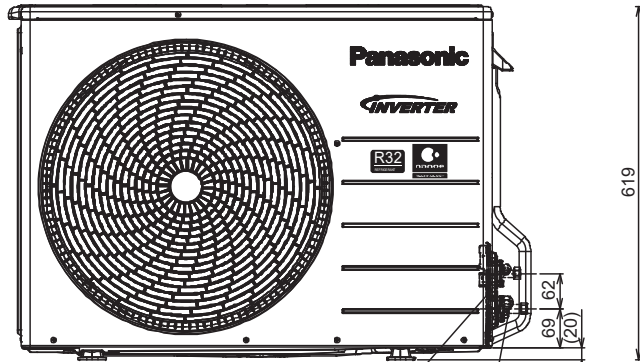


Unit : mm

<Top View>

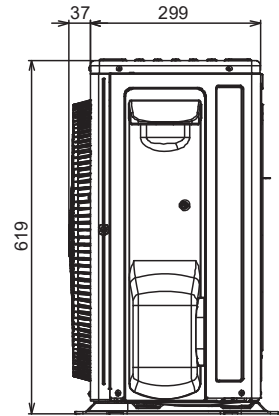


<Front View>

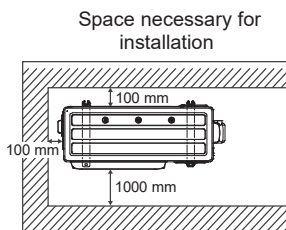


3-way valve at Gas side  
(Low Pressure)  
2-way valve at Liquid side  
(High Pressure)

<Side View>

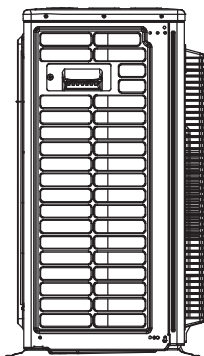


## 2.4 CU-XU24ZKH-8



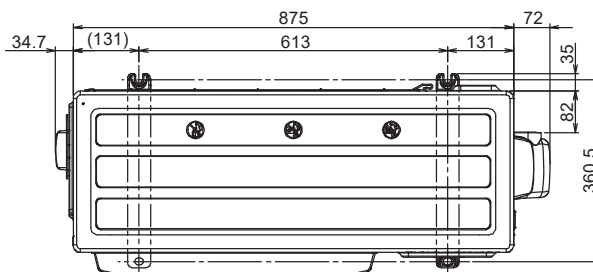
Anchor Bolt Pitch  
360.5 × 613

<Side View>

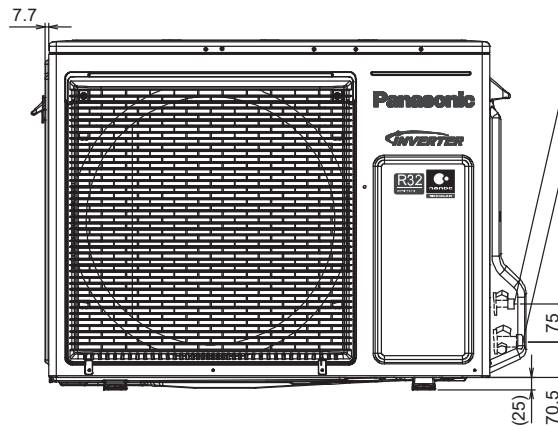


Unit : mm

<Top View>



<Front View>



2-way valve at Liquid side  
(High Pressure)  
3-way valve at Gas side  
(Low Pressure)

<Side View>

