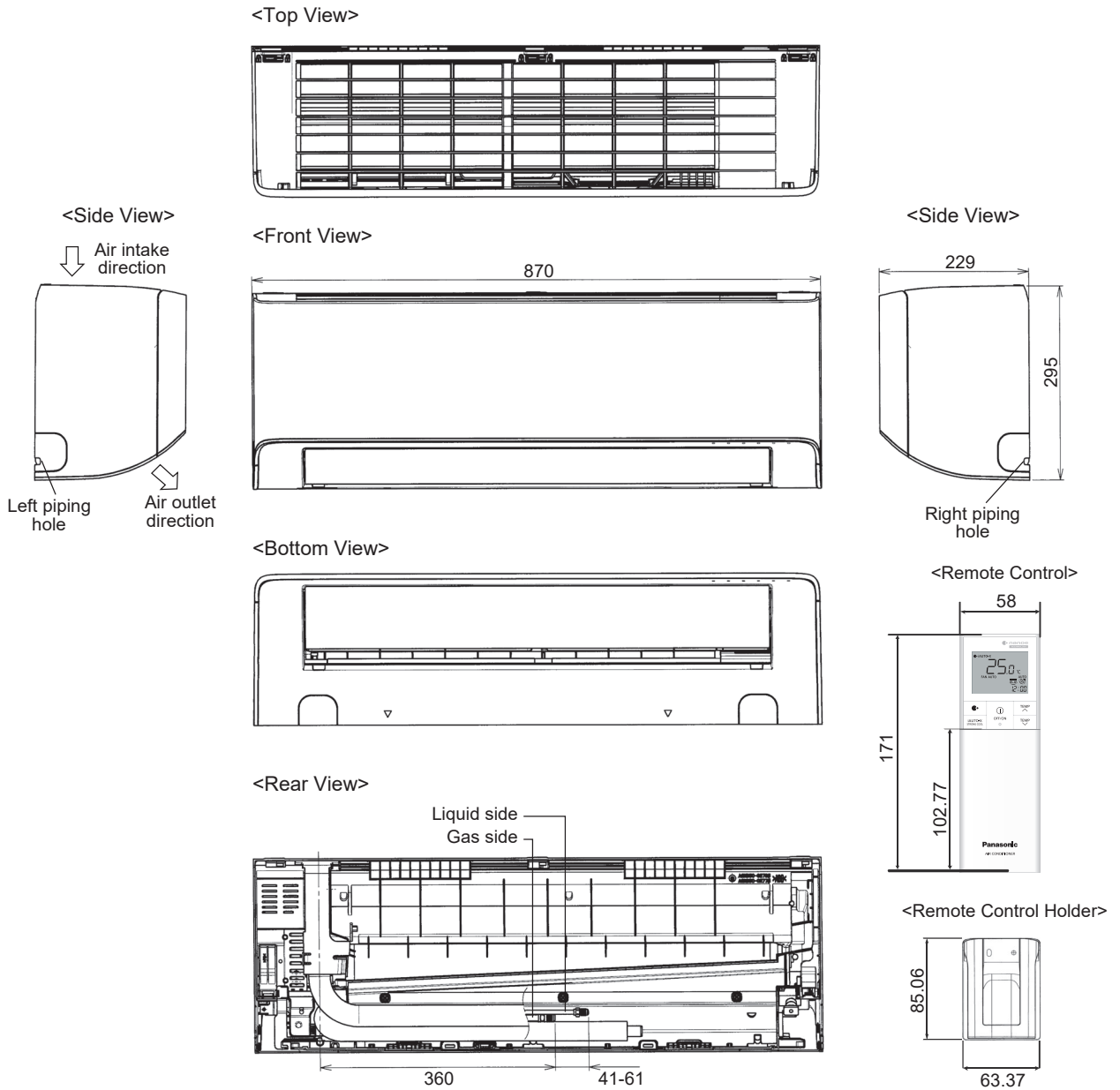


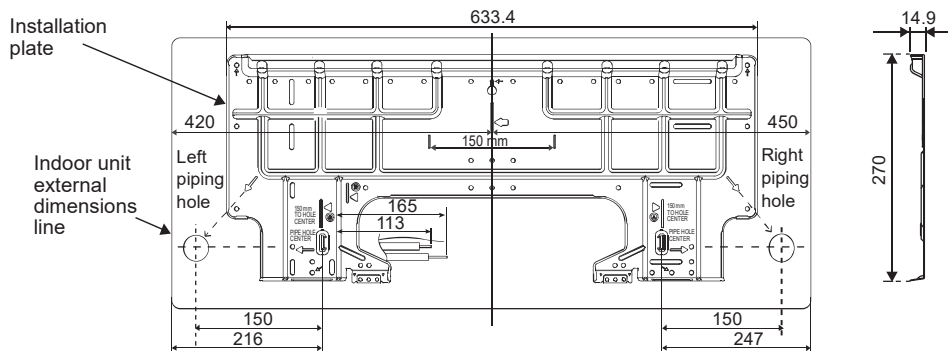
Dimensions

1 Indoor Unit

1.1 CS-XU9XKH-8 / CS-XU12XKH-8



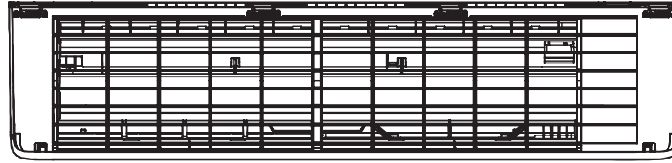
Relative position between the indoor unit and the installation plate <Front View>



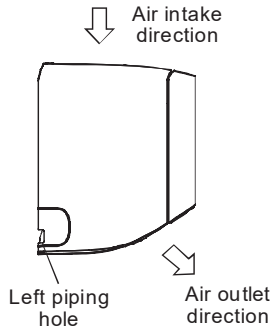
Unit: mm

1.2 CS-XU18XKH-8 / CS-XU24XKH-8

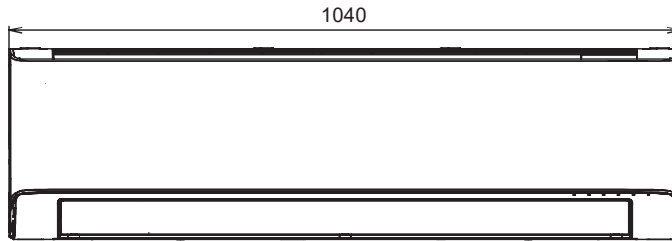
<Top View>



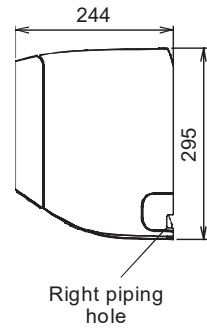
<Side View>



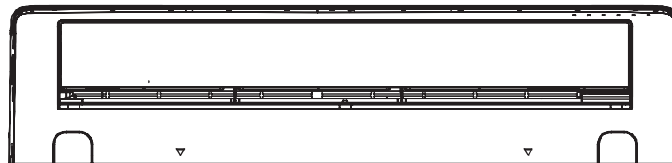
<Front View>



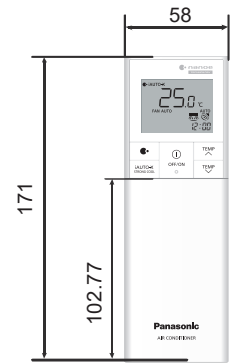
<Side View>



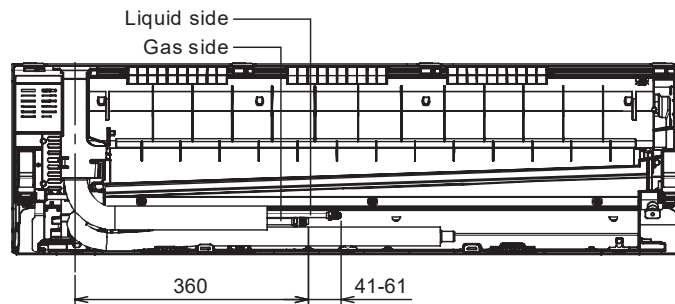
<Bottom View>



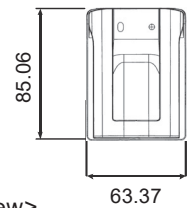
<Remote Control>



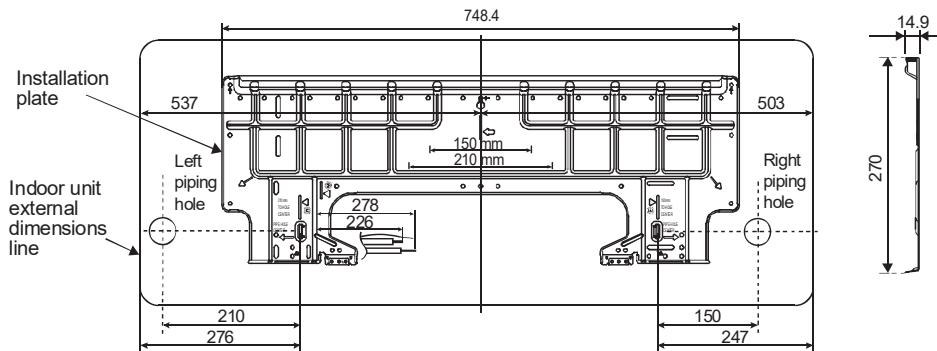
<Rear View>



<Remote Control Holder>



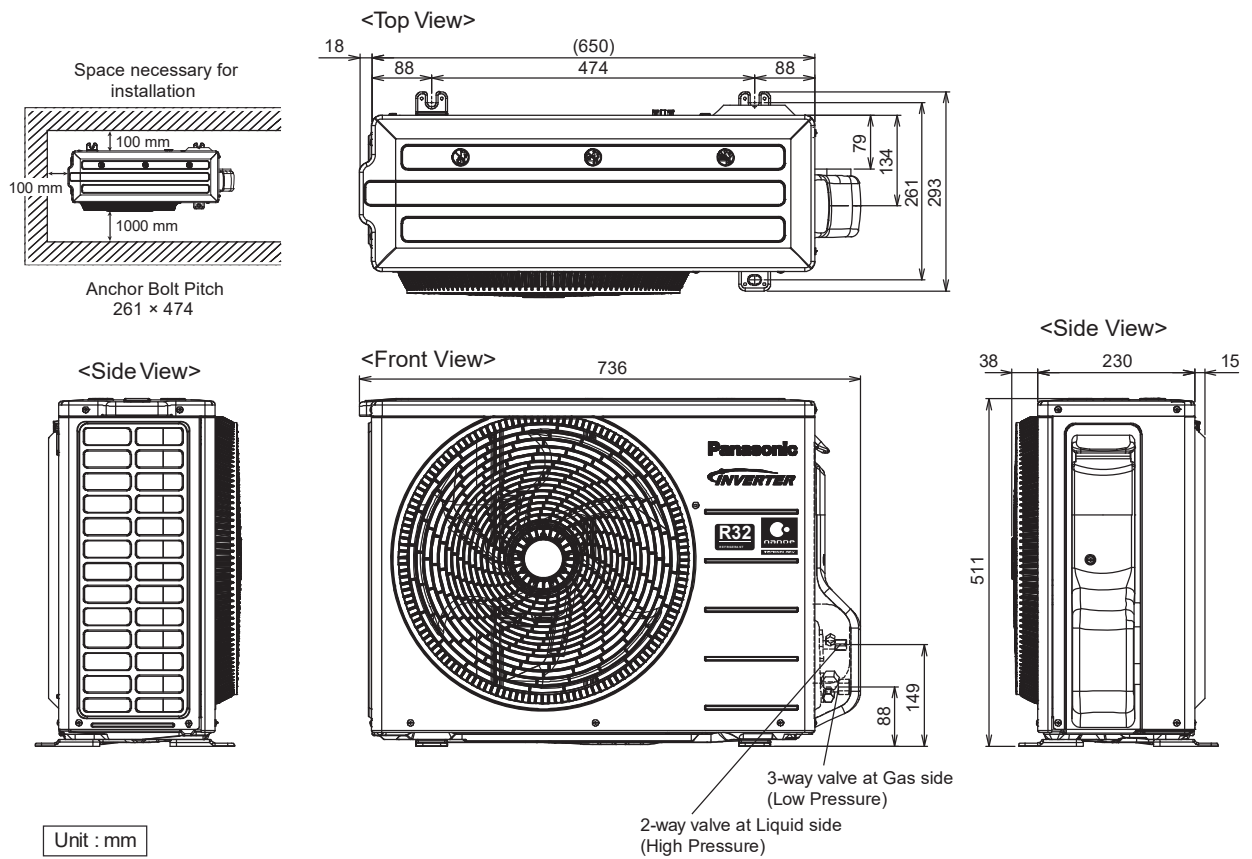
Relative position between the indoor unit and the installation plate <Front View>



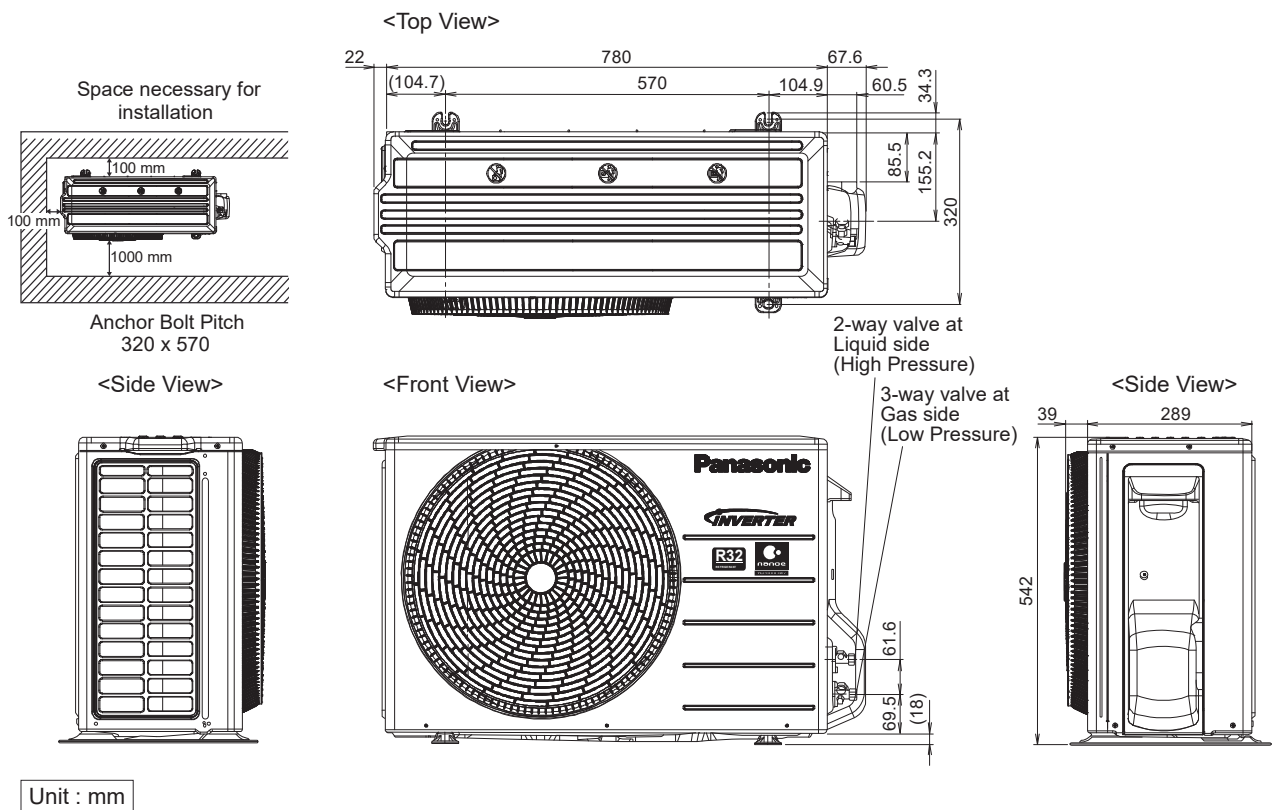
Unit: mm

2 Outdoor Unit

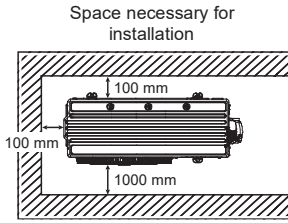
2.1 CU-XU9XKH-8



2.2 CU-XU12XKH-8

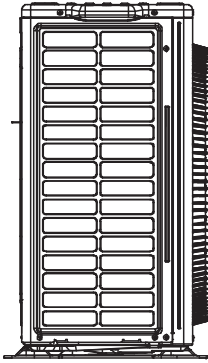


2.3 CU-XU18XKH-8



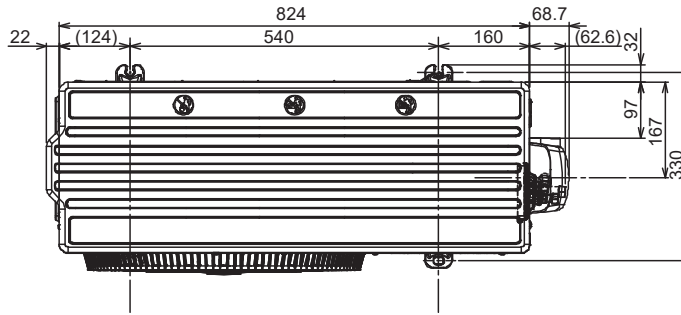
Anchor Bolt Pitch
330 × 540

<Side View>

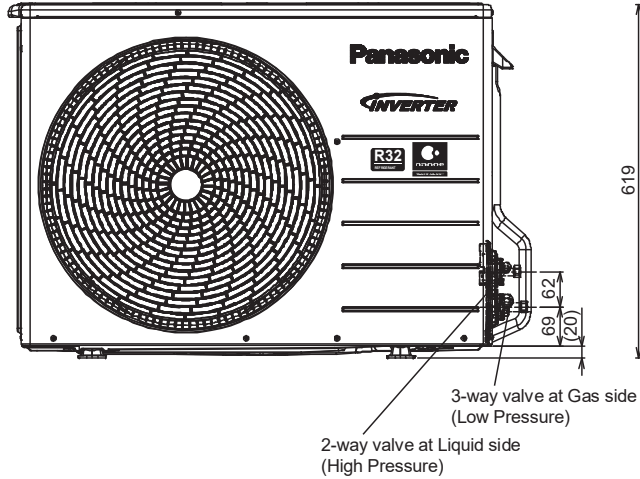


Unit : mm

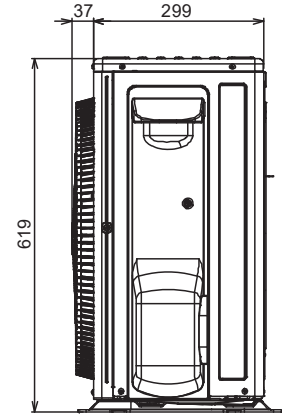
<Top View>



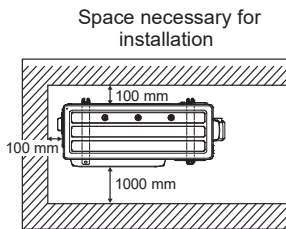
<Front View>



<Side View>

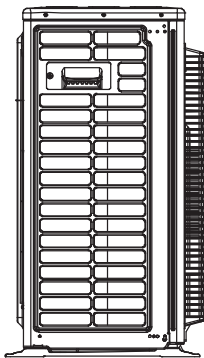


2.4 CU-XU24XKH-8



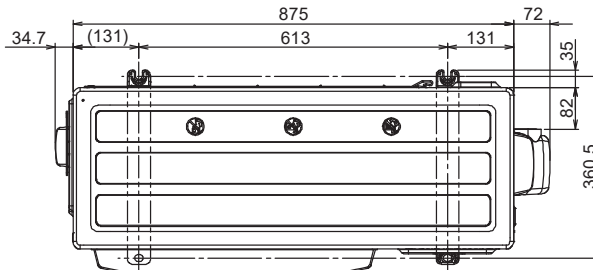
Anchor Bolt Pitch
360.5 × 613

<Side View>

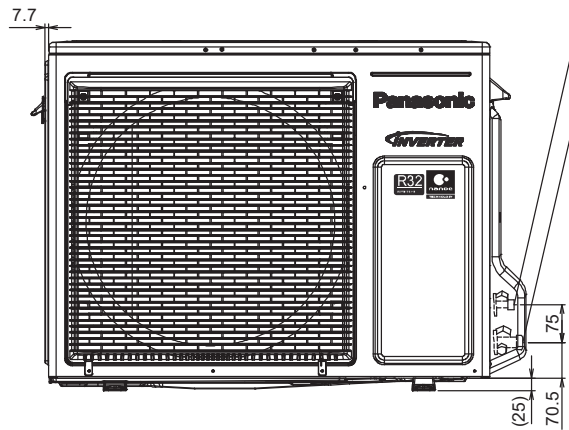


Unit : mm

<Top View>



<Front View>



<Side View>

