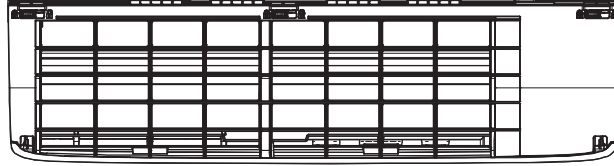


Dimensions

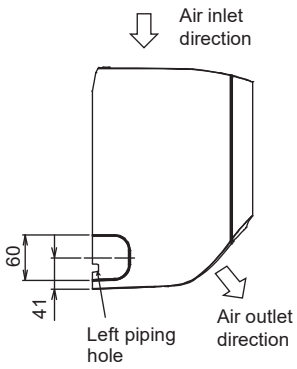
1 Indoor Unit

1.1 CS-XPU9XKH-8 / CS-XPU12XKH-8 / CS-XPU18XKH-8

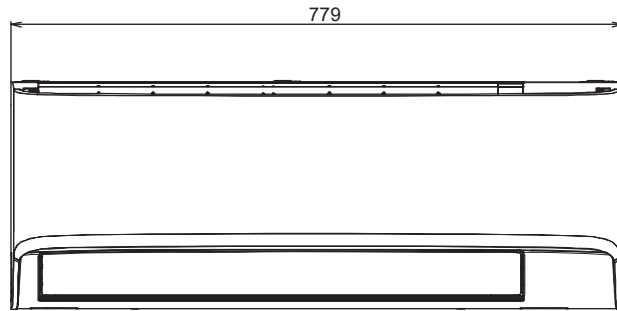
<Top View>



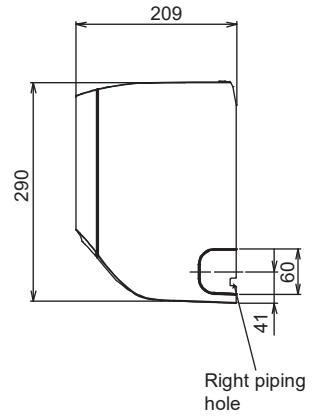
<Side View>



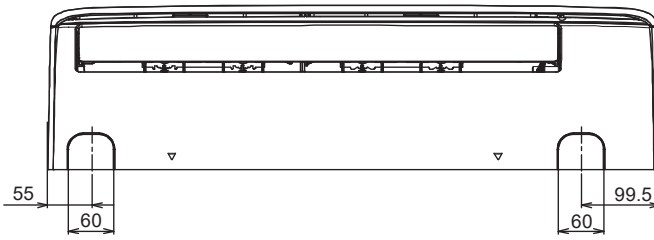
<Front View>



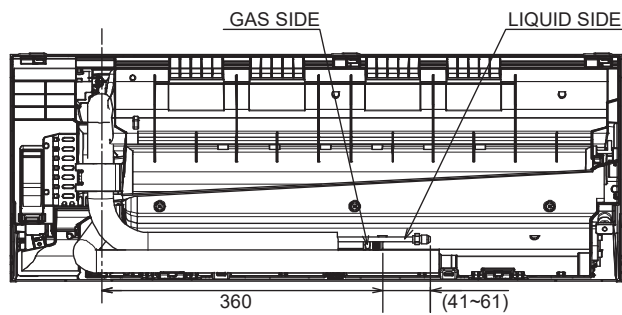
<Side View>



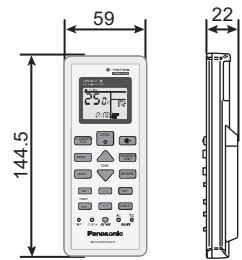
<Bottom View>



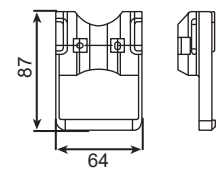
<Rear View>



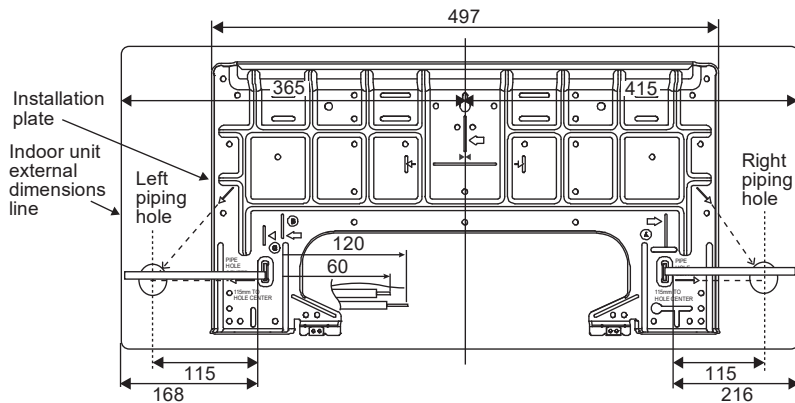
<Remote Control>



<Remote Control Holder>

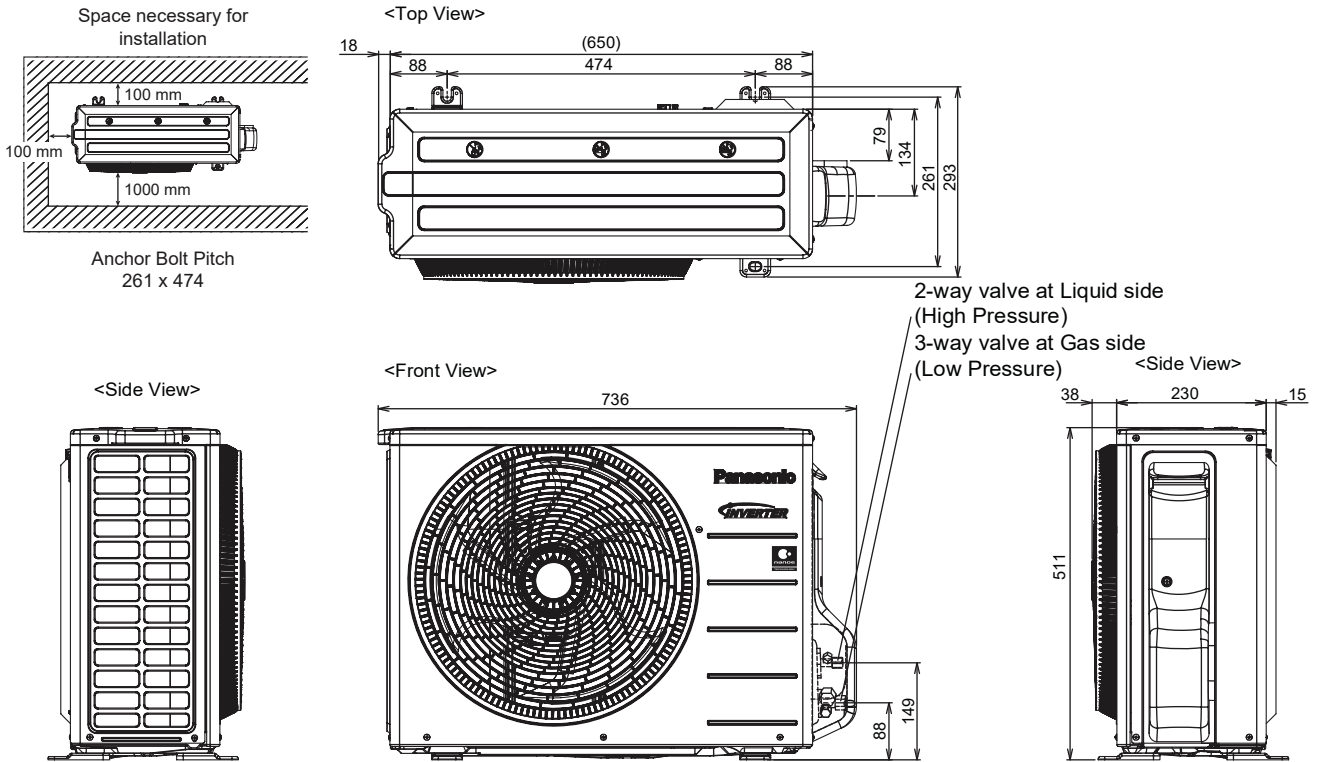


Relative position between the indoor unit and the installation plate <Front View>

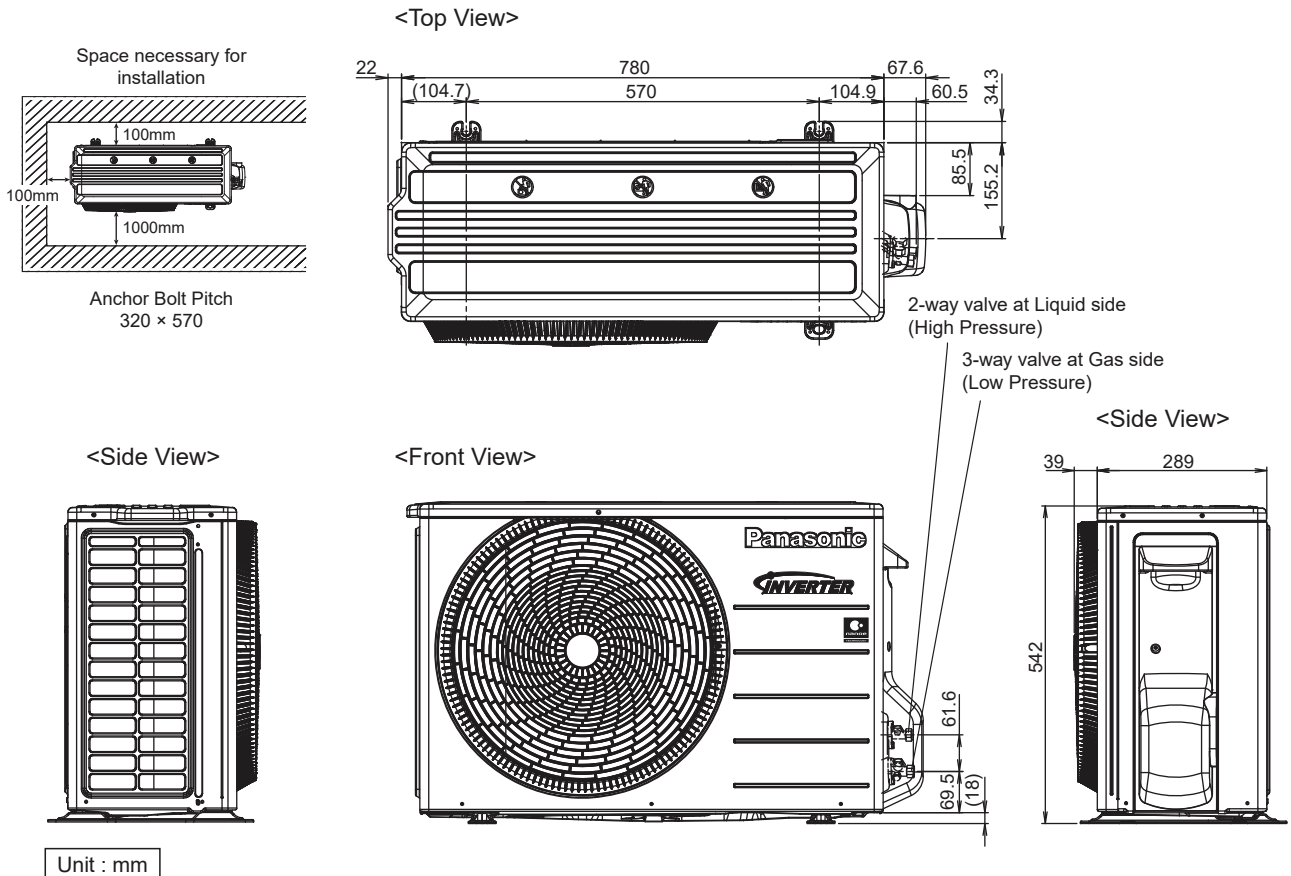


2 Outdoor Unit

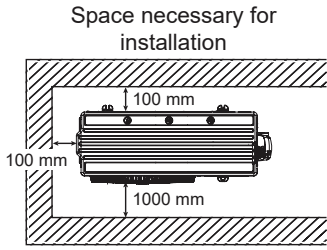
2.1 CU-XPU9XKH-8



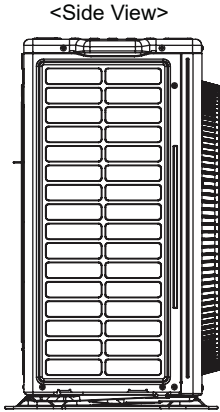
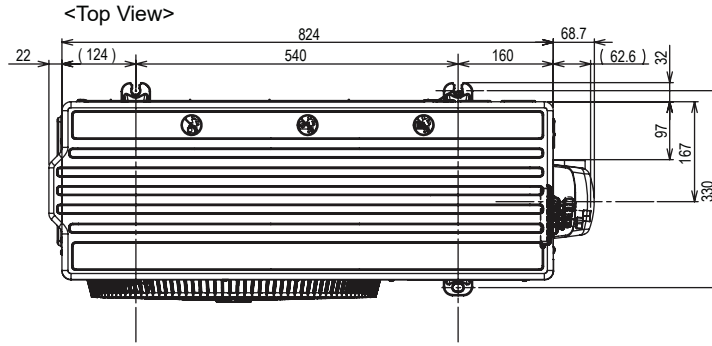
2.2 CU-XPU12XKH-8



2.3 CU-XPU18XKH-8



Anchor Bolt Pitch
330 x 540



Unit: mm

