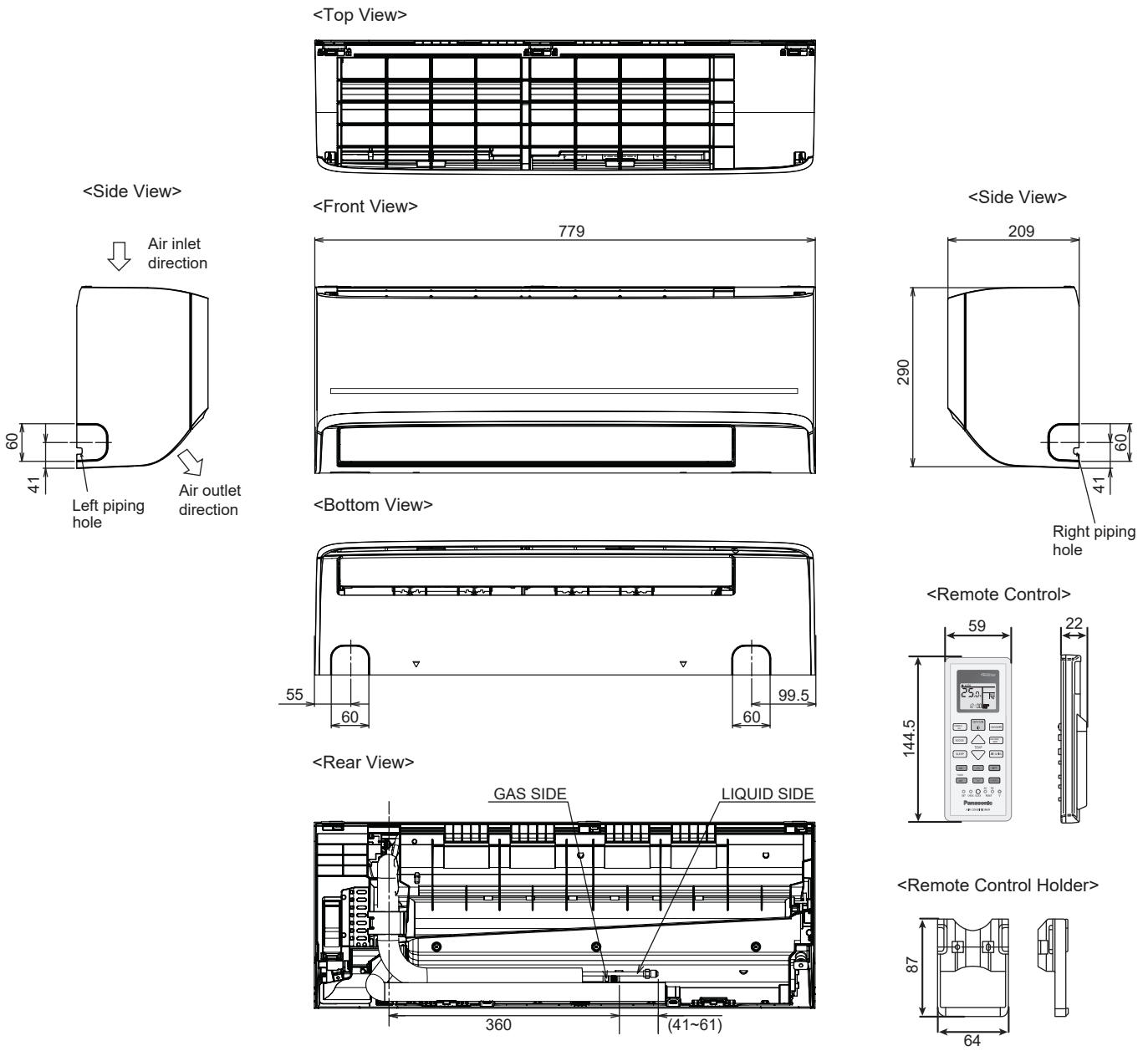


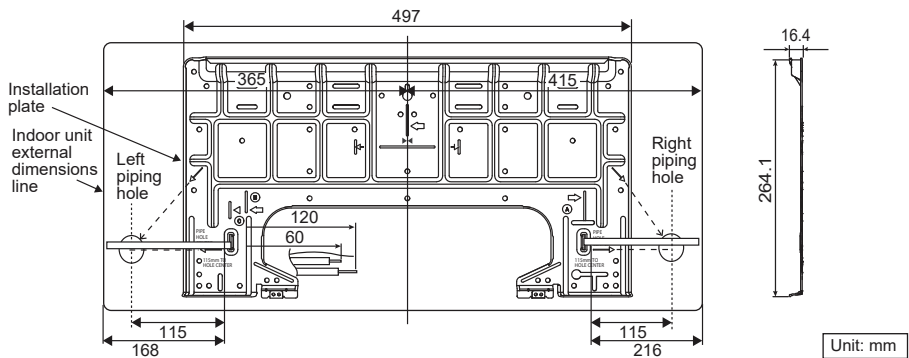
Dimensions

1 Indoor Unit

1.1 CS-WPU9XKH-8 / CS-WPU12XKH-8 / CS-WPU18XKH-8

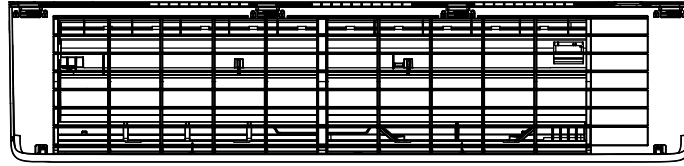


Relative position between the indoor unit and the installation plate <Front View>

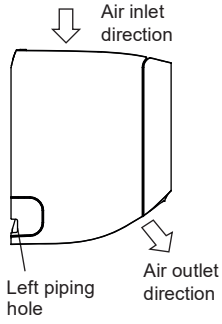


1.2 CS-WPU24XKH-8

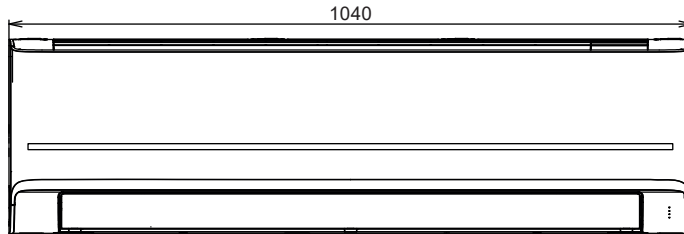
<Top View>



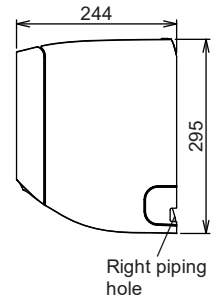
<Side View>



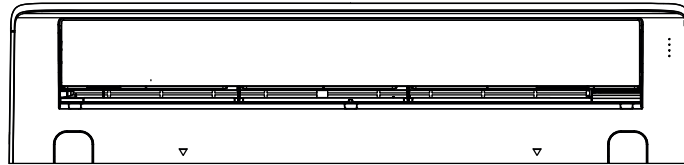
<Front View>



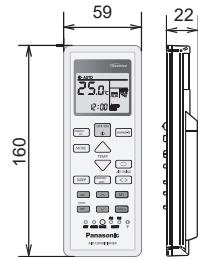
<Side View>



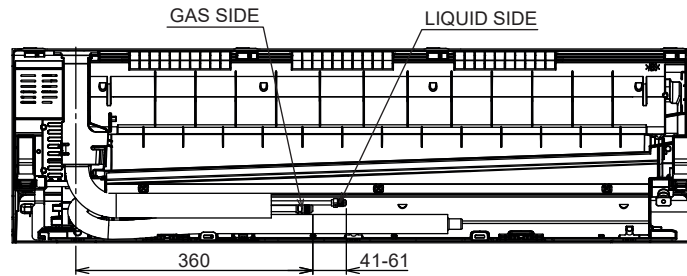
<Bottom View>



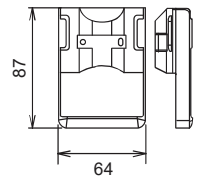
<Remote Control>



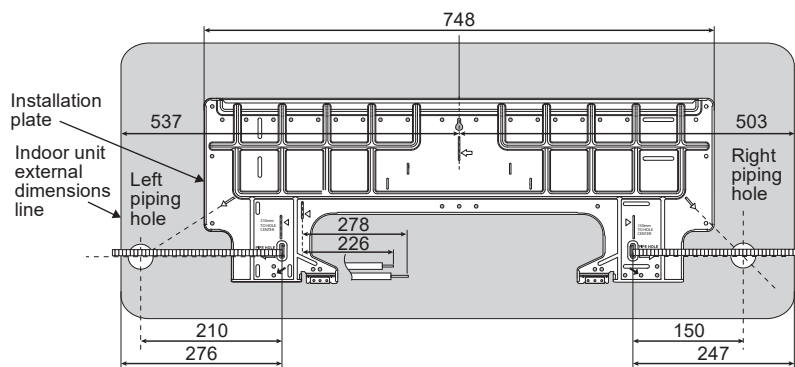
<Rear View>



<Remote Control Holder>



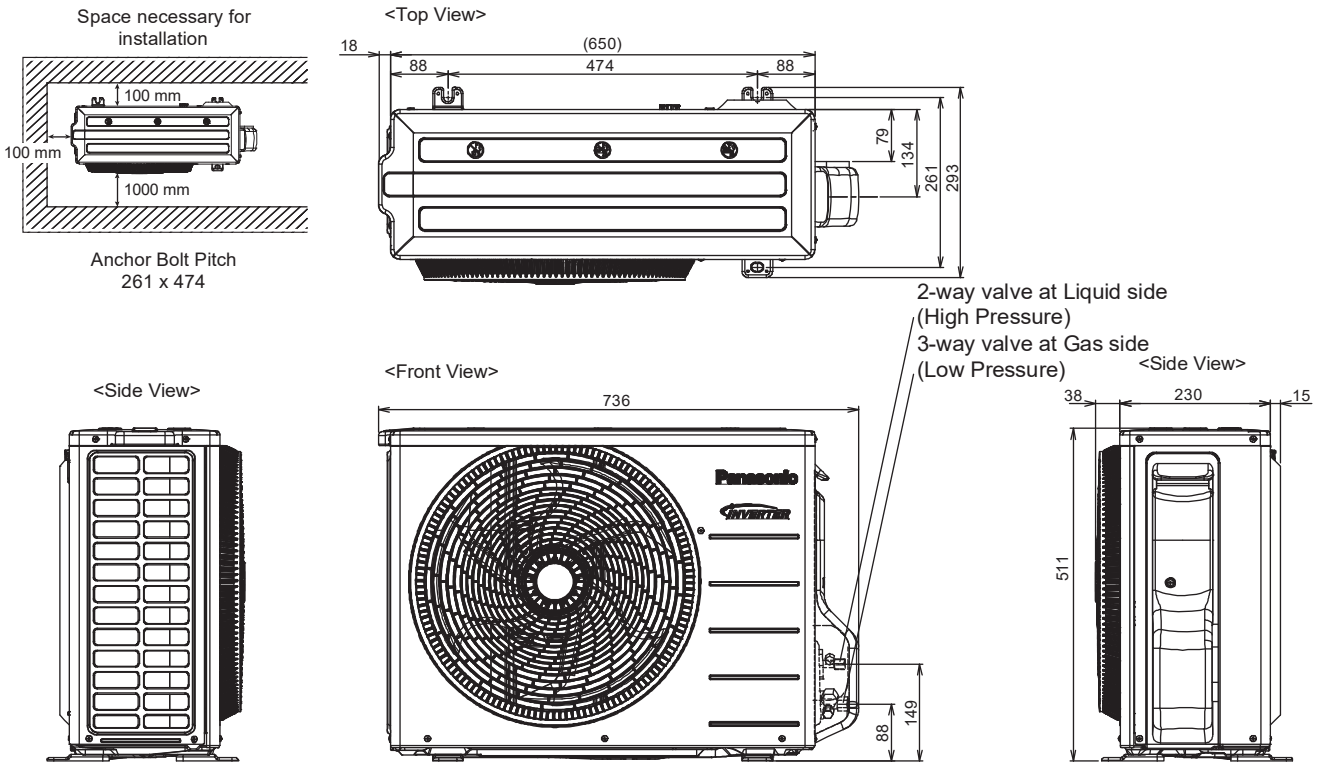
Relative position between the indoor unit and the installation plate <Front View>



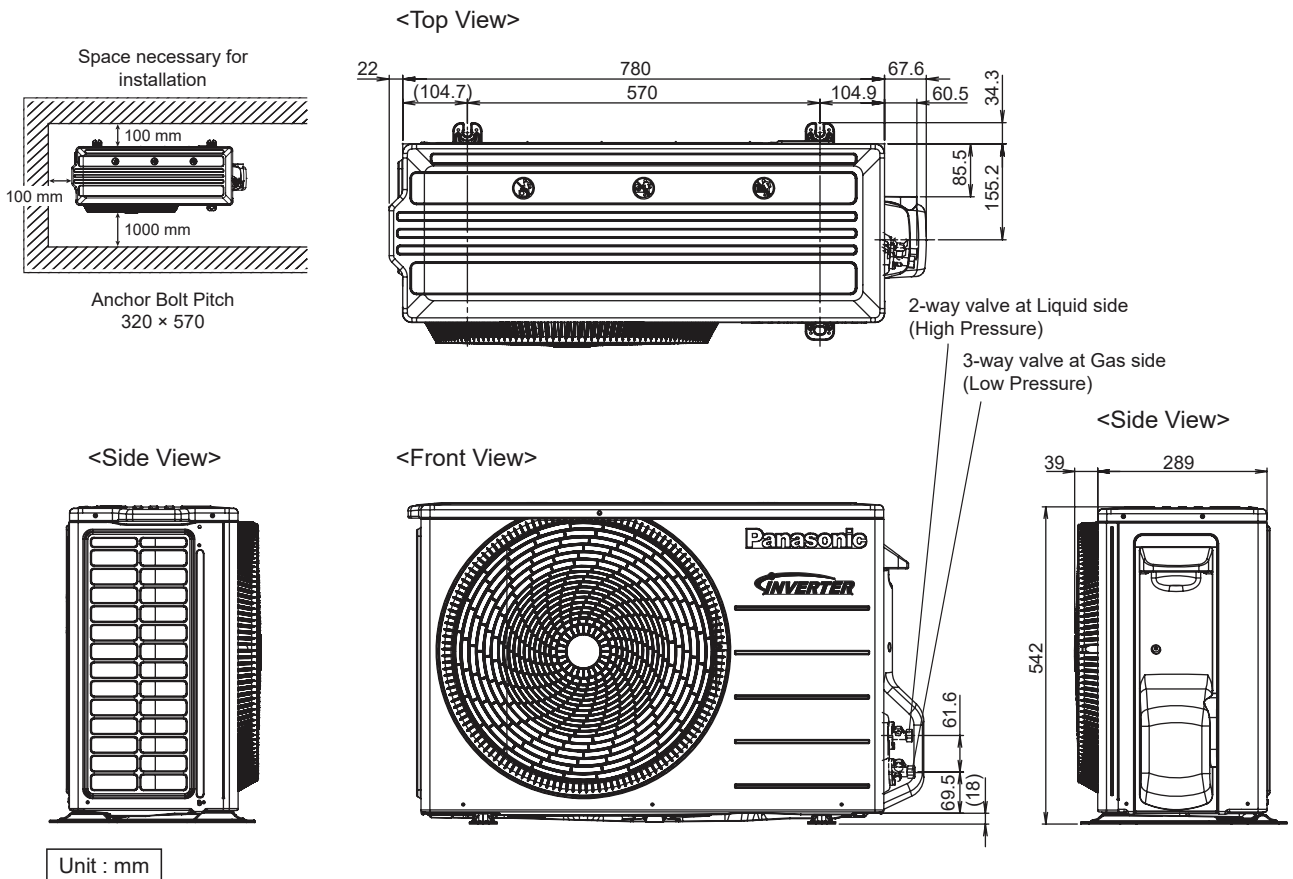
Unit: mm

2 Outdoor Unit

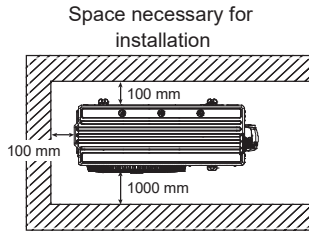
2.1 CU-WPU9XKH-8



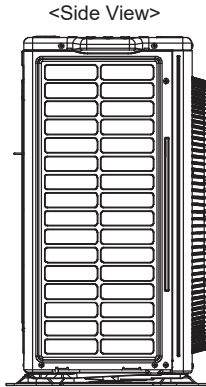
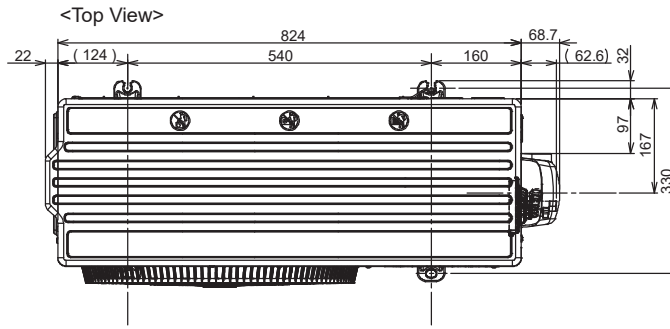
2.2 CU-WPU12XKH-8



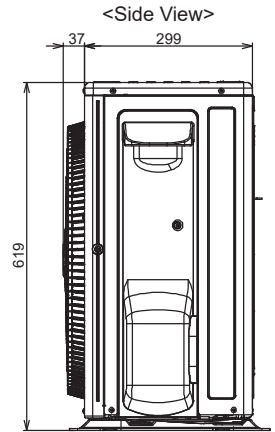
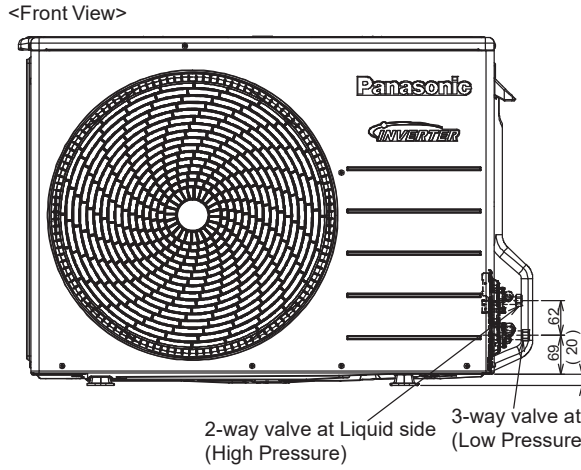
2.3 CU-WPU18XKH-8 / CU-WPU24XKH-8



Anchor Bolt Pitch
330 x 540



Unit: mm



2-way valve at Liquid side
(High Pressure)

3-way valve at Gas side
(Low Pressure)