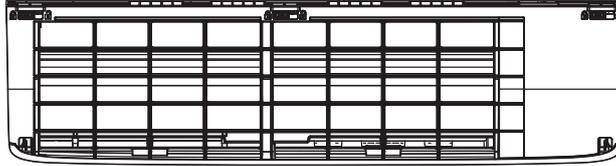


# Dimensions

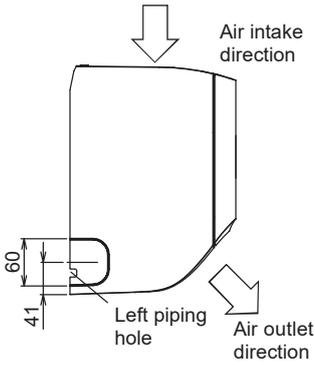
## 1 Indoor Unit

### 1.1 CS-N9ZKH-8 / CS-N12ZKH-8

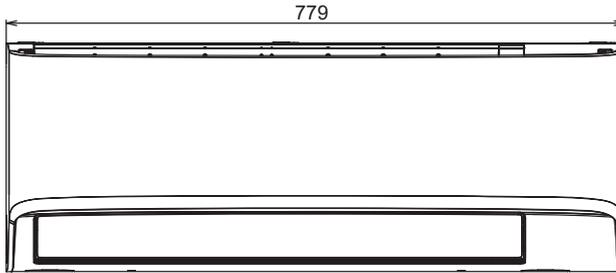
<Top View>



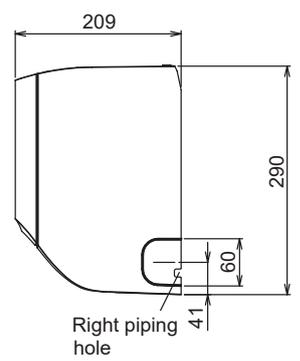
<Side View>



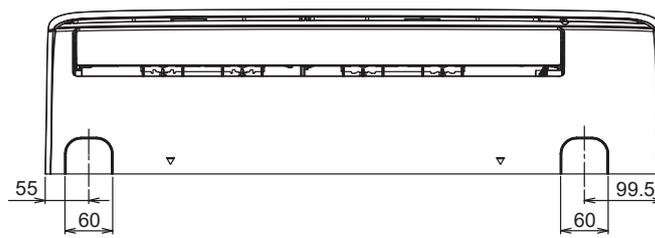
<Front View>



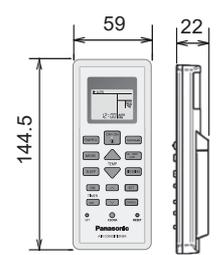
<Side View>



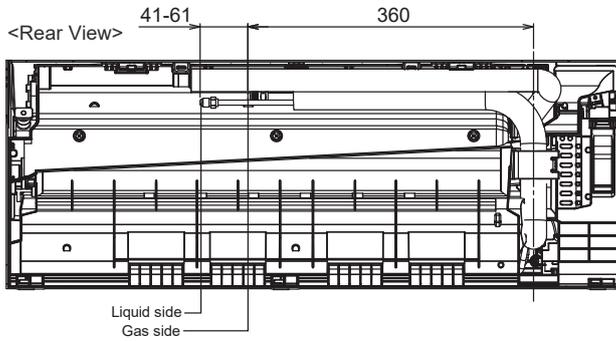
<Bottom View>



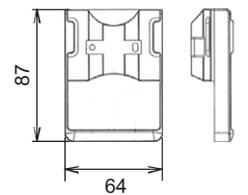
<Remote Control>



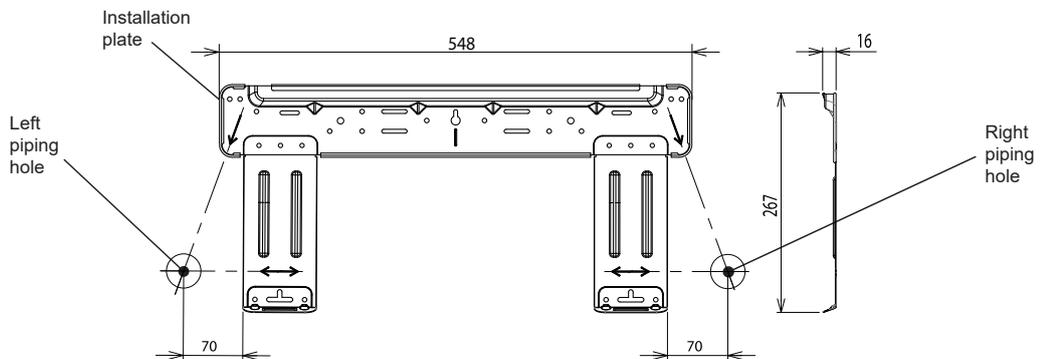
<Rear View>



<Remote Control Holder>



Relative position between the indoor and the installation plate <Front View>



Unit : mm

## 2 Outdoor Unit

### 2.1 CU-N9ZKH-8 / CU-N12ZKH-8

