



Product information



Technical documents
Download from PRO CLUB.

PACKAGED AIR CONDITIONERS NX DELUXE SERIES 2023/2024

Panasonic®

**Building Passion,
Building Solutions.**
Panasonic Air Conditioning Systems

We face a time in which "quality air" differentiates business. It's a time for Panasonic to fully display its strengths. Our ability to assemble and build superior systems isn't just due to the rich resources we have as a comprehensive electronics manufacturer, but also to Panasonic's 100 years of tradition, where each person thinks and acts on their own initiative while working in a team to reach further heights. We do not compromise. Each of our independent selves is a one stop solution. We face our customers' challenges together with our customers and do all that we can to build effective systems. As a true partner for our customers, we strive to always be at the forefront of business.

- Please read the Installation Instructions carefully before installing the unit, and the Operating Instructions before using it.
- Specifications are subject to change without prior notice.
- The contents of this catalogue are accurate as of August 31, 2023.
- Due to printing considerations, the actual colours may vary slightly from those shown.
- All graphics are provided merely for the purpose of illustrating a point.



Do not add or replace refrigerant other than the specified type. Manufacturer is not responsible for the damage and deterioration in safety due to usage of other refrigerant.

Authorised Dealer

PAC INVERTER ASIA Sep 2023



nanoeX INVERTER

R32
REFRIGERANT

Panasonic Singapore

Care Line: +65-62227222
Address: 202, Bedok South Avenue 1, Block A Singapore 469332
Email: service@sg.panasonic.com



QUALITY AIR FOR LIFE

Advantages of 4-Way Cassette

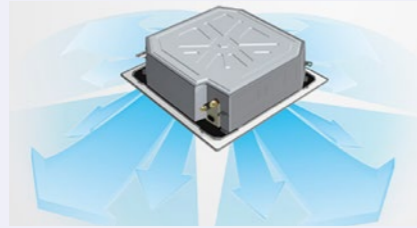
Compact, Modern & Flat Panel Design

Featuring uniform cooling, easy installation, and with a sleek exterior, this unit is the perfect match for all commercial applications.



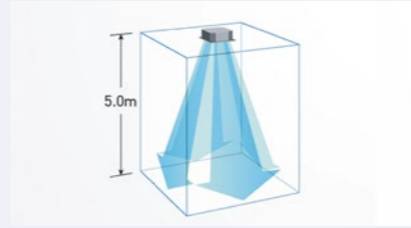
Powerful Airflow

Thanks to its compact design the Twisted 3D Blade Fan increases airflow.



360° Comfortable Airflow

Air coming out of the centre of the discharge outlets travels farther. Air is discharged across a wide area from the four sides of the unit.

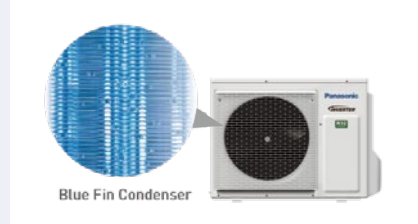


Wide Flap

A wider main flap and sub flap reduce turbulence and increase airflow. Also, a wider angle jetting port allows airflow to reach as far as five meters.

* 4-Way Cassette : 3443PU type

Advantages of Outdoor Unit



High Durability Outdoor Unit

All Panasonic heat exchangers feature our Blue Fin technology, which offers enhanced corrosion resistance compared to non-Blue Fin models.



In-house manufactured compressor

Panasonic all in-house manufactured compressors are supplied to the world. The cumulative total of high-quality compressors in use has reached 580 million units*.

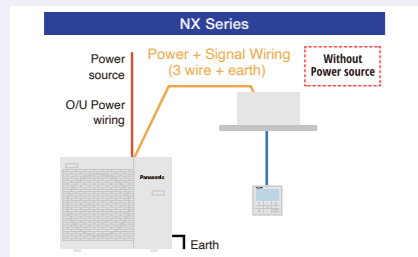
* As of September 2019. (In-house research)



Next Generation R32 Refrigerant

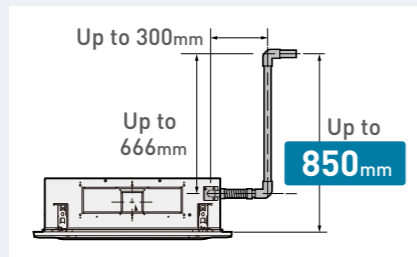
Compared to R22 and R410A, R32 has a very low potential impact on the depletion of the ozone layer and global warming.

Installation Instruction



3 Wire Method

This NX series has been developed with 3 wire method and communication.



A strong and quiet drain pump

The drain pump can pump water up to a height of 850 mm, making drain pipe layout easy. Supports for 4-way Cassette

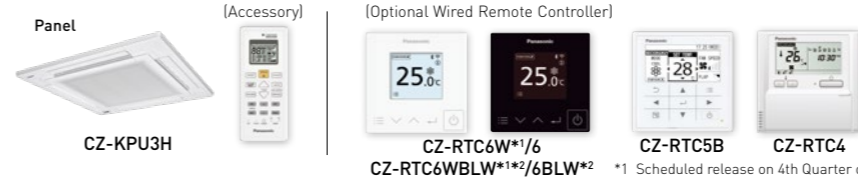


Operation Temperature

NX series are capable of working even in the most difficult ambient conditions. Operating range expanded up to outdoor air temperature of 52°C.

4-WAY CASSETTE

- With the further advanced air purification technology of nanoE™ X Generator Mark 3.
- Powerful industry-leading, 360° wide, comfortable airflow.
- The drain pump can pump water up to a height of 850 mm, making drain pipe layout easy.

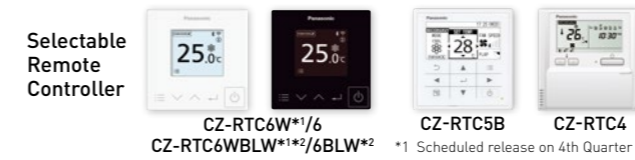


Capacity [Btu/h]	17,100	23,200	32,400	36,900
Power Source	V/Phase Hz 220-240V, 10 Phase - 50Hz			
Indoor Unit	S-18PU3ZA	S-24PU3ZA	S-3443PU3ZA	S-3443PU3ZA
Outdoor Unit	U-18PRH125	U-24PRH125	U-34PRH125	U-43PRH125
Panel	CZ-KPU3H	CZ-KPU3H	CZ-KPU3H	CZ-KPU3H
Cooling Capacity: Rated [Min-Max]	kW 5.00 [2.00-6.00]	6.80 [2.10-9.20]	9.50 [3.80-11.80]	10.80 [3.80-14.00]
Btu/h	17,100 [6,820-20,500]	23,200 [7,170-31,400]	32,400 [13,000-40,300]	36,900 [13,000-47,800]
Current: Rated	A 4.7-4.5 [9.1]	7.3-6.7 [12.0]	11.3-10.3 [25.5]	13.8-12.7 [26.0]
Power Input: Rated [Min-Max]	kW 0.99 [0.26-1.35]	1.57 [0.28-2.50]	2.28 [0.62-3.00]	2.80 [0.63-4.10]
COP/EER	W/W 5.05	4.33	4.17	3.86
Btu/h/W	17.27	14.78	14.21	13.18
Weighted COP/EER*	W/W 6.08	5.46	5.15	4.92
Btu/h/W	20.74	18.63	17.57	16.79
Indoor Unit				
Air Volume	m³/min 25.0	25.0	36.4	36.4
cfm	882	882	1,285	1,285
Sound Pressure Level [Hi/L0]	dB [A] 42 / 35	42 / 35	47 / 41	47 / 41
Sound Power Level [Hi/L0]	dB [A] 57 / 50	57 / 50	62 / 56	62 / 56
Dimension	Indoor (HxWxD) mm 256 x 840 x 840	256 x 840 x 840	319 x 840 x 840	319 x 840 x 840
Panel (HxWxD) mm	44 x 950 x 950	44 x 950 x 950	44 x 950 x 950	44 x 950 x 950
Net Weight	Indoor kg 21	21	24	24
Panel kg	5	5	5	5
Outdoor Unit				
Sound Pressure Level	dB [A] 50	53	54	57
Sound Power Level	dB [A] 69	72	73	76
Dimension	Outdoor (HxWxD) mm 695 x 875 x 320	695 x 875 x 320	996 x 980 x 370	996 x 980 x 370
Net Weight	kg 39	39	69	69
Piping Connection	Gas Pipe mm [inch] 12.70 [1/2]	15.88 [5/8]	15.88 [5/8]	15.88 [5/8]
Liquid Pipe mm [inch]	6.35 [1/4]	9.52 [3/8]	9.52 [3/8]	9.52 [3/8]
Pipe Length	Min-Max m 5 - 50	5 - 50	5 - 50	5 - 50
Elevation Difference	m 30	30	30	30
Maximum Chargeless Length	Max m 30	30	30	30
Additional Gas	g/m 15	25	25	25
Operation Range, Outdoor	Min-Max °C 16-52	16-52	16-52	16-52

*Tested based on NEA energy labelling scheme. Please refer to technical documents for more details * The sound pressure level is measured in accordance with JIS C 9 612 and JIS B 8616. * DELUXE series indoor units can only be connected to outdoor units of the same series.

ADAPTIVE DUCTED

- Air intake from rear as standard. Industry-leading horizontal and vertical design.
- Powerful 150Pa ESP and space saving 250 mm height, filter included.
- Built-in drain pump and selectable air inlet position (bottom and rear).

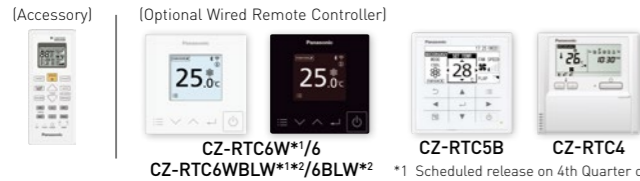


Capacity [Btu/h]	17,100	23,200	32,400	36,900
Power Source	V/Phase Hz 220-240V, 10 Phase - 50Hz			
Indoor Unit	S-1821PF3H	S-2430PF3H	S-3448PF3H	S-3448PF3H
Outdoor Unit	U-18PRH1H5	U-24PRH1H5	U-34PRH1H5	U-43PRH1H5
Cooling Capacity: Rated [Min-Max]	kW 5.00 [1.60-6.00]	7.10 [1.80-8.00]	10.00 [3.80-11.20]	12.50 [3.80-14.00]
Btu/h	17,100 [5,460-20,500]	24,200 [6,140-27,300]	34,100 [13,000-38,200]	42,700 [13,000-47,800]
Current: Rated	A 5.6-5.3 [9.1]	8.3-7.7 [12.0]	11.0-10.9 [25.5]	17.7-16.3 [26.0]
Power Input: Rated [Min-Max]	kW 1.16 [0.24-1.55]	1.80 [0.30-2.35]	2.40 [0.65-3.08]	3.59 [0.65-4.35]
CSPF	5.90	6.10	6.40	5.45
COP/EER	W/W 4.31	3.94	4.17	3.48
Btu/h/W	14.74	13.44	14.21	11.89
Indoor Unit				
Air Volume	m³/min 16.0	21.0	36.0	36.0
cfm	565	740	1,270	1,270
External static pressure	Pa 30 [10-150]	30 [10-150]	50 [10-150]	50 [10-150]
Sound Pressure Level [Hi/L0]	dB [A] 35 / 29	35 / 29	40 / 30	40 / 30
Sound Power Level [Hi/L0]	dB [A] 58 / 52	58 / 52	63 / 53	63 / 53
Dimension	Indoor (HxWxD) mm 250 x 800 x 730	250 x 1,000 x 730	250 x 1,400 x 730	250 x 1,400 x 730
Net Weight	kg 25	30	39	39
Outdoor Unit				
Sound Pressure Level	dB [A] 50	53	54	57
Sound Power Level	dB [A] 69	72	73	76
Dimension	Outdoor (HxWxD) mm 695 x 875 x 320	695 x 875 x 320	996 x 980 x 370	996 x 980 x 370
Net Weight	kg 39	39	69	69
Piping Connection	Gas Pipe mm [inch] 12.70 [1/2]	15.88 [5/8]	15.88 [5/8]	15.88 [5/8]
Liquid Pipe mm [inch]	6.35 [1/4]	9.52 [3/8]	9.52 [3/8]	9.52 [3/8]
Pipe Length	Min-Max m 5 - 50	5 - 50	5 - 50	5 - 50
Elevation Difference	m 30	30	30	30
Maximum Chargeless Length	Max m 30	30	30	30
Additional Gas	g/m 15	25	25	25
Operation Range, Outdoor	Min-Max °C 16-52	16-52	16-52	16-52

*Tested based on NEA energy labelling scheme. Please refer to technical documents for more detail * The sound pressure level is measured in accordance with JIS C 9 612 and JIS B 8616. * DELUXE series indoor units can only be connected to outdoor units of the same series.

CEILING EXPOSED

- Slim design with a thickness of only 235 mm. compact looking, stylish,
- Compact looking, stylish, one-motion design.
- Comfortable, long-distance airflow distribution.



nanoeX
Generator Mark2
R32 REFRIGERANT

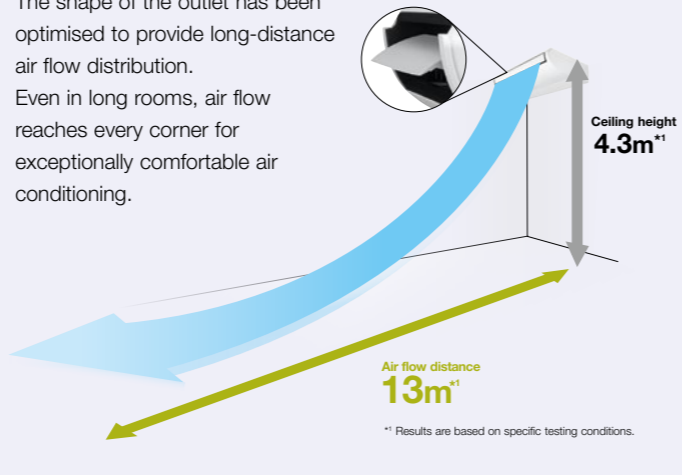
Capacity [Btu/h(Phase)]	42700 [3]	47,800[3]
Power Source	V/Phase Hz	380V, 3Ø Phase - 50Hz
Indoor Unit	S-3448PT3H	S-3448PT3H
Outdoor Unit	U-43PRH1H8	U-48PRH1H8
Cooling Capacity: Rated [Min-Max]	kW 12.50 [3.80-14.00]	14.00 [5.30-15.50]
	Btu/h 42,700 [13,000-47,800]	47,800 [18,100-52,900]
Current: Rated	A 6.1-5.6 [10.5]	6.9-6.3 [11.5]
Power Input: Rated [Min-Max]	kW 3.75 [0.68-4.40]	4.24 [0.94-5.00]
CSPF	5.50	5.40
COP/EER	W/W 3.33	3.30
	Btu/hW 11.39	11.27
Indoor Unit		
Air Volume	m ³ /min 35.0	35.0
	cfm 1,235	1,235
Sound Pressure Level [Hi/L0]	dB [A] 46 / 38	46 / 38
Sound Power Level [Hi/L0]	dB [A] 64 / 56	64 / 56
Dimension Indoor (H×W×D)	mm 235 x 1,590 x 690	235 x 1,590 x 690
Net Weight	kg 40	40
Outdoor Unit		
Sound Pressure Level	dB [A] 57	58
Sound Power Level	dB [A] 76	77
Dimension Outdoor (H×W×D)	mm 996 x 980 x 370	996 x 980 x 370
Net Weight	kg 67	73
Piping Connection	Gas Pipe mm (inch) 15.88 (5/8)	15.88 (5/8)
	Liquid Pipe mm (inch) 9.52 (3/8)	9.52 (3/8)
Pipe Length	Min-Max m 5 - 50	5 - 50
Elevation Difference	m 30	30
Maximum Chargeless Length	Max m 30	30
Additional Gas	g/m 25	25
Operation Range, Outdoor Min-Max	°C 16-52	16-52

Advantages of Ceiling Exposed

Comfortable, Long-Distance Airflow Distribution

The shape of the outlet has been optimised to provide long-distance air flow distribution.

Even in long rooms, air flow reaches every corner for exceptionally comfortable air conditioning.

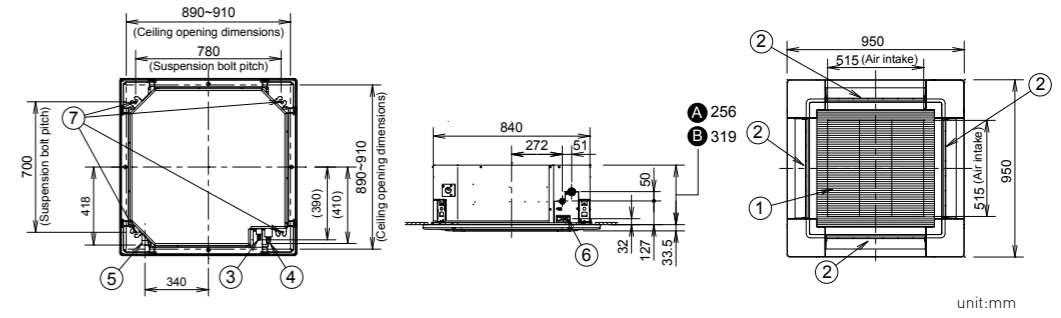


*Tested based on NEA energy labelling scheme. Please refer to technical documents for more detail * The sound pressure level is measured in accordance with JIS C 9 612 and JIS B 8616. * DELUXE series indoor units can only be connected to outdoor units of the same series.

4-WAY CASSETTE Dimensions

- A S-18PU3ZA/S-24PU3ZA
- B S-3443PU3ZA

- 1 Air intake
- 2 Discharge outlet
- 3 Refrigerant tubing (liquid tube)
- 4 Refrigerant tubing (gas tube)
- 5 Drain tube connection port VP25 (outer dia. ø32)
- 6 Power supply port
- 7 Suspension bolt hole (4-12×30 elongated hole)



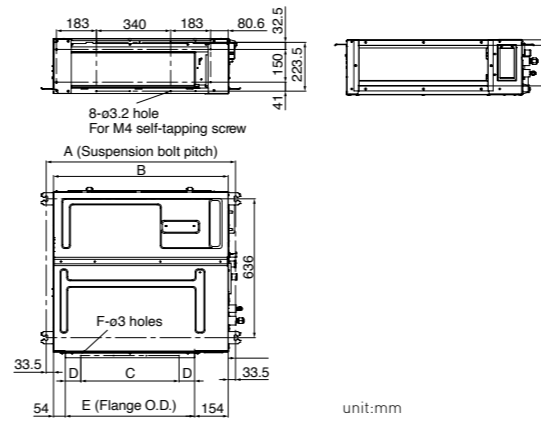
<Filter dimension> 520 x 520 x 15

ADAPTIVE DUCTED Dimensions

- S-1821PF3H/S-2430PF3H/S-3448PF3H

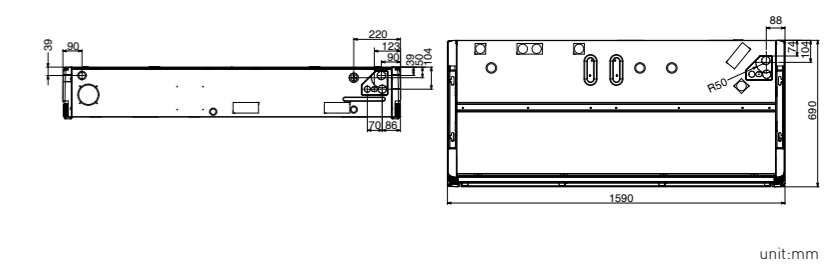
Detailed dimensions of indoor unit

Type	A	B	C	D	E	F
	mm	mm	mm	mm	mm	Qty
1821	867	800	450 (Pitch 150 × 3)	71	592	12
2430	1,067	1,000	750 (Pitch 150 × 5)	21	792	16
3448	1,467	1,400	1,050 (Pitch 150 × 7)	71	1,192	20



CEILING EXPOSED Dimensions

- S-3448PT3H



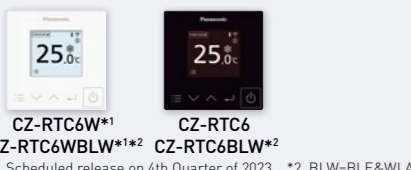
NX Series Remote Controller Information

Wireless Remote Controller

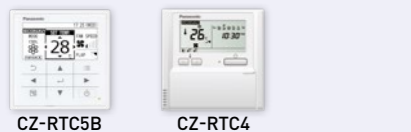
* For 4-Way Cassette & Ceiling Exposed



Wired Remote Controller



*1 Scheduled release on 4th Quarter of 2023. *2 BLW=BLE&WLAN

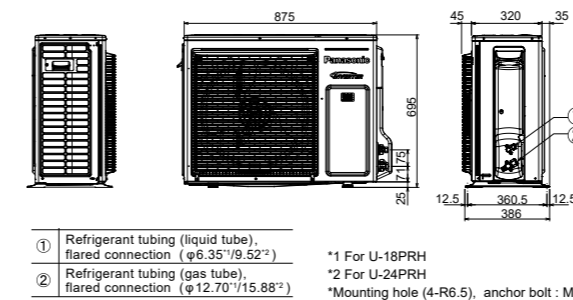


Feature Table

Function	Detail	CZ-RTC5B	CZ-RTC6W CZ-RTC6	CZ-RTC6BLW CZ-RTC6BLW	CZ-RTC4
Basic operation	ON/OFF, mode, temperature control, airflow volume, airflow direction	✓	✓	✓	✓
Timer function	Time display Weekly program timer	✓	—	✓	✓
Energy saving	Energy saving mode Econavi	✓	—	✓	✓
Maintenance	System failure info (alarm history) Alarm display Filter sign Test run Simple / Detail setting mode	✓	✓	✓	—
Others	Key lock Display contrast adjustment Quiet operation mode nanoe™ X	✓	✓	✓	—

OUTDOOR UNITS Dimensions

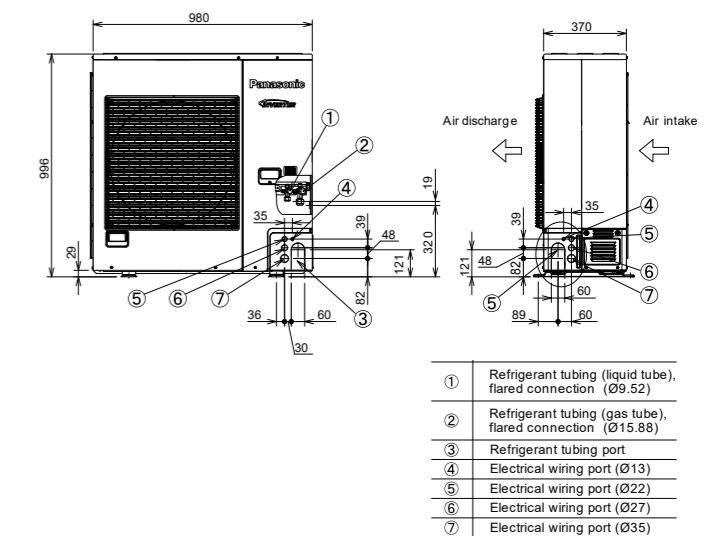
- U-18PRH1Z5/U-18PRH1H5/U-24PRH1Z5/U-24PRH1H5



- 1 Refrigerant tubing (liquid tube), flared connection (ø8.35"/ø9.52")
- 2 Refrigerant tubing (gas tube), flared connection (ø12.70"/ø15.88")

*1 For U-18PRH
*2 For U-24PRH
*Mounting hole (4-R6.5), anchor bolt : M10

- U-34PRH1Z5/U-43PRH1Z5/U-43PRH1H8/U-48PRH1H8



- 1 Refrigerant tubing (liquid tube), flared connection (ø9.52)
- 2 Refrigerant tubing (gas tube), flared connection (ø15.88)
- 3 Refrigerant tubing port
- 4 Electrical wiring port (ø13)
- 5 Electrical wiring port (ø22)
- 6 Electrical wiring port (ø27)
- 7 Electrical wiring port (ø35)

*Mounting hole (4-R6.5), anchor bolt : M10

unit:mm