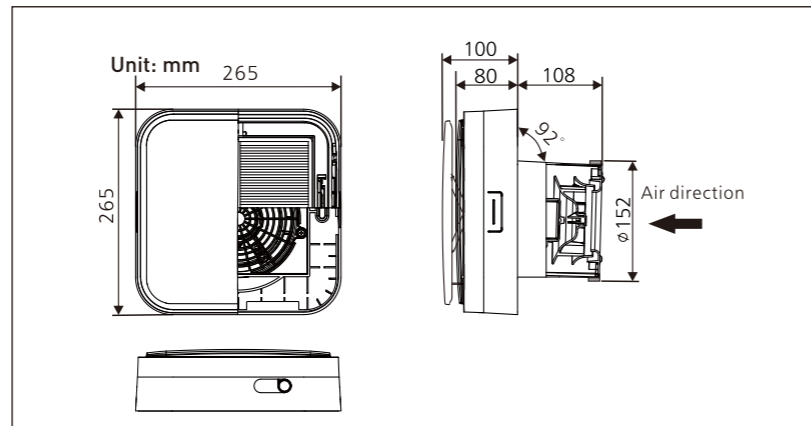


Supply Fan

FV-06PHP1



Dimensions



Features

- Particle filter with MERV13 rating captures PM2.5 particles effectively
- 2-speed selection
- Front panel can be closed to prevent back draft
- Well lubricated ball bearing for long life operation
- Elegant front panel fits most interior design

Specifications

Model No.	Voltage			Air Volume		Consumption	Noise	Weight	Installation Space
	[V]	[Hz]		[m³/h]	[CFM]				
FV-06PHP1	240	50	Hi	68	40	8.7	38	1.8	Ø164 - Ø168
			Lo	39	23	4.1	27		

Test Condition

- The power consumption, air volume and noise are measured with static pressure of 0 Pa and the installed pipe length of 300 mm
- Noise value is the weighted sound pressure grade A, which is the central value measured by this company, its tolerance range is from +3 dB to -7 dB. The method to measure is as follows: in an anechoic chamber, measure noise value first 1 m away the left, right and front of the same, then get the averaged value
- Air volume is the central value measured by this company with ± 10% of tolerance range

Terms & Conditions:
 • Specifications are subject to change without prior notice.
 • Actual colors may vary slightly from those shown.

Panasonic Malaysia Sdn Bhd
<https://www.panasonic.com/my>

CATALOG NO: P-VF029 (08.2024)

Panasonic



Be Fresh All Day
Refresh Everyday

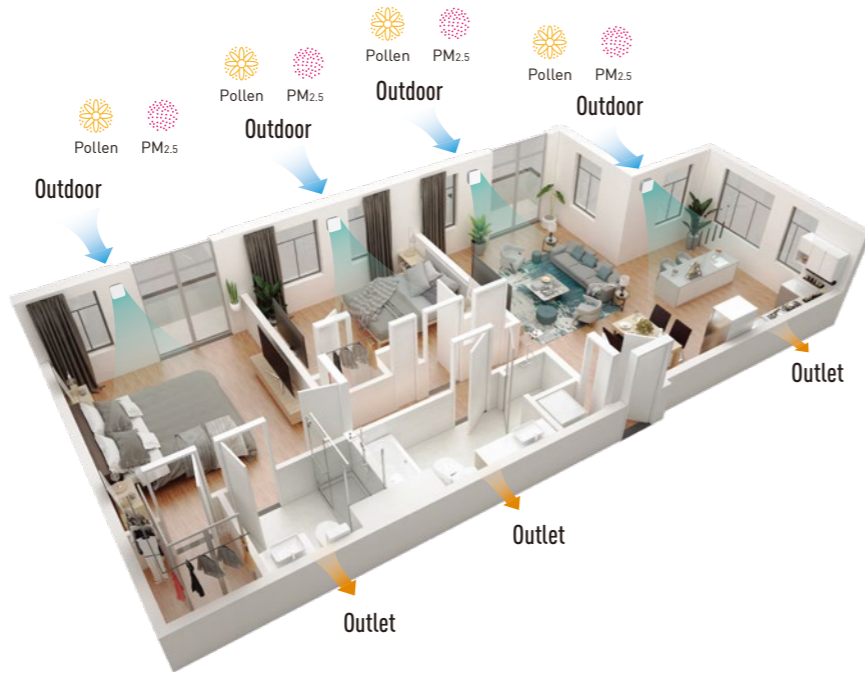


Supply Fan
FV-06PHP1



Bringing Clean Air Into Your Home Without Opening Window?

Normally when you need to draw fresh air into your living space, you would open windows and doors. However, outdoor pollutants also enter your home at the same time.



By using a supply fan, outdoor fresh air can be drawn in mechanically through a pipe and be purified with the equipped filter to achieve better indoor air quality and comfort.

Benefits of Adopting Supply Fan

1. Supplying Sufficient Fresh Air

Supplying fresh air can help to suppress the increase of carbon dioxide (CO₂) concentration indoor and prevent oxygen deficiency by ensuring sufficient oxygen intake through fresh air. It can improve the efficiency in both work and study, as well as sleep quality. These are factors highly contributing to an enhanced quality of life.



2. Blocking Outdoor Pollutants

Preventing outdoor pollutants like PM_{2.5} fine particulates is critical because they can be easily inhaled and cause serious health issues, which associate to the increased morbidity and mortality from cardiovascular and respiratory diseases.

With supply fan's filter, it can effectively block pollutants including PM_{2.5}, and others like pollen, dust and odor. It ensures your breathing air indoor is clean.

Feature Highlights

PM_{2.5} Purification

The fan comes with a particle filter with MERV13 rating that can capture PM_{2.5} particles up to 98%. The outdoor fresh air is purified before being drawn into indoor area which brings you a fresh and clean living environment.



Easy Maintenance

Snap-in front louver makes filter cleaning and replacement at ease.



2-speed Selection

With the optional switch, Hi-Lo speed can be changed easily to fit different environments.



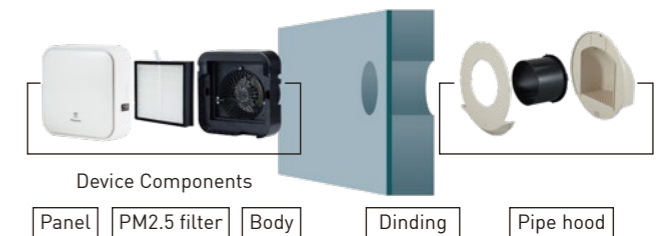
Power Supply Terminal



Switch (not supplied)

Easy Installation

The fan can be installed easily in an existing house with simple step. It is wall-mounted and no extra ducting is required.



Stylish Design

Simple and flat design of the front panel harmonizes with most interior designs perfectly.

