

FSV Controllers

A wide variety of control options to meet the requirements of different applications.

ECONAVI ECONAVI Sensor CZ-CENSC1



Utilises ECONAVI Sensor and Control Program technologies to detect where energy is normally wasted and self-adjusts cooling power to reduce energy waste.

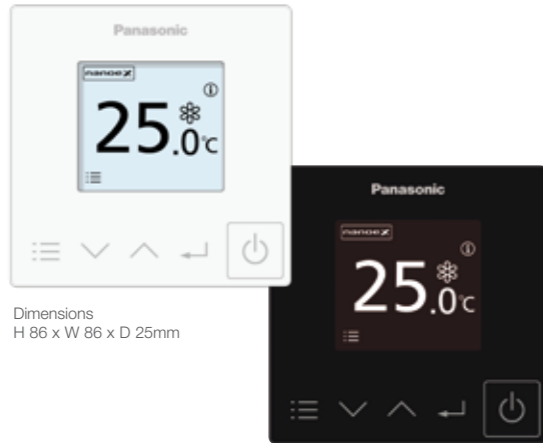
- Activity detection
- Absence detection

| Operation system | Individual control systems | | | |
|--|---|--|--|--|
| Requirements | Simplified high-spec operation | High-spec operation | Normal operation | Operation from anywhere in the room |
| External appearance | | | | |
| Type, model name | Simplified high-spec Wired Remote Controller with Bluetooth CZ-RTC6W/ *CZ-RTC6WBLW (White) CZ-RTC6/ *CZ-RTC6BLW (Black) *Available for particular types of VRF indoor units. | High-spec Wired Remote Controller CZ-RTC5B | Timer Remote Controller (Wired) CZ-RTC4A | Wireless Remote Controller Controller: CZ-RWS3 Receiver: CZ-RWRU3 CZ-RWRY3 CZ-RWRL3 CZ-RWRD3 CZ-RWRT3 CZ-RWRC3 |
| Built-in thermostat | ● | ● | ● | — |
| nanoe™ X on/off control | ● | ● | ● | ● |
| ECONAVI ON/OFF control | ● | ● | ● | ● |
| Number of indoor units which can be controlled | 1 group, 8 units | 1 group, 8 units | 1 group, 8 units | 1 group, 8 units |
| Use limitations | <ul style="list-style-type: none"> · CZ-RTC6(W) : Up to 2 controllers can be connected per group (only combination possible with CZ-RTC6(W)) · CZ-RTC6(W)BL/CZ-RTC6(W)BLW : Up to 1 controller can be connected per group | <ul style="list-style-type: none"> · Up to 2 controllers can be connected per group (When using ECONAVI sensor, only one remote controller is possible to connect at indoor unit) | <ul style="list-style-type: none"> · Up to 2 controllers can be connected per group (When using ECONAVI sensor, only one remote controller is possible to connect at indoor unit) | <ul style="list-style-type: none"> · Up to 2 controllers can be connected per group. |
| Function ON/OFF | ● | ● | ● | ● |
| Mode setting | ● | ● | ● | ● |
| Fan speed setting | ● | ● | ● | ● |
| Temperature setting | ● | ● | ● | ● |
| Air flow direction | ● | ● | ● | ● |
| Permit/Prohibit switching | — | — | — | — |
| Weekly program * | ● | ● | ● | — |

All specifications are subject to change without notice.
*(CZ-RTC6(W)BL/CZ-RTC6(W)BLW with H&C Control App)

| Timer operation | Centralised control systems | | | |
|---|--|--|--|--|
| Daily and weekly program | Operation with various functions from a central location | Only ON/OFF operation from a central location | Simplified load distribution ratio (LDR) for each tenant 10.4 in. touch screen panel color LCD | BMS System PC Base Connection with 3rd Party Controller |
| Schedule Timer | System Controller | ON/OFF Controller | Intelligent Controller | P-AIMS Software Up to 1024 units CZ-CSWKC2 Optional software CZ-CSWAC2 for Load distribution CZ-CSWWC2 for Web application CZ-CSWGC2 for Object layout display CZ-CSWBC2 for BACnet software interface *PC required (field supply) |
| CZ-ESWC2 | CZ-64ESMC3 | CZ-ANC3 | CZ-256ESMC3 (CZ-CFUNC2) | Seri-Para I/O unit for outdoor unit CZ-CAPDC2 Interface Adaptor CZ-CAPC3 Seri-Para I/O unit for each indoor unit CZ-CAPBC2 Communication Adaptor CZ-CFUNC2 LonWorks Interface CZ-CLNC2 |
| 64 groups, max. 64 units | 64 groups, max. 64 units | 16 groups, max. 64 units | 64 units x 16 systems, max. 256 units | |
| <ul style="list-style-type: none"> · Required power supply from the system controller · When there is no system controller, connection is possible to the T10 terminal of an indoor unit. | <ul style="list-style-type: none"> · Up to 10 controllers, can be connected to one system. · Main unit/sub unit (1 main unit + 1 sub unit) connection is possible. · Use without remote controller is possible. | <ul style="list-style-type: none"> · Up to 8 controllers (4 main units + 4 sub units) can be connected to one system. · Use without remote controller is impossible. | <ul style="list-style-type: none"> · A communication adaptor (CZ-CFUNC2) must be installed for three or more links. | |
| ● | ● | ● | ● | |
| — | ● | — | ● | |
| — | ● | — | ● | |
| — | ● | — | ● | |
| — | ● | — | ● | |
| — | ● | — | ● | |
| — | ● | ● | ● | |
| ● | ● | — | ● | |

**Simplified wired remote controller
(CZ-RTC6W / CZ-RTC6)**



Dimensions
H 86 x W 86 x D 25mm

**Deluxe wired remote controller
(CZ-RTC5B)**



Dimensions
H 120 x W 120 x D 16 mm

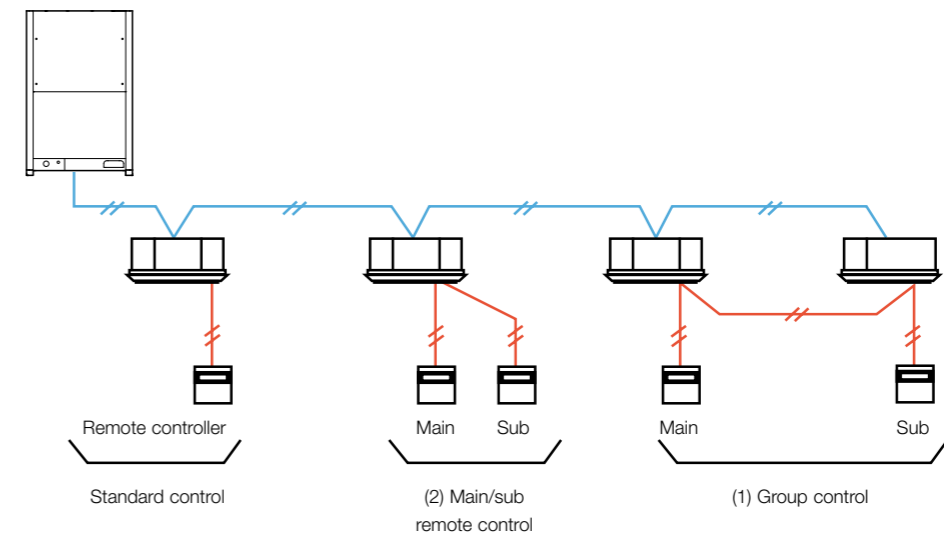
| | CZ-RTC6W/CZ-RTC6 | CZ-RTC5B |
|--|------------------|----------|
| Energy Saving | | |
| ECONAVI on/off | ● | ● |
| Temperature Auto Return | — | ● |
| Temperature Setting range | — | ● |
| Auto Shutoff | — | ● |
| Schedule peak cut | — | ● |
| Repeat off timer | — | ● |
| Basic Operation | | |
| Individual Louver Control(Lock individual flap for 4-WAY cassette) | — | ● |
| ON/OFF timer | — | ● |
| Weekly timer | — | ● |
| Filter information | ●* | ●* |
| Outing function | ● | ● |
| Quiet operation mode | — | ●* |
| Power consumption monitor | — | ●* |
| Energy saving | — | ●* |
| initial settings | — | ● |
| Ventilation | — | ● |
| nanoe™X | ●* | ●* |
| Maintenance Function | | |
| Outdoor unit error data | — | — |
| Service Contact address | — | — |
| RC setting mode | ● | ● |
| Test run | ● | ● |
| Sensor information | ●* | ●* |
| Service check | ● | ● |
| Simple/Detailed Settings | ● | ● |
| Auto address | ● | ● |
| Initial Settings | | |
| Rotation operation | — | ● |
| Backup operation | — | ● |
| Support operation | — | ● |

* Subject to the connected

Individual Control Systems

| Control contents | Part name, model No. | Quantity |
|---|---|-------------|
| Standard Control <ul style="list-style-type: none"> Control of the various operations of the indoor unit by wired or wireless remote controller. Cooling or heating mode of the outdoor unit is decided by the first priority of the remote controller. Switching between remote controller sensor and body sensor is possible. | Wired remote controller CZ-RTC4A,CZ-RTC5B,CZ-RTC6W,CZ-RTC6 Wireless remote controller + Receiver CZ-RWS3 (Wall Mounted/ Mini Cassette) CZ-RWS3 + CZ-RWRU3 (4-WAY Cassette) CZ-RWS3 + CZ-RWRL3 (2-WAY Cassette) CZ-RWS3 + CZ-RWRD3 (1-WAY Cassette) CZ-RWS3 + CZ-RWRT3 (Ceiling Mounted) CZ-RWS3 + CZ-RWRC3 (All split type) | 1 unit each |
| (1) Group control <ul style="list-style-type: none"> Batch remote control on all indoor units. Operation of all indoor units in the same mode. Up to 8 units can be connected. The sensor is the body sensor, and thermostat ON/OFF setting in regard to the temperature set by the remote controller is possible for each indoor unit. | Wired remote controller CZ-RTC4A,CZ-RTC5B,CZ-RTC6W,CZ-RTC6 Wireless remote controller + Receiver CZ-RWS3 (Wall Mounted/ Mini Cassette) CZ-RWS3 + CZ-RWRU3 (4-WAY Cassette) CZ-RWS3 + CZ-RWRL3 (2-WAY Cassette) CZ-RWS3 + CZ-RWRD3 (1-WAY Cassette) CZ-RWS3 + CZ-RWRT3 (Ceiling Mounted) CZ-RWS3 + CZ-RWRC3 (All split type) | 1 unit |
| (2) Main/sub remote control <ul style="list-style-type: none"> Max 2 remote controllers per indoor unit. (Main remote controller can be connected) The button pressed last has priority. Timer setting is possible even with the sub remote controller. (When using ECONAVI sensor, only one remote controller is possible to connect at indoor unit) | Wired remote controller CZ-RTC4A,CZ-RTC5B,CZ-RTC6W,CZ-RTC6 Wireless remote controller + Receiver CZ-RWS3 (Wall Mounted/ Mini Cassette) CZ-RWS3 + CZ-RWRU3 (4-WAY Cassette) CZ-RWS3 + CZ-RWRL3 (2-WAY Cassette) CZ-RWS3 + CZ-RWRD3 (1-WAY Cassette) CZ-RWS3 + CZ-RWRT3 (Ceiling Mounted) CZ-RWS3 + CZ-RWRC3 (All split type) | As required |

SYSTEM EXAMPLE FSV



NOTE: Connectable number of controllers, controller combination, connectable indoor units, remote control maximum wiring length are different between the controller. Please confirm the installation instructions of controller or consult with Panasonic service center.

Timer remote controller (CZ-RTC4A)



Dimensions
H 120 x W 120 x D 20 mm

Time Function 24 hours real time clock

- Day of the week indicator.

Weekly Programme Function

- A maximum of 6 settings/day and 42 settings/week can be programmed.

Outing Function

- This function can prevent the room temperature from dropping or rising when the occupants are out for a long time.

Sleeping Function

- This function controls the room temperature for comfortable sleeping.

Max. 8 indoor units can be controlled from one remote controller

Remote control by main remote controller and sub controller is possible

* Depending on the model, some menus cannot be used.

Max. 2 remote controllers (main remote controller and sub controller) can be installed for one indoor unit.

Basic remote controller ON/OFF

- Operation mode changeover (Cooling, Heating, Dry, Auto, Fan).
- Temperature setting (Cooling/Dry: 18-30 deg Heating: 16-30 deg).
- Fan speed setting H/ M/ L and Auto.
- Air flow direction adjustment.
- nanoe™ X on/off control
- ECONAVI on/ off*

Wireless remote controller



Remote control by main remote controller and sub controller is possible

- Max. 2 remote controllers (main remote controller and sub controller) can be installed for one indoor unit.

When CZ-RWS3 is used, wireless control becomes possible for all indoor units

- When a separate receiver is set up in a different room, control from that room also becomes possible.
- Automatic operation by means of the emergency operation button is possible even when the remote controller has been lost or the batteries have been exhausted.

In addition, there are other functions such as temperature setting, operation switching, airflow direction/fan speed setting, etc

Ventilation independent operation is possible

When commercial ventilation fans or heat-exchange ventilation fans have been installed, they can be operated with this remote control (interlocked operation with the indoor unit or independent ventilation ON/OFF).

Timer Operation

Schedule timer (CZ-ESWC2)



Dimensions
H 120 x W 120 x D 16 mm

- A function for pausing the timer in case of national holidays has been added, and timer operation also can be stopped for a long time

- By setting holidays or operation stop within one week, the timer can be paused just for that week.
- All timer settings can be stopped with the timer "ON/OFF effective" button. (Return to timer operation is made by pressing the button again.)

Up to 64 groups (max 64 indoor units) can be controlled divided into 8 timer groups

• Six program operations (Operation/Stop/ Local permission/ Local prohibition) per day can be set in a program for one week

- Only operation or stop, remote controller local permission or remote controller local prohibition, and their respective combinations are possible. (Operation + local permission, stop + local prohibition, only local permission, etc.)
- Local prohibition and the combination of the three items of temperature setting, mode change, and operation/stop can be set at the time of installation.

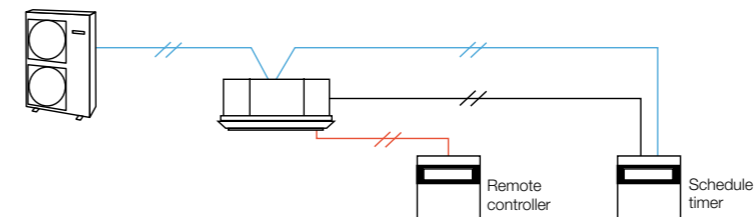
The power supply for the schedule timer is taken from one of the following.

1. Control circuit board (T10) of a nearby indoor unit (power supply wiring length: within 200m from the indoor unit).
2. System controller (power supply wiring length: within 100 m from the indoor unit).

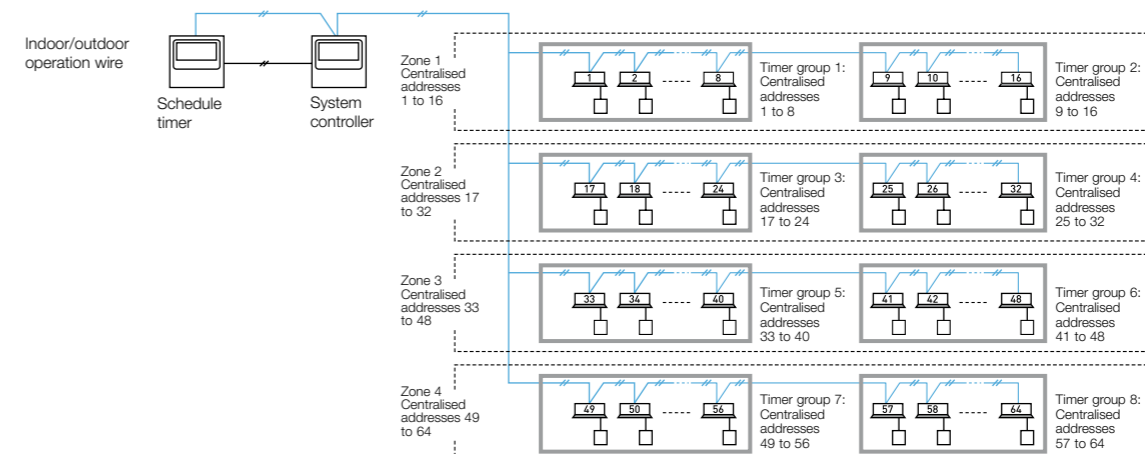
When the power supply for the schedule timer is taken from the control circuit board of the indoor unit, that indoor unit cannot be used with other control devices using the T10 terminal.

As operation mode and temperature settings are not possible with the schedule timer, it must be used together with a remote controller, a system controller, an intelligent controller, etc. Also, as it does not have an address setting function, the control function of a system controller etc. must be used for address setting.

Connection example 1 (POWER SUPPLY FROM THE INDOOR UNIT)

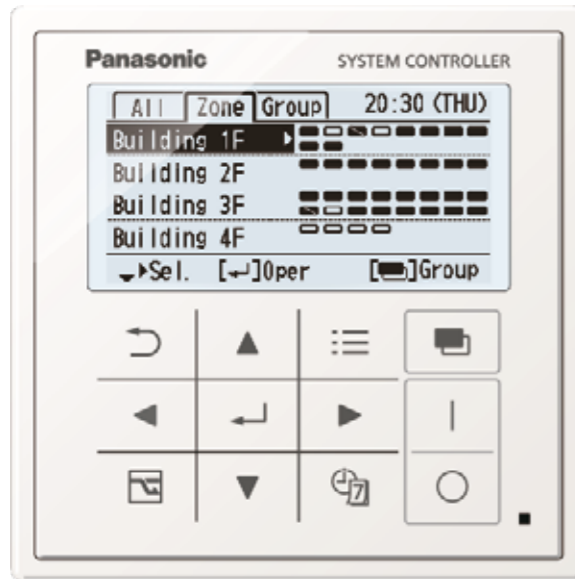


Connection example 2 (POWER SUPPLY FROM THE SYSTEM CONTROLLER AND ON/OFF CONTROLLER)



Centralised Control Systems

System controller (CZ-64ESMC3)



Dimensions
H 120 x W 120 x D 16 + 52
(embedding dimension mm)

Power supply: AC 100 to 240 V
I/O part:
Remote input part (effective voltage:DC24V) All operation, All stop, Demand 1, Demand 2
Remote output part (non voltage contact) Operation, Alarm (external power supply within DC 30V, max 0.5A)
Total wiring length : 1 km

Individual control is possible for max 64 groups, 64 indoor units.

- Control of 64 indoor units divided into 4 zones. (One zone can have up to 16 groups, and one group can have up to 8 units.)
- Control is possible for ON/OFF, operation mode, fan speed, air flow direction, operation monitoring, alarm monitoring, ventilation, remote controller local operation prohibition, etc.

Prohibition setting for Remote controller operation

| Setting mode | ON/OFF | Mode | Temperature | Fan speed | Flap |
|--------------|--------|------|-------------|-----------|------|
| Permit | ● | ● | ● | ● | ● |
| Prohibit 1 | — | ● | ● | ● | ● |
| Prohibit 2 | — | — | — | ● | ● |
| Prohibit 3 | ● | — | — | ● | ● |
| Prohibit 4 | ● | — | ● | ● | ● |

In case of joint use with a wireless remote controller, there are limitations for the control mode. Please use only with setting "Permit" and "Prohibit1 (prohibition for ON/OFF)".

*Contents for Prohibit 1-4 can be modified.
● : Operation from the remote controller is possible.
— : Operation from the remote controller is prohibited.

- Joint use with a remote controller, an intelligent controller, etc. is possible**
(The maximum number of connectable system controllers is 10, including other central controllers on the same circuit.)
(In case of joint use with a wireless remote controller, there are limitations for the control mode. Please use only with setting "Permit" and "Prohibit1 (prohibition for ON/OFF)".)
- Control of systems without a remote controller and of main/sub systems (a total of up to 2 units) is possible**
- Weekly timer function**
 - 8 programs per day (with ON/OFF/Mode/Temperature/Central control setting items) for 1week (7days) can be set.
 - Special holiday setting can ignore the timer operation temporary by keeping original timer setting. (Special holiday setting can be removed by same setting display.)
- 5 types of Energy saving function**
Set temperature automatic return / Set temperature range limitation / Off remind / Off timer operation / Demand control timer

- A control mode corresponding to the use condition can be selected from 10 patterns

A : Operation mode: Central control mode or remote control mode can be selected

Central control mode: The system controller is used as centralised control device. (Setting from a remote controller can be prohibited by prohibiting local operation from the system controller.)

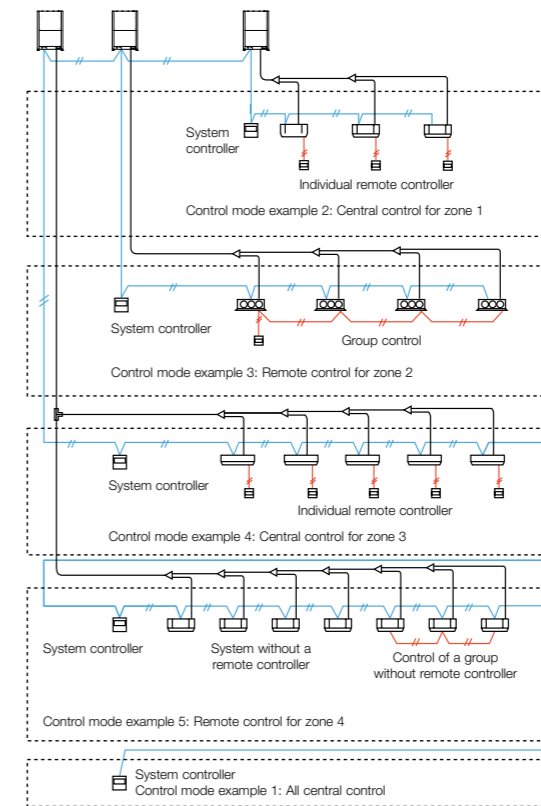
Remote control mode: The system controller is used as a remote controller. (Setting from the system controller can be prohibited by prohibiting local operation from another central control unit.)

B : Controlled unit number mode: All mode or zone 1, 2, 3, 4 mode can be selected

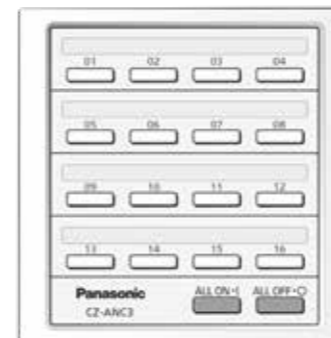
All mode: All, zone, or group unit can be selected.

Zone 1, 2, 3, 4 mode: Setting is possible only for the indoor units of zone 1, 2, 3, or 4.

| Connection example | | A Operation mode | |
|-------------------------------|-------------|----------------------------------|---------------------------------|
| | | Central control mode | Remote control mode |
| B Controlled unit number mode | All mode | All central control Example 1 | All remote control |
| | Zone 1 mode | Zone 1 central control Example 2 | Zone 1 remote control |
| | Zone 2 mode | Zone 2 central control Example 3 | Zone 2 remote control Example 3 |
| | Zone 3 mode | Zone 3 central control Example 4 | Zone 3 remote control |
| | Zone 4 mode | Zone 4 central control Example 5 | Zone 4 remote control Example 5 |



ON/OFF controller (CZ-ANC3)



Dimensions
H 121 x W 122 x D 14 + 52
(embedding dimension mm)

Power supply: AC 100 to 240 V
I/O part:
Remote input (effective voltage: within DC 24 V): All ON/OFF
Remote output (allowable voltage: within DC 30 V): All ON, All alarm

- 16 groups of indoor units can be controlled.
- Collective control and individual group (unit) control can also be performed.
- Up to 8 ON/OFF controller (4 main, 4 sub) can be installed in one link system.
- The operation status can be determined immediately.

Intelligent controller (CZ-256ESMC3)



Touch panel

Dimensions
H 240 x W 280 x D 85 mm
Power supply AC 100 to 240 V (50/60 Hz)
LCD: 10.4 in. TFT, XGA(1024 x 768), LED backlight

Product Features

- **10.4 in., Large, easy-to-use color LCD**
 - With smartphone like operations, such as swiping and flicking
- **Enhanced energy-saving control functions**
 - Packed with demand functions
 - Set temperature auto return settings, Auto shutoff, Set temperature range limit settings
- **Energy Visualization**
 - Displays electricity & gas usage distribution
 - Supports energy-saving plans with graph display function

New Features

- **Max 256 indoor unit [4 links x 64 units] can be controlled. In case of three or more systems [more than 128 units], a communication adaptor CZ-CFUNC2 must be installed for three or more links.**
- Operation is possible as batch, in zone units, and in group units.
- ON/OFF, operation mode setting, temperature setting, for fan speed setting, air flow direction setting (when used without a remote controller) and remote controller local operation prohibition [prohibition 1,2,3,4] can be done
- Graph display [trends, comparisons]
- ECONAVI ON/OFF

- Outdoor unit quiet operation ON/OFF
- Energy-saving Functions
- Event control [such as equipment linkage]
- Limitation contents for prohibited operation

Prohibition means limitation of the operation contents from the remote controller. It is also possible to change the prohibition items.

Limitation contents (Limitations can be user defined)

- Individual There is no limitation for the operation of the remote controller. However, the contents will be changed to the contents of the controller operated last. (Last-pressed priority.)
- Prohibition 1 The remote controller cannot be used for ON/OFF. (All other operations are possible from the remote controller.)
- Prohibition 2 The remote controller cannot be used for ON/OFF, operation mode change and temperature setting. (All other operations are possible from the remote controller.)
- Prohibition 3 The remote controller cannot be used for operation mode change and temperature setting. (All other operations are possible from the remote controller.)
- Prohibition 4 The remote controller cannot be used for operation mode change. (All other operations are possible from the remote controller.)

Remote Control

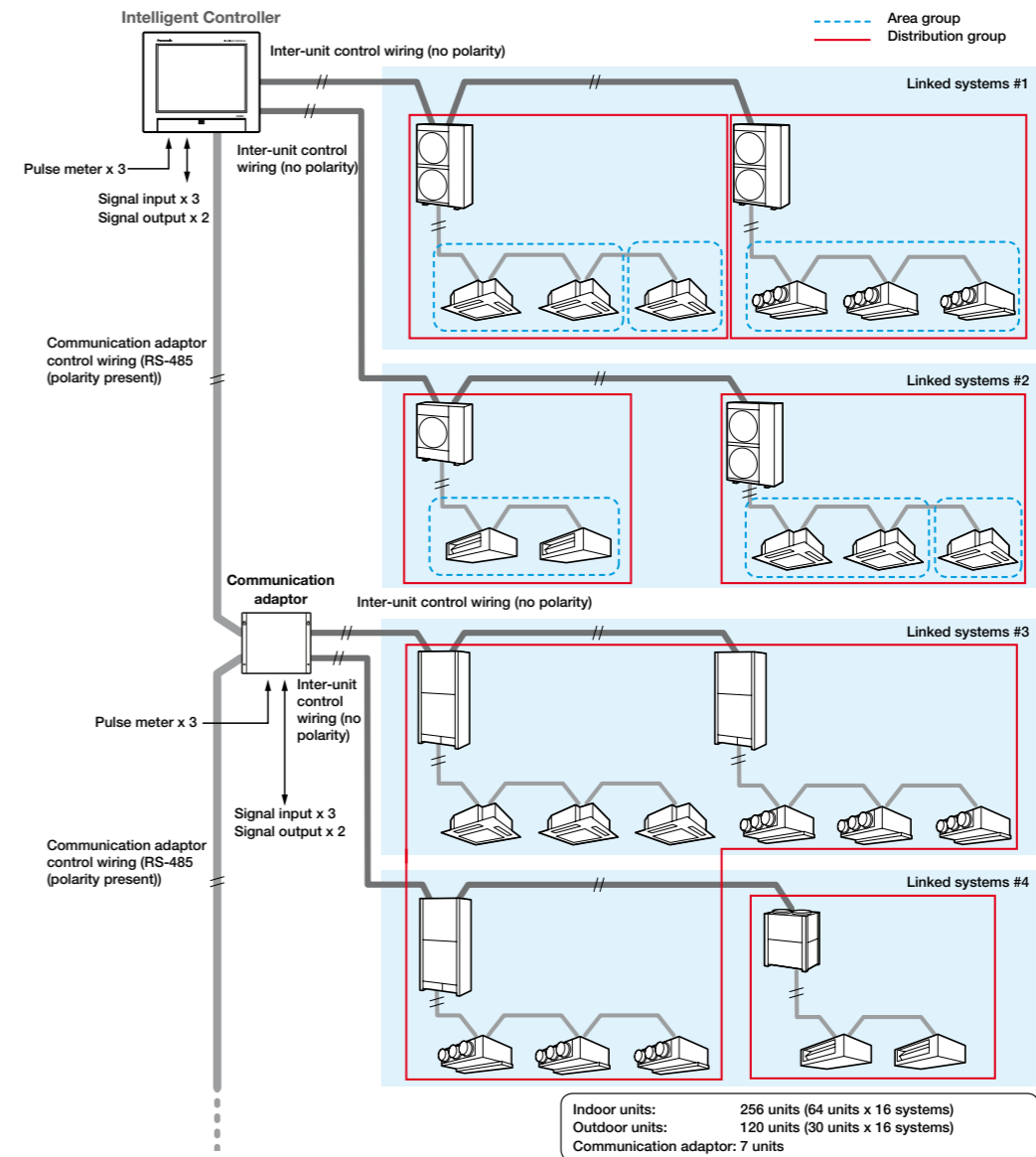
The LAN terminal on this unit enables you to connect it to a network. Connecting to internet will enable you to operate the unit and check the status using a PC from remote location.



Display image on the remote PC is same design as the controller unit.

System configuration

The following is an example of a system configuration.



Communication adaptor (CZ-CFUNC2)



* Required when more than 129 indoor units are connected.



Panasonic total air conditioning management system P-AIMS

P-AIMS Basic software / CZ-CSWKC2

Up to 1024 indoor units can be controlled by one PC

Functions of basic software

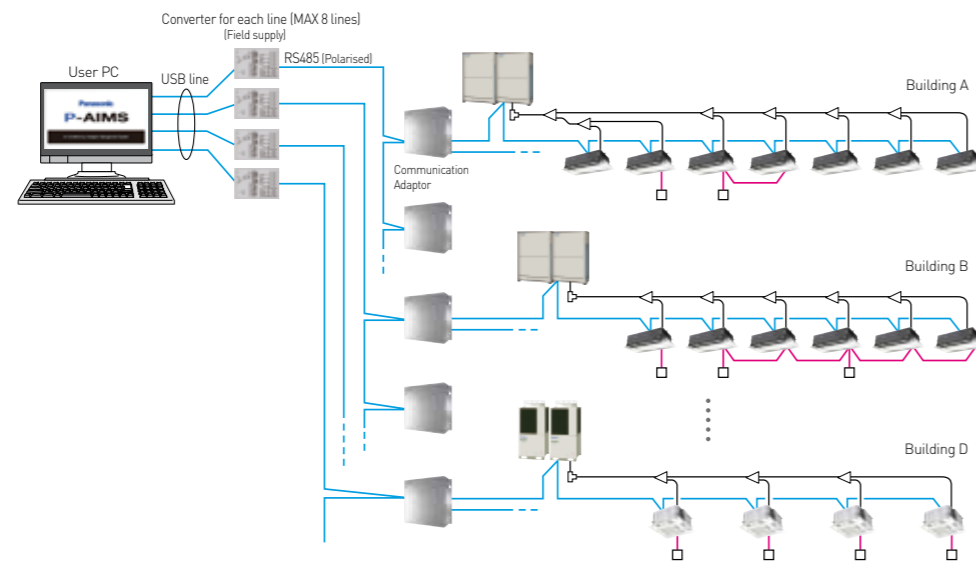
- Standard remote control for all indoor units
- Many timer schedule programs can be set on the calendar
- Detailed information display for alarms
- CSV file output with alarm history, operating status.
- Automatic data backup to HDD



With 4 upgrade packages the basic software can be upgraded to suit individual requirements



The P-AIMS is ideal for large areas/buildings such as shopping centers, universities and office buildings. Each line can have max.8C/A units, and control max.512 units. In total, 1024 indoor units can be controlled by 1 "P-AIMS" PC.



Recommended computer specs (Desktop type)

| | |
|--------------------|--|
| Operating system | Windows 10 Pro 64bit |
| CPU | Intel Core™ i5-6500 3.20GHz or higher (Recommended computer) Intel Core™ i7-7700 3.60GHz or higher (When installing Layout Display Software or using 512 or more indoor units) |
| Memory | 8GB or larger |
| HDD | SSD (Solid State Drive) 250GB or larger |
| Monitor | 1920 x 1080 (full HD) Recommended (1280 x 1024 (SXGA) minimum) 1920 x 1080 (full HD) Required (when installing Layout Display Software) |
| External HDD | 500GB or larger (An external power supply type is preferable because the HDD will be used for backing up data.) |
| LAN | Network adaptor equipped machine (when Web Software or BACnet Communication Software installed) |
| UPS (Field Supply) | Select a UPS with a sine output wave form |

P-AIMS optional software CZ-CSWAC2 for Load distribution

Load distribution calculation for each tenant

- Air-conditioner load distribution ratio is calculated for each unit (tenant) with used energy consumption data (m3, kWh).
- Calculated data is stored with CSV type file.
- Data of last 365 days is stored



P-AIMS optional software CZ-CSWWC2 for Web application

Web access & control from remote station

- Accessing P-AIMS software from remote PC.
- You can monitor/operate FSV systems by using Web browser (Internet Explorer).



P-AIMS optional software CZ-CSWGC2 for Object layout display

Whole system can be controlled visually

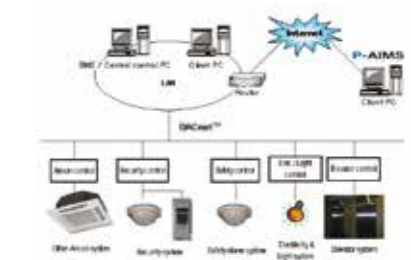
- Operating status monitor is available on the layout display.
- Object's layout and indoor unit's location can be checked at once.
- Each unit can be controlled by virtual remote controller on the display.
- Max 4 layout screens are shown at once.



P-AIMS optional software CZ-CSWBC2 for BACnet software interface

Connectable to BMS system

- Can communicate with other equipment by BACnet protocol.
- FSV systems can be controlled by both BMS and P-AIMS.
- Max 255 indoor units can be connected to 1 PC (that has P-AIMS basic & BACnet software).



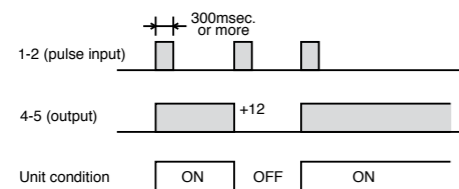
T10 Terminal for External Control (Digital Connection)

Connecting an FSV indoor unit to an external device is easy. The T10 Terminal featured in the electronic circuit board of all indoor units enables digital connection to external devices.



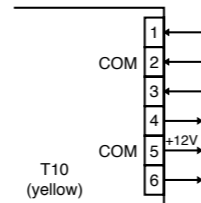
1. T10 Terminal Specification (T10:CN061 at indoor unit PCB)

- Control items: 1. Start/stop input (eg hotel key card, push button operation)
- 2. Remote controller prohibit input
- 3. Operation status output (eg fresh air fan)
- 4. Fault status output



NOTE: The wire length from indoor unit to the Relay must be within 2.0m. Pulse signal changeable to static with JP cutting. (Refer to JP001)

Example of wiring



Condition

- 1-2 (Pulse input): Unit ON/OFF condition switching with a pulse signal. (1 pulse signal: shortage status more than 300msec.or more)
- 2-3 (Static input): Open/ Operation with Remote is permitted.(Normal condition) Close/ Remote controller is prohibited.
- 3-4-5 (Static output): 12V output during the unit ON. / No output at OFF.
- 4-5-6 (Static output): 12V output when some errors occur / No output at normal.

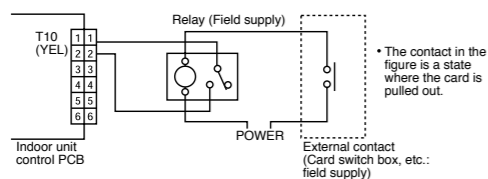
2. Usage Example

Forced OFF control

Condition

1-2 (Static input): Close/ Operation with Remote is permitted. (Normal condition) Open/ Unit is forcibly OFF and Remote controller operation is prohibited.

Example of wiring



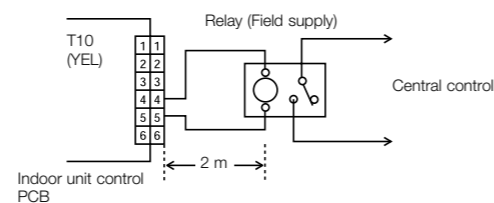
NOTE: The wire length from indoor unit to the Relay must be within 2.0m

Operation ON/OFF signal output

Condition

4-5 (Static output): 12V output during the unit ON / No output at OFF

Example of wiring



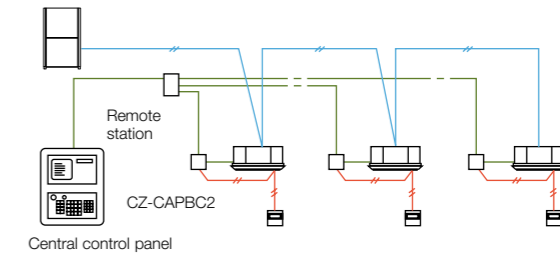
NOTE: The wire length from indoor unit to the Relay must be within 2.0m. Pulse signal changeable to static with JP cutting. (Refer to JP001)

Interfaces for External Control (Digital Connection)

Seri-Para I/O unit for each indoor unit (CZ-CAPBC2)



System example

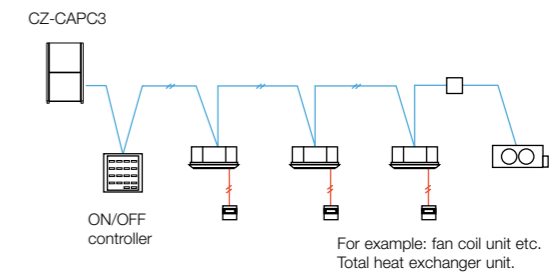


- Control and status monitoring is possible for individual indoor unit (1 group).
- In addition to operation and stop, there is a digital input function for air speed and operation mode.
- Temperature setting and measuring of the indoor suction temperature can be performed from central monitoring.
- The analog input for temperature setting is 0 to 10 V, or 0 to 140 Ohm.
- Power is supplied from the T10 terminal of the indoor units.
- Separate power supply also is possible (in case of suction temperature measuring).

Interface adaptor (CZ-CAPC3)



System example

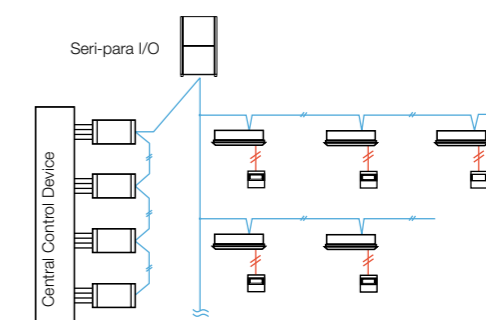


- Control and status monitoring is possible for individual indoor unit (or any external electrical device up to 250 V AC, 10 A) by contact signal.

Seri-Para I/O unit for outdoor unit (CZ-CAPDC2)



System example

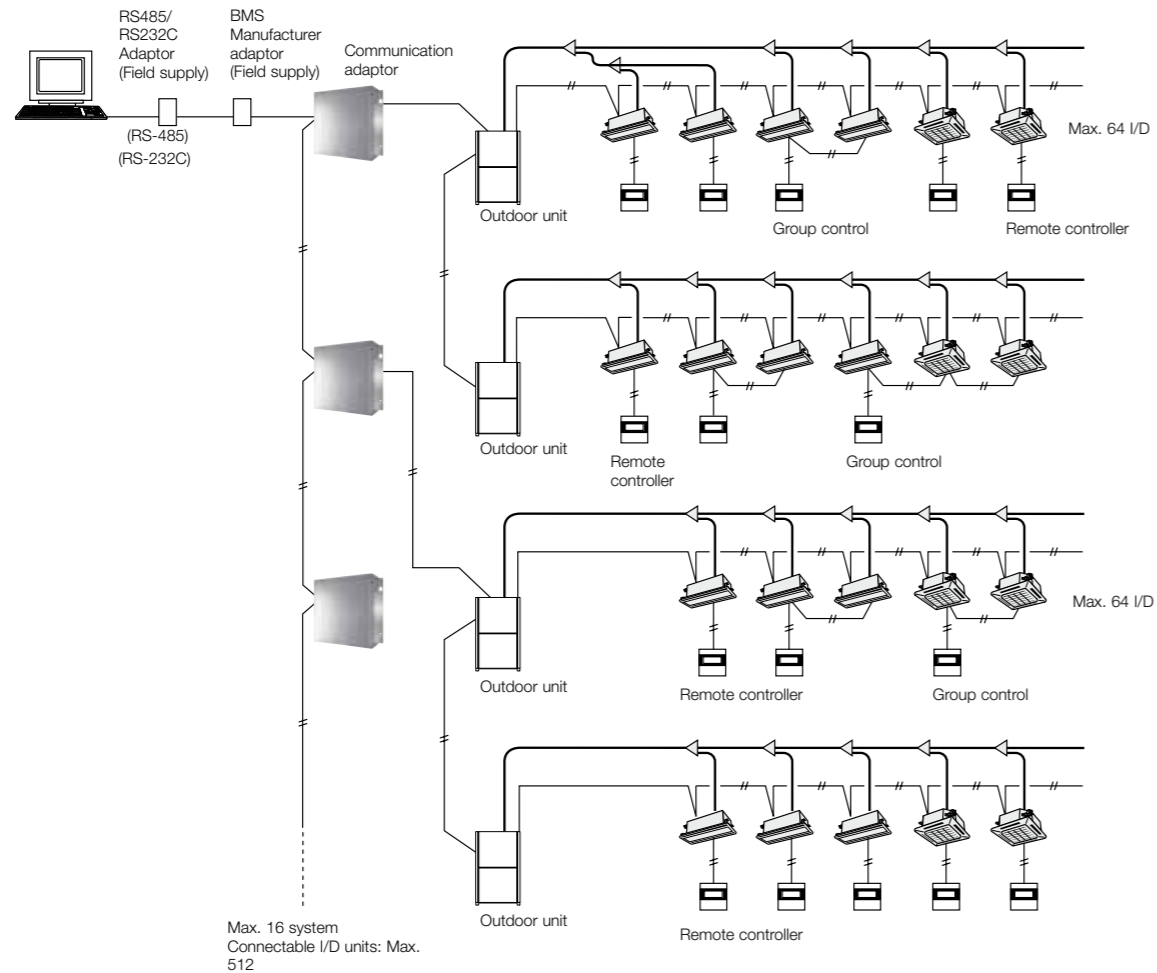


- Dimensions: H 80 x W 290 x D 260 mm
- Power supply: Single phase 110-120/220-240 V (50/60 Hz), 18 W
- Input: Batch operation/Batch stop (non-voltage contact/DC 24 V, pulse signal), Cooling/Heating (non-voltage contact/static signal), Demand 1/2 (non-voltage contact/static signal) (Local stop by switching)
- Output: Operation output (non-voltage contact), Alarm output (non-voltage contact)
- Wiring length: Indoor/Outdoor operation lines: Total length 1 km. Digital signal: 100 m or shorter

- This unit can control up to 4 outdoor units.
- From the centre control device, mode changing and batch operation/batch stop are possible.
- Required for demand control.

Serial Interface for 3rd Party External Controller

Example of 3rd party BMS connection with CZ-CFUNC2
(For the detail please consult to authorized dealer)



| Functions via communication adaptor [CZ-CFUNC2] | |
|---|--------------------------|
| A/C unit settings | Unit ON/OFF |
| | Mode-change |
| | Room temperature setting |
| | Fan speed setting |
| | Flap setting |
| | Central control setting |
| | Filter-sign clear |
| | Alarm reset |
| A/C unit status | Unit ON/OFF status |
| | Operation mode |
| | Setting temperature |
| | Fan speed status |
| | Flap status |
| | Central control setting |
| | Filter-sign situation |
| | Alarm code |

Communication Adaptor (CZ-CFUNC2)

Up to 128 indoor units can be connected to one Communication Adaptor.

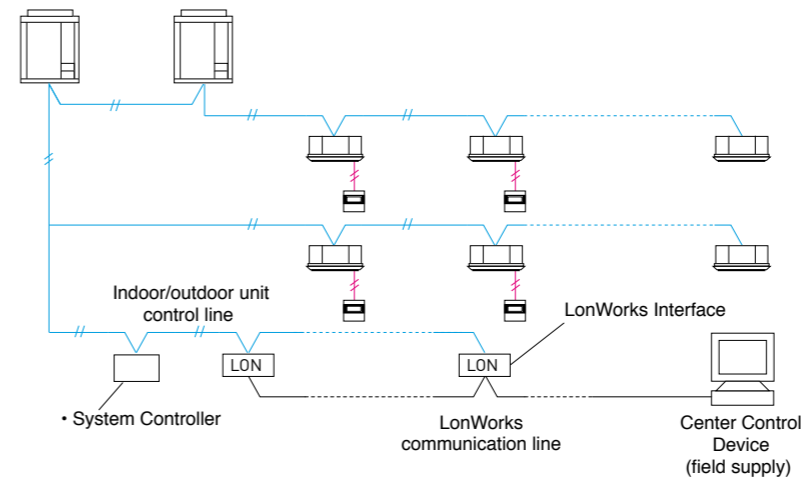
Serial Interface for LonWorks Network

LonWorks Interface (CZ-CLNC2)



- This interface is a communications converter for connecting LonWorks to the control network of FSV.
- From the host connected to LonWorks, basic settings and status monitoring is possible for up to 16 groups of indoor units.

System example

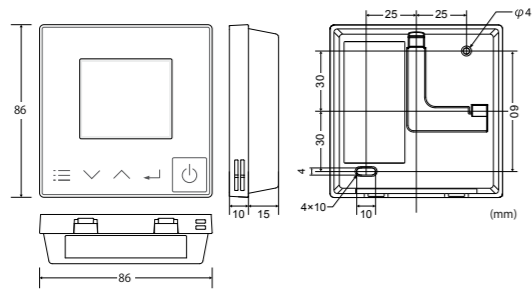


Functions

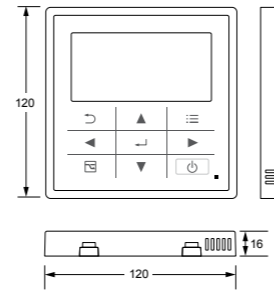
| | | |
|---|---|---------------------------------------|
| A/C unit settings from the LonWorks communicator | Settings for each group of indoor units | Start/stop |
| | | Temp. setting |
| | | Operation mode |
| | | Option 1 settings |
| | | Option 2 settings |
| A/C unit status notifications made to the LonWorks communicator | Settings for all units | Emergency stop |
| | | Start/stop |
| | | Temp. setting |
| | | Operation mode |
| | | Option 1 settings |
| | | Option 2 settings |
| | | Alarm status |
| | | Indoor units with active alarms |
| | | Room temp. |
| | | A/C unit status |
| Configuration properties | | Transmission intervals settings |
| | | Minimum time secured for transmission |

FSV Controller External Dimensions

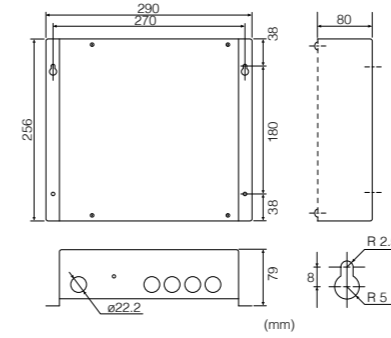
SIMPLIFIED WIRED REMOTE CONTROLLER
(CZ-RTC6W/CZ-RTC6)



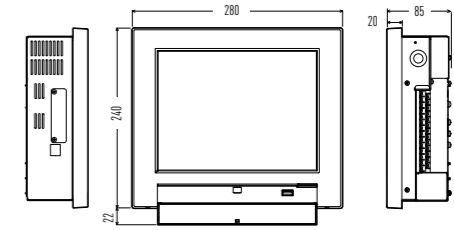
HIGH-SPEC WIRED REMOTE CONTROLLER
(CZ-RTC5)



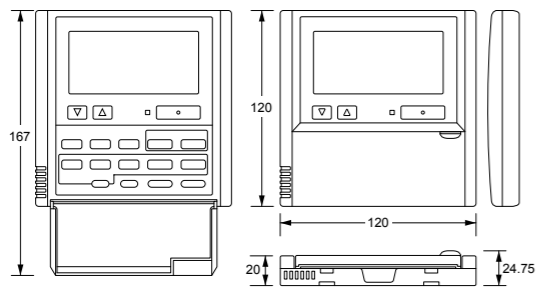
COMMUNICATION ADAPTOR
(CZ-CFUNC2)



INTELLIGENT CONTROLLER
(CZ-256ESMC3)



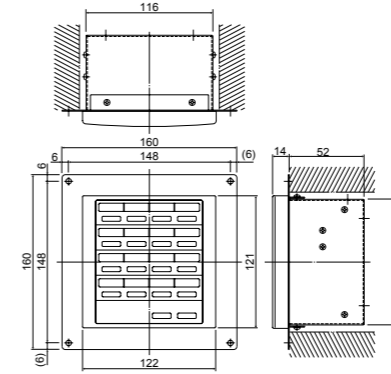
TIMER REMOTE CONTROLLER
(CZ-RTC4A)



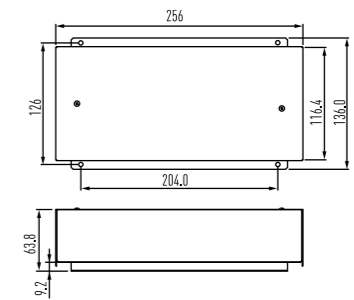
WIRELESS REMOTE CONTROLLER
(CZ-RWS3)



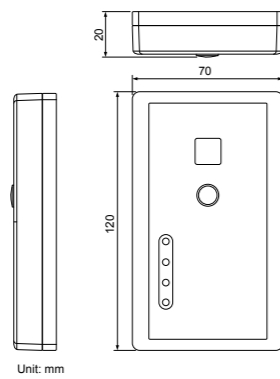
ON/OFF CONTROLLER
(CZ-ANC3)



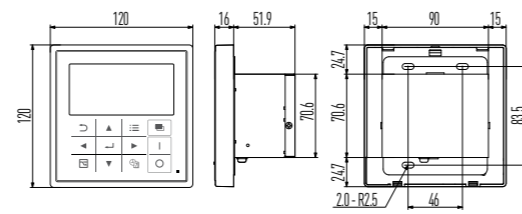
SERI-PARA I/O UNIT FOR EACH INDOOR UNIT
(CZ-CAPBC2)



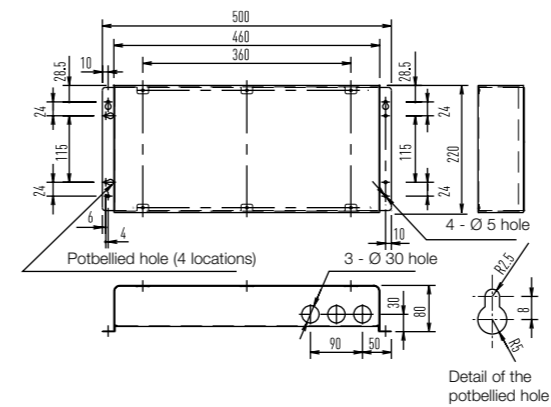
SEPARATE RECEIVER FOR WIRELESS REMOTE CONTROLLER
(CZ-RWSC3)



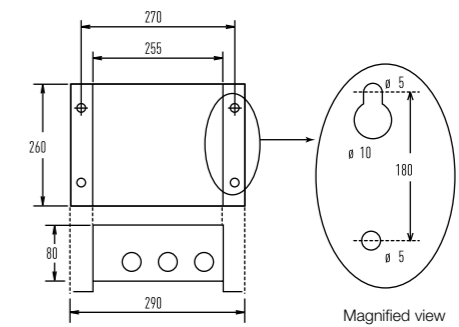
SYSTEM CONTROLLER
(CZ-64ESMC3)



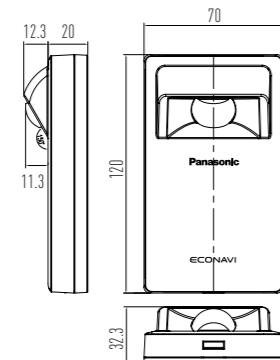
LONWORKS INTERFACE
(CZ-CLNC2)



SERI-PARA I/O UNIT FOR OUTDOOR UNIT
(CZ-CAPDC2)



ECONAVI SENSOR
(CZ-CENSC1)



REMOTE SENSOR
(CZ-CSRC3)

