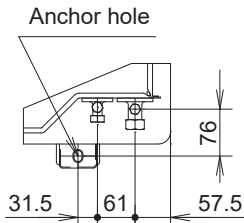
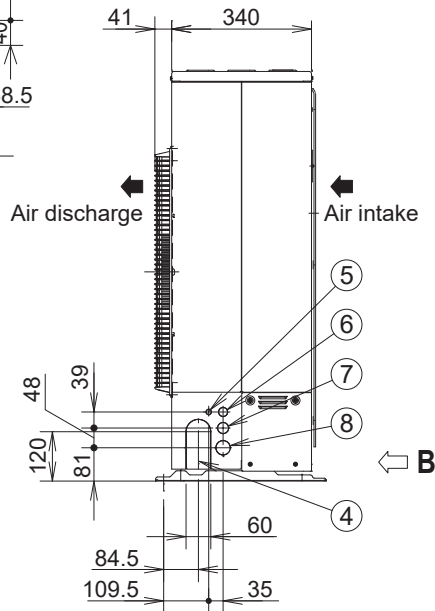
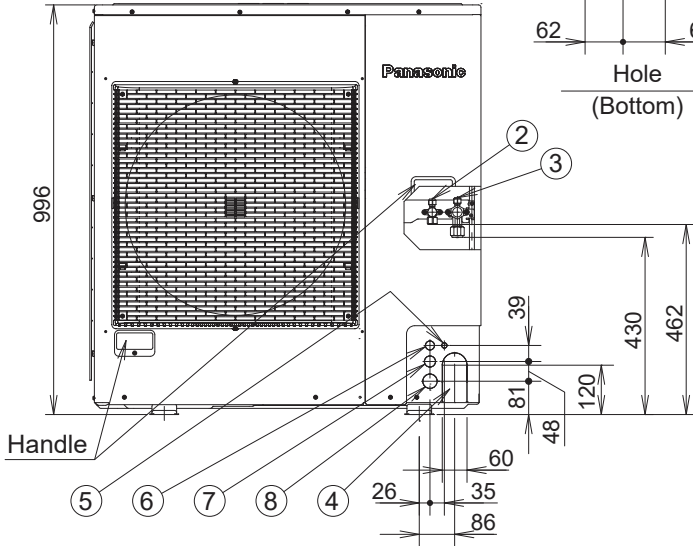
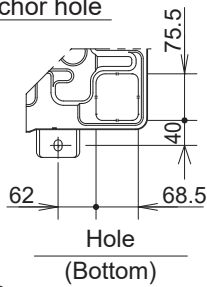
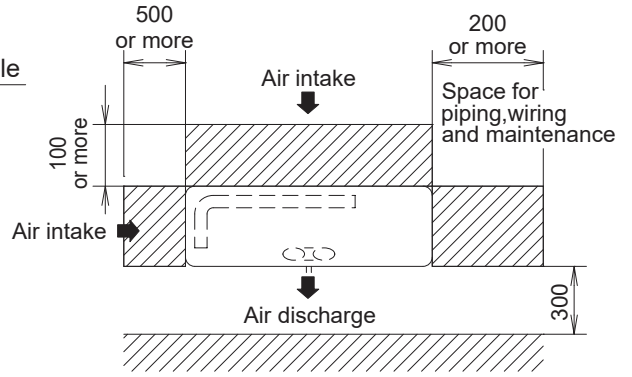
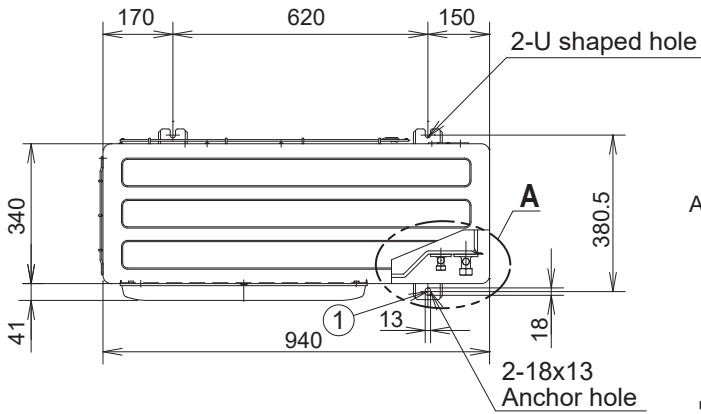
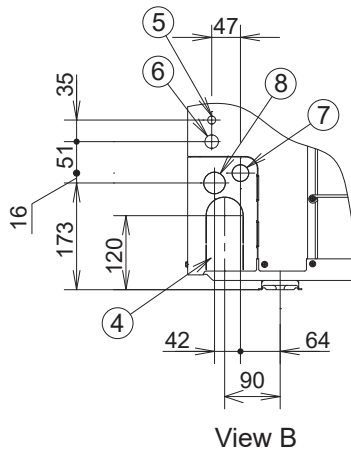


1-2-2-2. PZH3 U-71PZH3R5

Unit:mm



Enlarged view A  
Refrigerant piping  
end connection



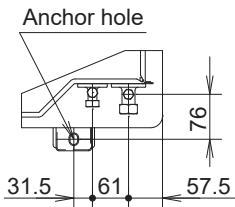
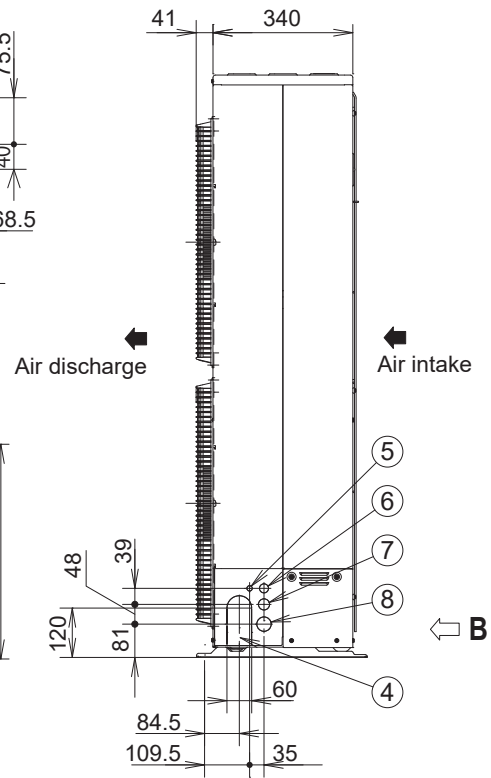
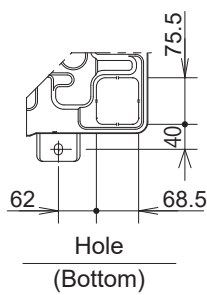
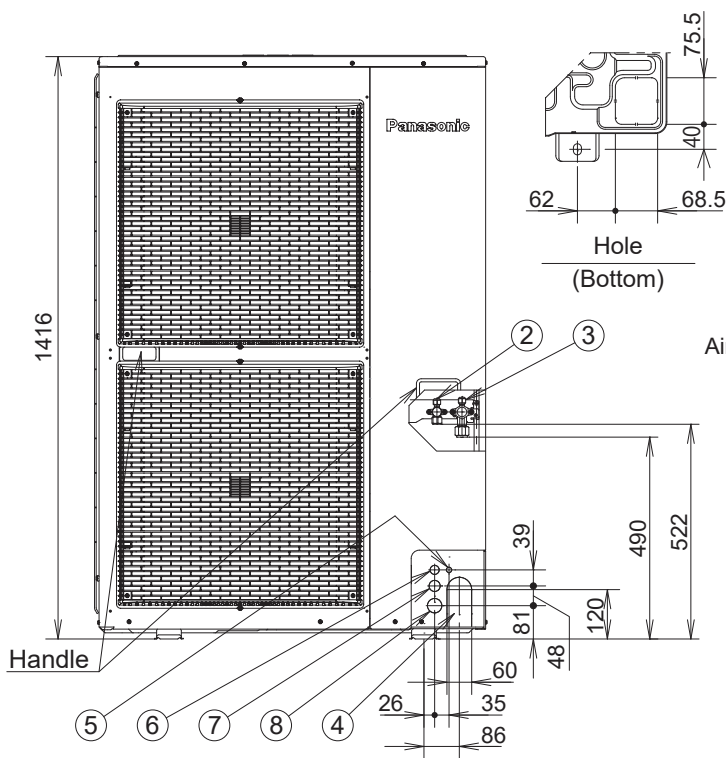
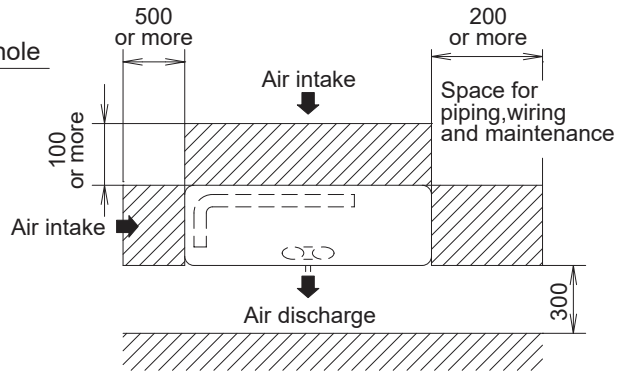
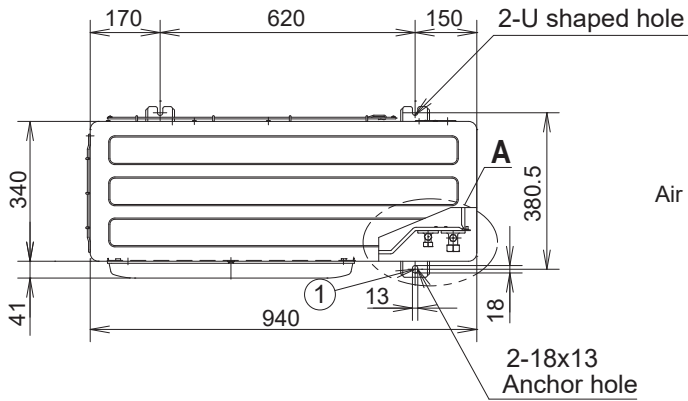
View B

unit: mm

①	Mounting hole, anchor bolt:M10
②	Refrigerant piping (liquid pipe), flared connection (ø9.52)
③	Refrigerant piping (gas pipe), flared connection (ø15.88)
④	Refrigerant piping hole
⑤	Electrical wiring port (ø13)
⑥	Electrical wiring port (ø22)
⑦	Electrical wiring port (ø27)
⑧	Electrical wiring port (ø35)

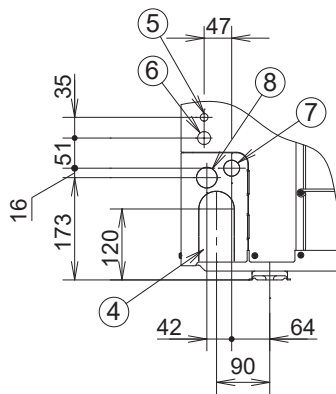
1-2-2-2. PZH3 U-100PZH3R5, U-125PZH3R5, U-140PZH3R5  
U-100PZH3R8, U-125PZH3R8, U-140PZH3R8

unit: mm



Enlarged view A

Refrigerant piping end connection



View B

unit: mm

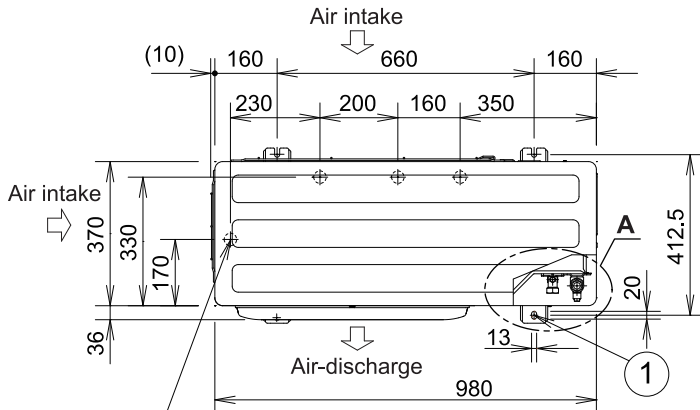
①	Mounting hole, anchor bolt:M10
②	Refrigerant piping(liquid pipe), flared connection (ø9.52)
③	Refrigerant piping(gas pipe), flared connection (ø15.88)
④	Refrigerant piping hole
⑤	Electrical wiring port (ø13)
⑥	Electrical wiring port (ø22)
⑦	Electrical wiring port (ø27)
⑧	Electrical wiring port (ø35)

**(B) Outdoor Units**

**U-160PZH3R5, U-160PZH3R8**

**U-180PZH3R5, U-180PZH3R8**

Unit: mm



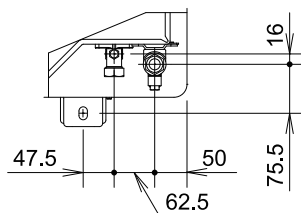
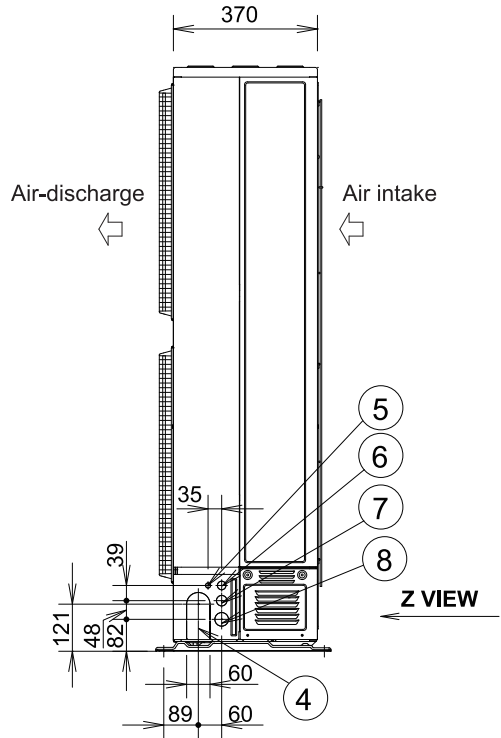
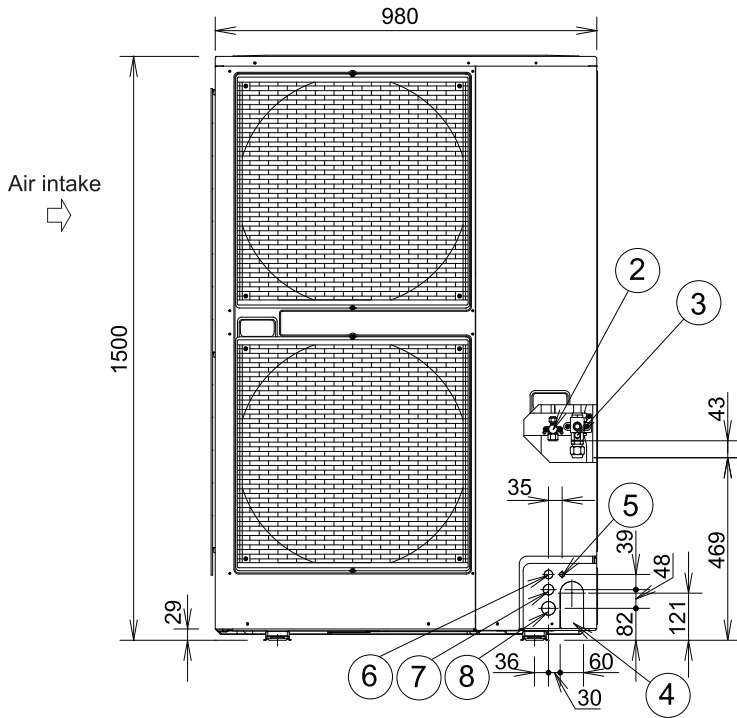
4 ×  $\phi 32$  holes (holes for drain)  
 When using a drain pipe, install the drain socket (field supply) onto the drain port. Seal the other drain port with the rubber cap.

①	Mounting hole (4-R6.5), anchor bolt : M10
②	Refrigerant tubing (liquid tube), flared connection ( $\phi 9.52$ )
③	Refrigerant tubing (gas tube), flared connection ( $\phi 19.05$ ) *1
④	Refrigerant tubing port
⑤	Electrical wiring port ( $\phi 13$ )
⑥	Electrical wiring port ( $\phi 22$ )
⑦	Electrical wiring port ( $\phi 27$ )
⑧	Electrical wiring port ( $\phi 35$ )

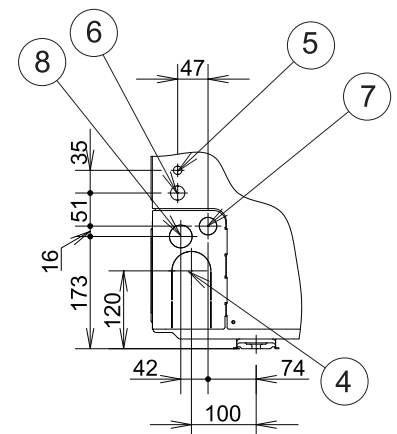
Specification for pipe connecting indoor unit to outdoor unit.

		U-160PZH3R5 U-160PZH3R8	U-180PZH3R5 U-180PZH3R8
Tube length		-	Less than 50 m Over 50 m
Valve size (Outdoor Unit)	Liquid	$\phi 9.52$	$\phi 9.52$
	Gas	$\phi 19.05$	$\phi 19.05$ $\phi 19.05$ *1
Main tube (Outdoor unit to Indoor unit)	Liquid	$\phi 9.52$	$\phi 9.52$
	Gas	$\phi 19.05$	$\phi 19.05$ $\phi 25.4$

\*1 (Gas tubing connection) While the main gas tube is  $\phi 25.4$ , since connecting the outdoor unit's 3-way valve requires a  $\phi 19.05$  flare, please be sure to use reducer (field supply) for connection (brazing).



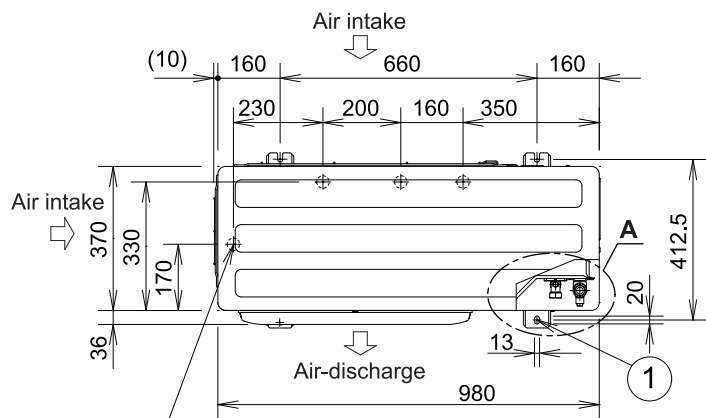
**A VIEW**



**Z VIEW**

**(B) Outdoor Units**  
**U-200PZH3R8, U-224PZH3R8**

Unit: mm



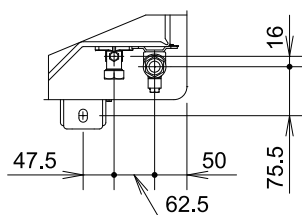
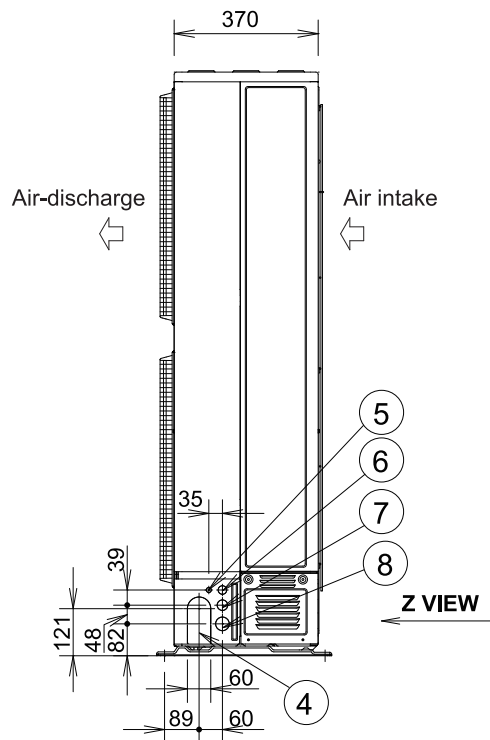
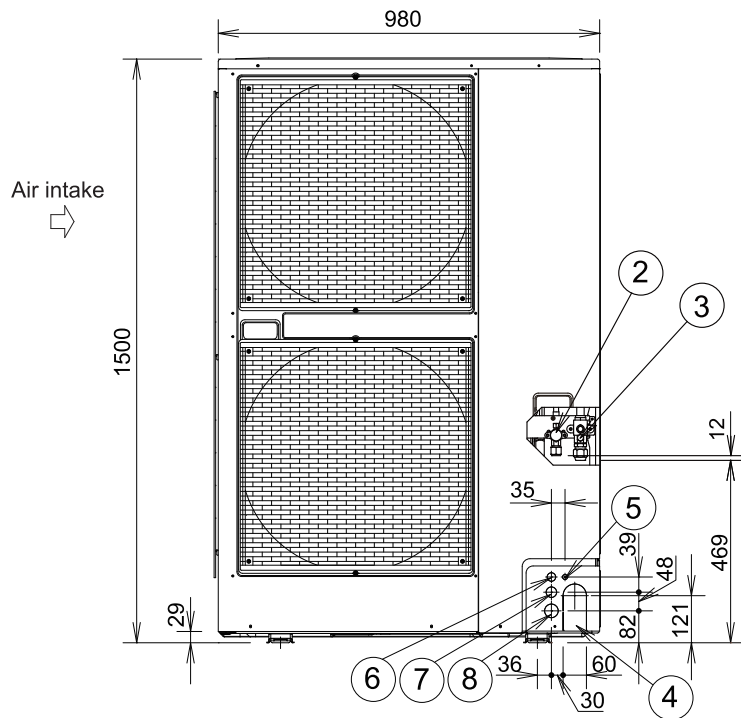
4 ×  $\phi 32$  holes (holes for drain)  
 When using a drain pipe, install the drain socket (field supply) onto the drain port. Seal the other drain port with the rubber cap.

①	Mounting hole (4-R6.5), anchor bolt : M10
②	Refrigerant tubing (liquid tube), flared connection ( $\phi 12.7$ )
③	Refrigerant tubing (gas tube), flared connection ( $\phi 19.05$ ) *1
④	Refrigerant tubing port
⑤	Electrical wiring port ( $\phi 13$ )
⑥	Electrical wiring port ( $\phi 22$ )
⑦	Electrical wiring port ( $\phi 27$ )
⑧	Electrical wiring port ( $\phi 35$ )

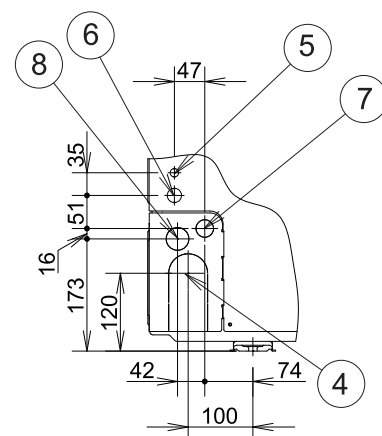
Specification for pipe connecting indoor unit to outdoor unit.

		U-200PZH3R8 U-224PZH3R8	
Tube length		Less than 30 m	Over 30 m
Valve size (Outdoor Unit)	Liquid	$\phi 12.7$	$\phi 12.7$
	Gas	$\phi 19.05$	$\phi 19.05$ *1
Main tube (Outdoor unit to Indoor unit)	Liquid	$\phi 12.7$	$\phi 12.7$
	Gas	$\phi 19.05$	$\phi 25.4$

\*1 (Gas tubing connection) While the main gas tube is  $\phi 25.4$ , since connecting the outdoor unit's 3-way valve requires a  $\phi 19.05$  flare, please be sure to use standard accessories joint tubing A for connection (brazing).



**A VIEW**



**Z VIEW**