

TECHNICAL SPECIFICATIONS

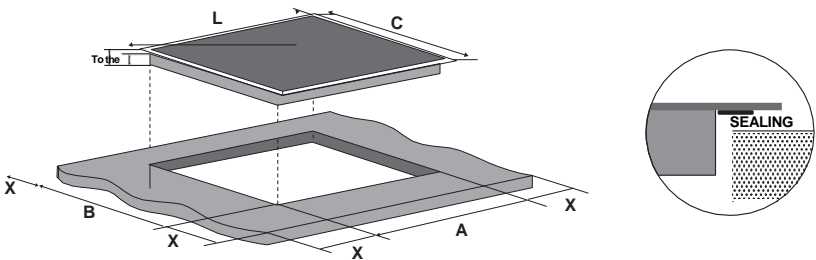
Cooktop	KY-W648CLJPQ
Cooking zones	4 Zones
Supply voltage	220-240V ~ 50/60 Hz
Power	7,000 watts
External dimensions product Length x Width x Height (mm)	520 x 590 x 60
Opening dimensions for installation Length x Width (mm)	490 x 560

Dimensions and are approximate. We are in continuous effort to improve our products and specifications and designs may change without notice.

INSTALLATION

Select the installation material

Cut the work surface according to the sizes shown in the drawing. For installation and use, a minimum clearance space of 5 cm must be preserved around the cooktop once installed. This is to ensure safety and allow a clear working space for pots and pans. Make sure that the thickness of the work surface is at least 30 mm. Please select a work surface with heat-resistant material to avoid deformations caused by heat radiation from the cooktop. As shown below:

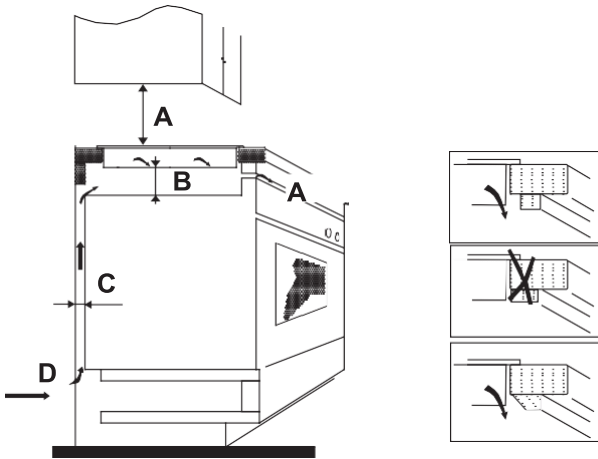


Length (mm)	Width (mm)	Height (mm)	Depth (mm)	A (mm)	B (mm)	X (mm)
520	590	60	56	560	490	50 minimum

Under all circumstances, make sure that the induction cooktop is well ventilated, and that the air inlet and outlet are not blocked. Verify that the location you have chosen has the necessary conditions for the correct installation of the product. As shown in the figure below:



Note: The safe distance between the plate and the cabinet above the cooktop should be at least 760 mm.



A (mm)	B (mm)	C (mm)	D	And
760	50 minimum	20 minimum	Air intake	Air outlet 5 mm

Before installing the cooktop, make sure that:

- The work surface is a level area and there are no structural elements that interfere with the space that would impede proper installation.
- The work surface is made of a heat-resistant material.
- If the cooktop is installed above an oven, it must have an operational cooling fan.
- The area will meet all necessary space requirements, standards, and regulations.
- The appliance is removed from all packing material, and examined for any damage. If the appliance is damaged **DO NOT** install and notify your dealer immediately.
- A suitable circuit breaker that provides complete disconnection from the mains is incorporated into the permanent wiring, assembled, and positioned in such a way as to comply with local electrical installation rules and regulations.

- The circuit breaker must be of an approved model and provide a contact separation with clearance of 3 mm from all the poles (or in all active conductors [phases] if this is the regulation for connections of the local electrical system).
- The circuit breaker is accessible to the cooktop user.
- If there is doubt regarding the electrical system, please consult the local authority.
- You use easy-to-clean and heat-resistant finishes (e.g., ceramic, tempered glass) for the wall surfaces surrounding the cooktop.



Correct installation is the responsibility of the installer. Any malfunction or accident resulting from the failure to follow Installation Instructions is not covered by the warranty.

When you have installed the cooktop, make sure that:

- The circuit breaker is accessible to the cooktop user.
- The power cord is not accessible through cabinet doors or drawers.
- There is adequate airflow from the cabinet to the base of the cooktop.
- A thermal protection barrier is installed below the base of the cooktop if it is installed above a drawer or cabinet.

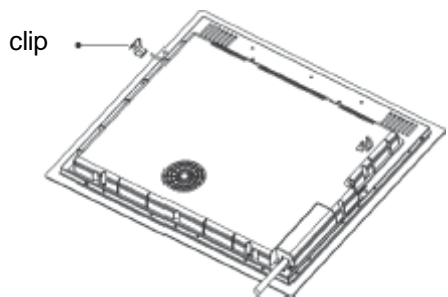
Before securing the fastening clips

The unit should be placed on a stable and smooth surface (use the packaging). Do not apply force on the protruding area of the cooktop.

Adjusting the position of the clips

Secure the cooktop to the work surface by 2 screw clips at the bottom of the cooktop (see image) after installation.

Adjust the position of the clip to the cabinet according to the thickness of the bench top.



LIST OF ACCESSORIES

Accessory	Quantity
Fixing clip	2

OTHER PRECAUTIONS

1. The induction cooktop must be installed by a person or a qualified electrical professional. Please NEVER perform the installation yourself.
2. The cooktop should not be installed directly above a dishwasher, refrigerator, freezer, washing machine or clothes dryer, as moisture can damage the electronic components of the cooktop.
3. The induction cooktop must be installed so that heat can radiate freely to ensure its reliability.
4. The wall and the surface around the cooktop must be heat resistant and able to withstand the heat.
5. To prevent damage, the adhesive layer must be heat resistant.

CONNECTING THE COOKTOP TO POWER



This cooktop should be connected to the power grid only by a qualified electrical professional. Before connecting the cooktop to the mains, make sure that:

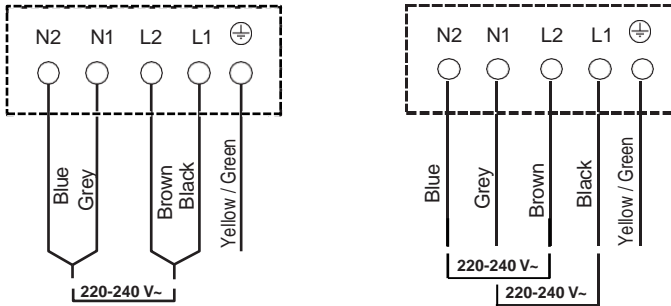
1. The dedicated electrical system is suitable for the energy consumed by the cooktop.
2. The voltage corresponds to the value indicated on the nameplate.
3. The power cord sections support the power indicated on the nameplate.

To connect the cooktop to the mains, NEVER use adapters, reducers, or outlet sharers, as they can cause overheating and fire.

The power cord must not touch the hot parts and must be positioned so that its temperature does not exceed 75 °C at any point.



Check with an electrician to see if the electrical system is suitable without the need for changes. Any changes should only be made by a qualified practicing electrical professional.



- If the cable is damaged and needs to be replaced, the operation should be performed by an after-sales service agent with appropriate tools to prevent accidents.
- If the appliance is connected directly to the mains, a unipolar circuit breaker must be installed with a minimum opening of 3 mm between the contacts.
- The installer must ensure that the correct electrical connection has been used and that it is compliant with local safety standards.
- The cable should not be bent or compressed in any way.
- The cable should be checked regularly and replaced only by authorised agents.

ENVIRONMENTAL RESPONSIBILITY

PANASONIC recommends not to dispose of electronic products and/or their accessories in household waste, on the street, in vacant lots, landfills, streams. For any questions and more information regarding disposal, life cycle and returns, please contact our Customer Service department.