

Safety precautions for installation

Please read these precautions fully



WARNING

Failure to follow these instructions may cause a risk of personal injury or death.



Follow these instructions when installing the Ceramic Hob.

If it is installed improperly, it may cause electric leakage or overheat.



Install a dedicated circuit of 3 phase 400 V / 16 A or single phase 220 - 240 V / 32 A, with a power switch for power supply.

If dedicated circuit is not connected compatibly, it may cause abnormal heat on electrical wiring.



Electrical work should be done by a qualified electrician.

If the connection or repair is not completed, it may cause electric leakage or overheat.



Install the ground completely with related law.

Installation of ground can avoid electric shock if electric leakage occurs



The ground should be installed by a qualified electrician.

If the installation is not proper, electric leakage may occur.



The means for disconnection must be incorporated in the fixed wiring in accordance with the wiring rules.




This appliance is necessary to allow disconnection from the supply after installation. The disconnection may be achieved by having the plug accessible or by incorporating a switch in the fixed wiring in accordance with the wiring rules.



Never disassemble, repair or modify the Ceramic Hob.

Any attempt to do so may cause the Ceramic Hob to operate abnormally and may result in danger.


CAUTION Failure to follow these instructions may cause a risk of personal injury or death.


 **Use heat resistant materials for the work surface.**

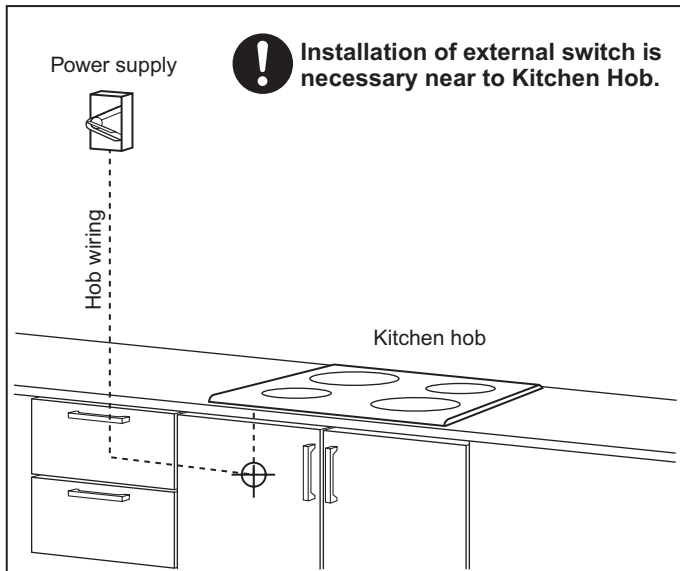
The material of the work surface should have the heat resistance equal to or exceeding "laminated thermosetting high-pressure decorative sheets".

If the materials are not heat resistant, it may cause deformation or fire.

* Do not use varnished materials as they may be discoloured.

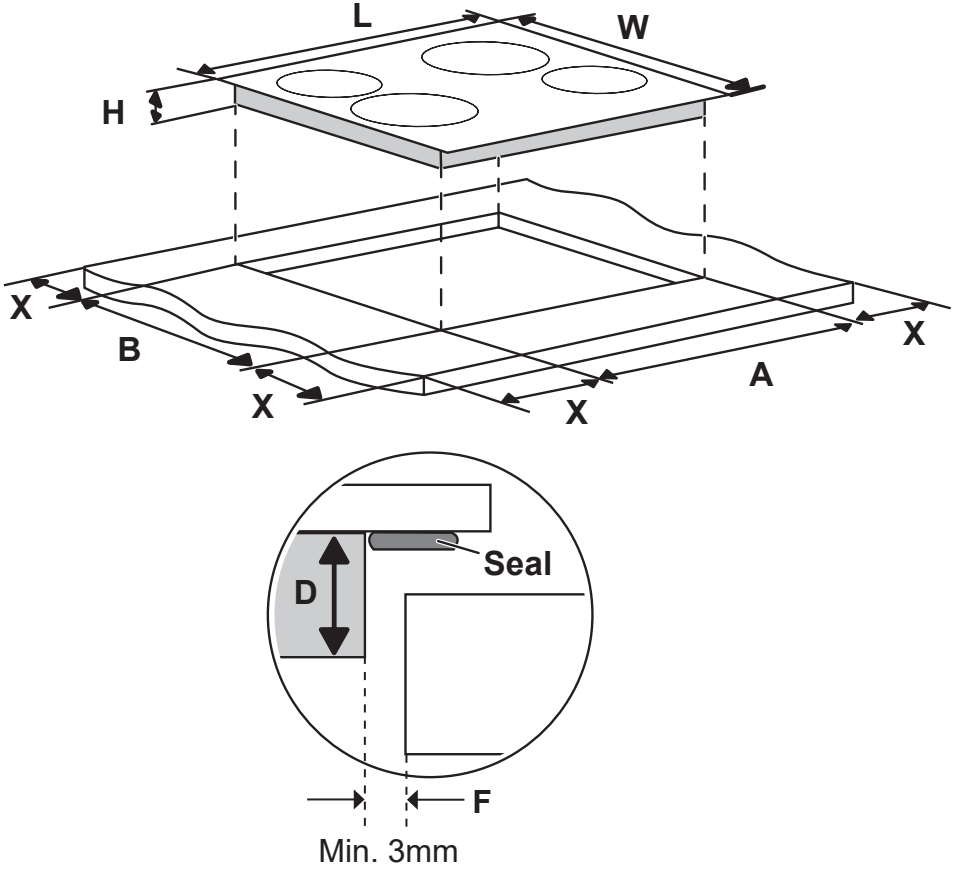
 **Do not step on or drop any hard article down on the Glass Panel.**
If it is cracked or broken, it may cause overheating, abnormal operation or electric shock.

 **Do not touch the Glass Panel or other heating parts when the Ceramic Hob is running.**
It may cause burn.



Installation Requirements

Cut out the work surface according to the sizes shown in the drawing. For the purpose of installation and use, a minimum of 50 mm space shall be preserved around the hole. Be sure the thickness of the work surface is at least 30 mm. Please select heat-resistant work surface material to avoid larger deformation caused by the heat radiation from the Ceramic Hob.

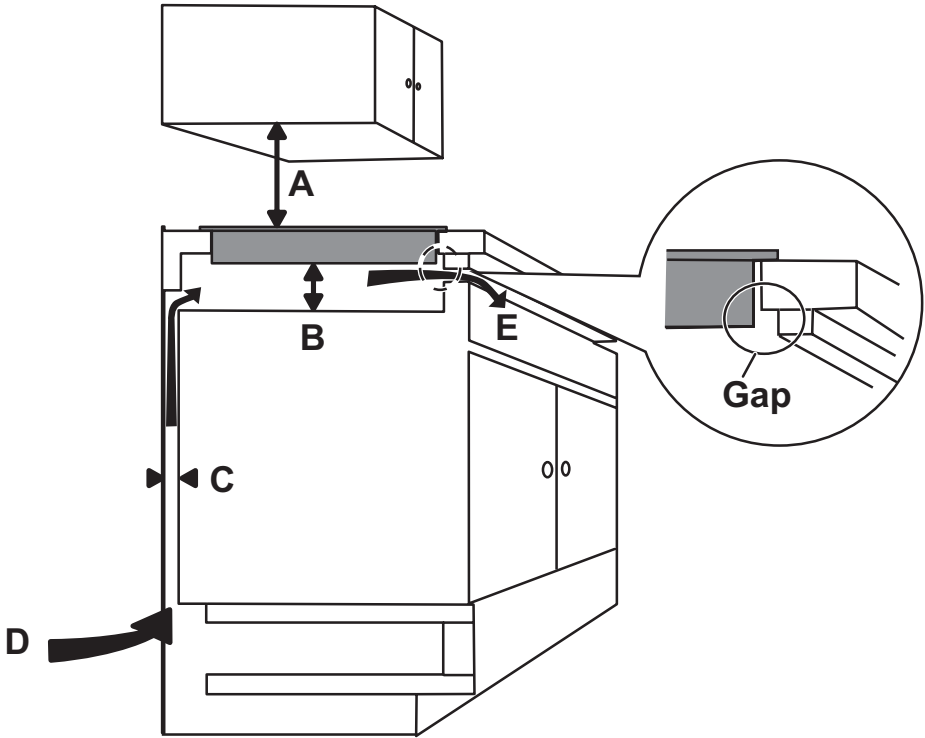


L(mm)	W(mm)	H(mm)	D(mm)	A(mm)	B(mm)	X(mm)	F(mm)
590	520	51	47	560±2	480±2	50 (Minimum)	3 (Minimum)

Installation Instructions

For Installer

Under any circumstances, make sure the Ceramic Hob is well ventilated and the air inlet and outlet are not blocked. Ensure the Ceramic Hob is in a good working state, as shown below.



Note:

The safety distance for the Ceramic Hob installation as follows:

A (mm)	B (mm)	C (mm)	D	E (mm)
760	25 (Minimum)	20 (Minimum)	Air Intake	Air Exit 5

■ Before the Ceramic Hob is installed, make sure that:

- The work surface is square and level, and no structural parts interfere with space requirements.
- The work surface is made of a heat-resistant material.
- If the Ceramic Hob is installed above an oven, the oven has a built-in cooling fan.
- The installation will comply with all clearance requirements and applicable standards and regulations.
- A suitable power switch providing full disconnection from the main power supply is incorporated in the fixed wiring, mounted and positioned to comply with the local wiring rules and regulations.
The power switch must be an approved type and must provide a 3 mm air gap contact separation in all poles (or in all active [phase] conductors if the local wiring rules allow for this variation of the requirements).
- The power switch can be easily accessible before the Ceramic Hob is installed.
- Consult local building authorities and institutions if there are doubts regarding installation.
- Use heat-resistant and easy-to-clean finishes (such as ceramic tiles) for the wall surfaces surrounding the Ceramic Hob.

■ When installing the Ceramic Hob, make sure that:


- The power cord is not accessible through cupboard doors or drawers.
- There is adequate flow of fresh air from outside the cabinet to the base of the Ceramic Hob.
- If the Ceramic Hob is installed above a drawer or cupboard space, a thermal protection barrier is installed below the base of the Ceramic Hob.


IMPORTANT:


Correct installation is the responsibility of the installer. Any malfunction or accident resulting from the failure to follow the Installation Instructions is not covered by the warranty.





CAUTION

-  **The Ceramic Hob must be installed by qualified personnel or technicians. Never conduct the operation by yourself.**

-  **The Ceramic Hob must not be installed directly above a dishwasher, fridge, freezer, washing machine or clothes dryer, as the humidity may damage the Ceramic Hob electronics.**

-  **The Ceramic Hob shall be installed such that better heat radiation can be ensured to enhance its reliability.**

-  **The wall and cooking zone above the work surface should be able to withstand heat.**

-  **To avoid any damage, the sandwich layer and adhesive materials must be resistant to heat.**

Electrical Connection

WARNING

! This Ceramic Hob must be connected to the main power supply by a suitably qualified person.

Before connecting the Ceramic Hob to the main power supply, check that:

- The domestic wiring system is suitable for the power drawn by the Ceramic Hob.
- The voltage corresponds to the value given in the Name Plate.
- The power cord sections can withstand the load specified on the Name Plate.

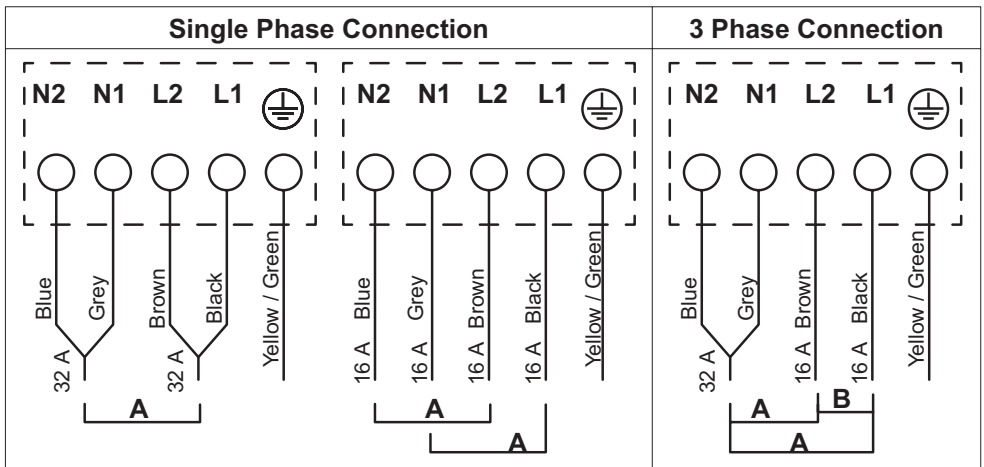
To connect the Ceramic Hob to the main power supply, do not use adapters, reducers, or branching devices, as they can cause overheating and fire.

The power cord must not touch any hot parts and must be positioned so that its temperature will not exceed 75 °C at any point.

! Check with an electrician whether the domestic wiring system is suitable without alterations.

Any alterations must only be made by a qualified electrician.

- If the power cord is damaged or to be replaced, the operation must be carried out by the after-sale agent with dedicated tools to avoid any accidents.
- If the Ceramic Hob is being connected directly to a power switch, it must be installed with a minimum opening of 3 mm between contacts.
- The installer must ensure that the correct electrical connection has been made and that it is compliant with safety regulations.
- The power cord must not be bent or compressed.
- The power cord must be checked regularly and replaced by authorised technicians only.



A	B
220-240 V AC	400 V AC