

# Installation Instruction

**NN-TK510FS/FW/FB**

	<b>Trim kit</b>
24" cabinet (596mm)	NN-TK510FS NN-TK510FW NN-TK510FB

## Contents

Attention .....	P2
Step1. Unpacking list.....	P3
Step2. Feature diagram.....	P4
Step3. Cabinet Preparation .....	P5-7
Step4. Microwave Oven Installation .....	P8
Step5. Cabinet Installation.....	P9-10
Step6. Finishing Installation.....	P11-13

**Panasonic**

1. This trim kit can be installed into a cabinet.  
The cabinet opening must have the following internal dimensions as shown in **fig 1, p 5-7**.

A vent is required at the rear of the cabinet, it should not be obstructed.

2. Electrical Connections The appliance is supplied with a mains plug attached and should only be connected into an earthed socket that has been installed according to the relevant safety regulations.  
If the plug is no longer accessible after the appliance has been built into the cabinet, a dual pole isolator must be installed to conform to the relevant safety standards.
3. It is essential that the cabinet is fixed to the wall for stability. The shelf must be able to support a weight of 30 kg.
4. If the microwave oven is to be removed from the kitchen cabinet and used free standing, the built in parts must be removed, and the oven returned to its original condition. Keep these installation instructions for future reference so the installation process can be reversed.

**TAKE CARE NOT TO KINK OR TRAP THE MICROWAVE ELECTRICAL CABLE.**

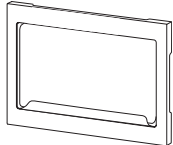
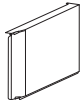
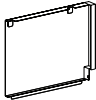
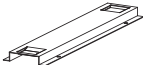

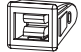



**The diagram may vary from the actual unit and is only for your reference.**

## Step1. Unpacking list

### Tools Needed

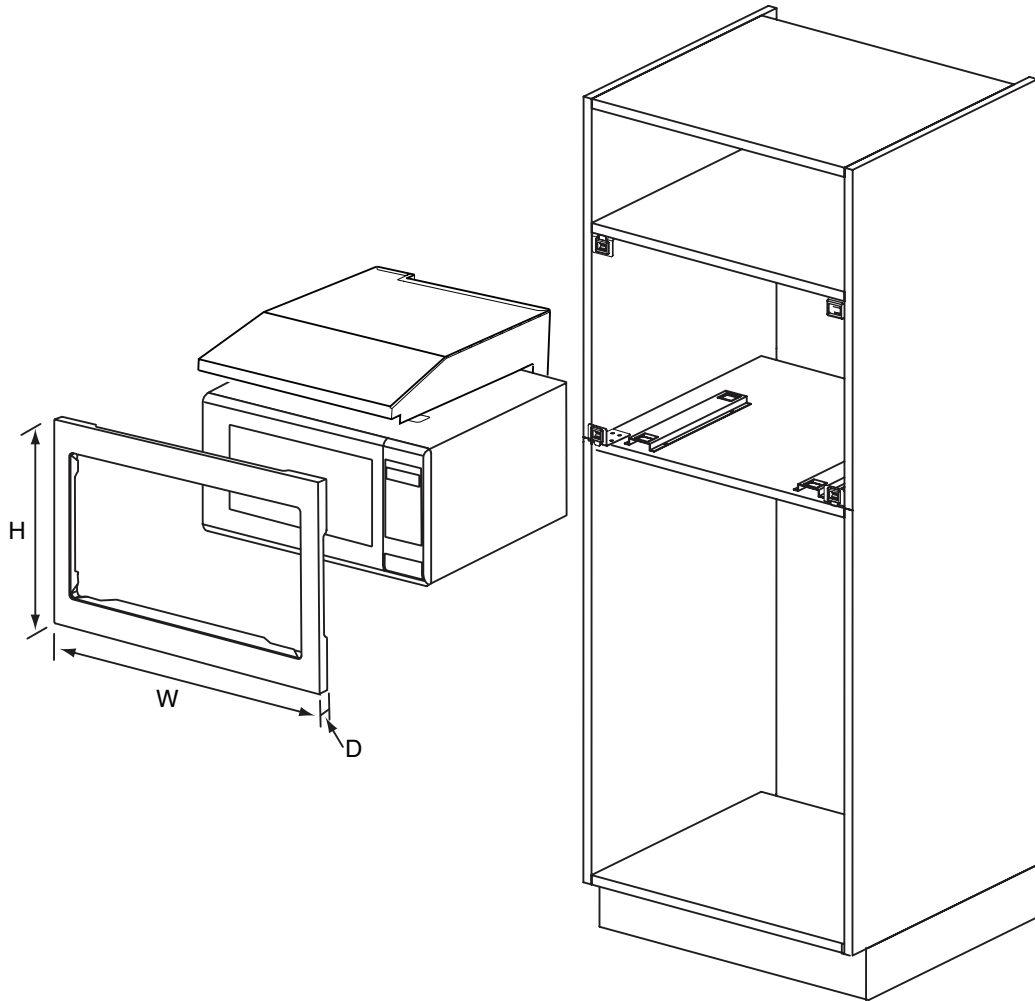
- Measuring tape
- Pencil
- Driver
- Ø2 drill

### Parts Supplied

PART	PART	QUANTITY
	Trim Frame	1
	Right Duct	1
	Left Duct	1
	Rail	2
	Bracket	4
	Catch	4
	Tape	4
	Screw	12
	Strike	4

## Step2. Feature diagram

Installed Image



	Trim kit Dimensions
Width	596 mm
Height	410 mm
Depth	20 mm (Thickness)

### Step3. Cabinet Preparation

Please confirm and select the type of your own cabinet firstly.  
Diagram illustrates above bench installation. For under bench installation, same opening dimensions requirements apply.

#### Type1

fig 1.

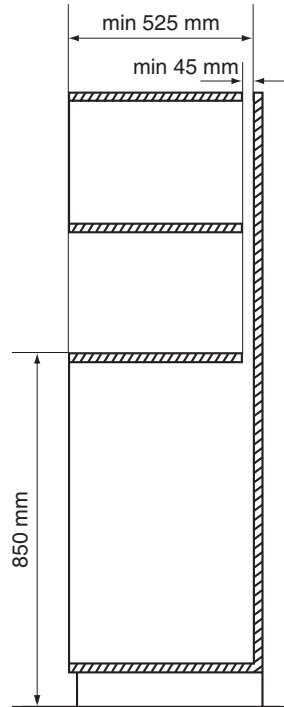
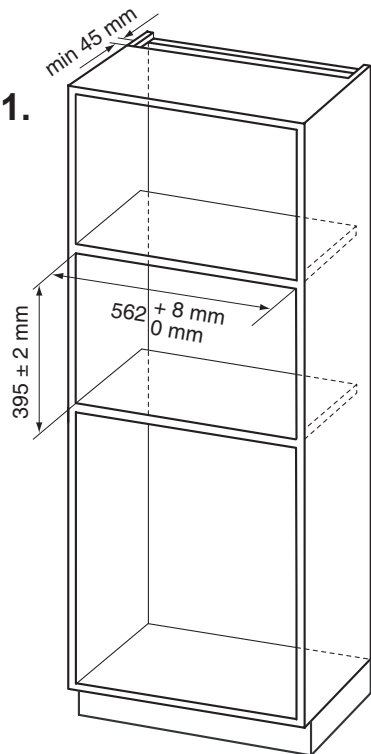
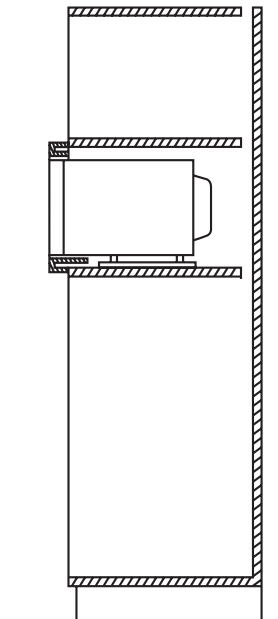
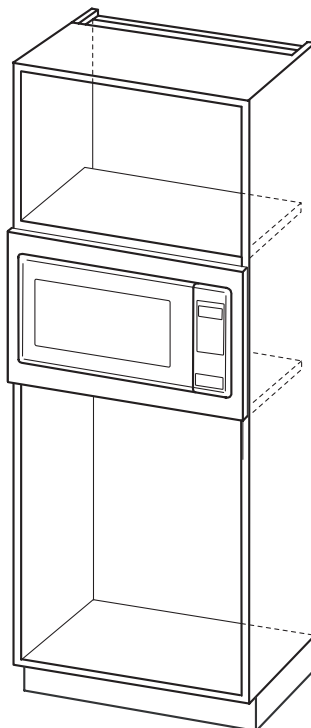
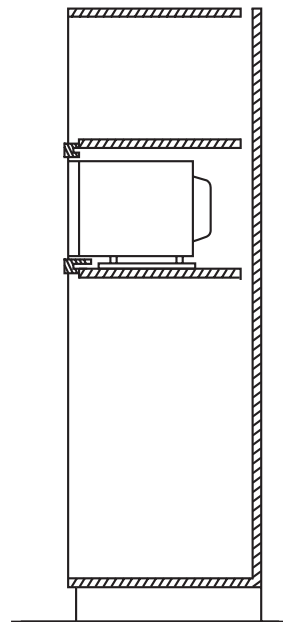
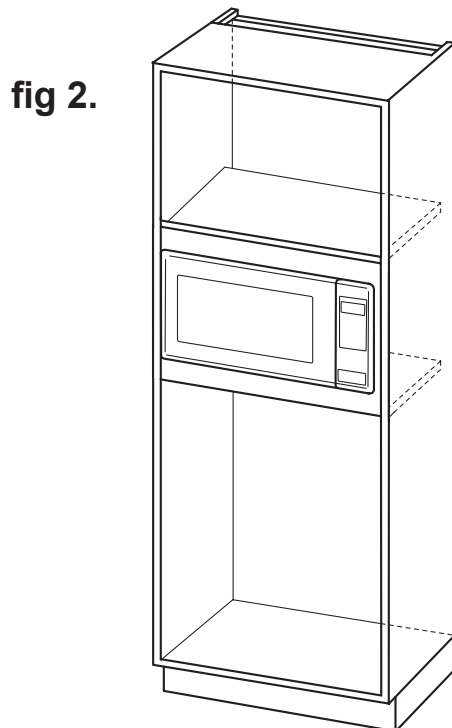
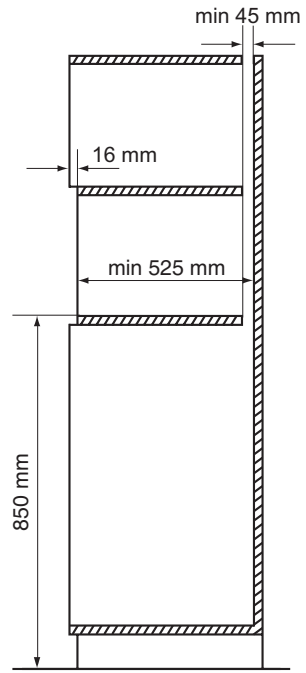
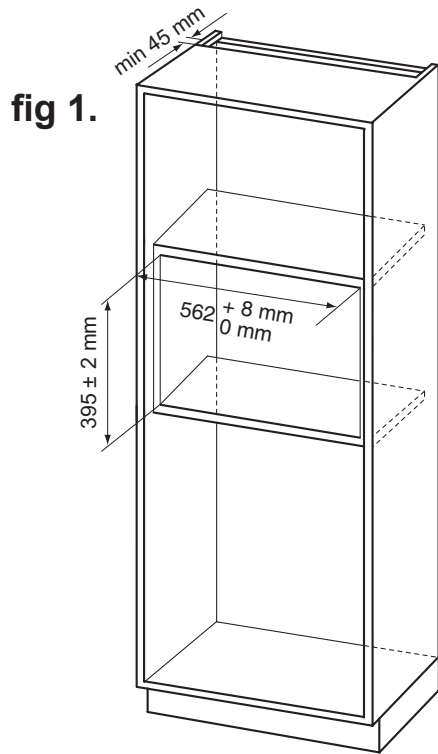


fig 2.



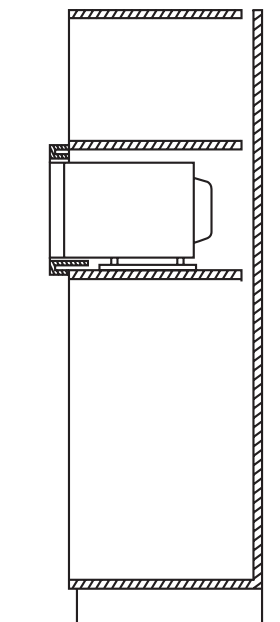
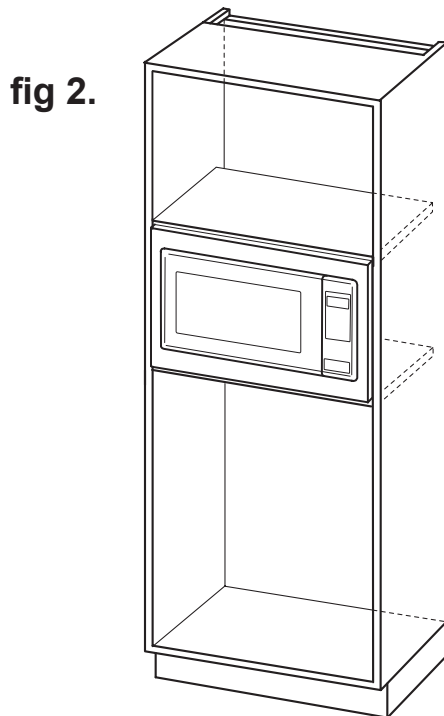
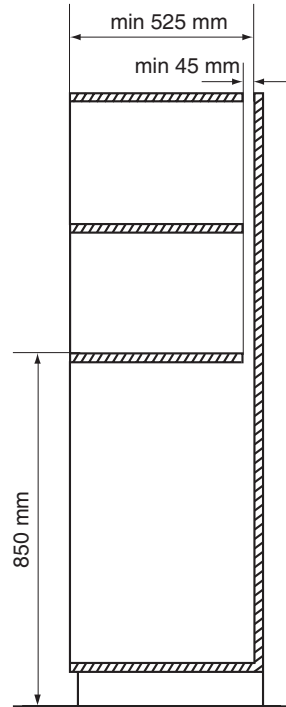
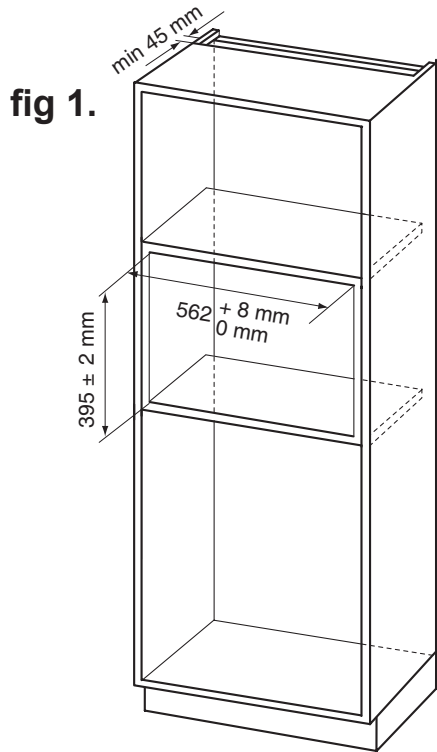
# Step3. Cabinet Preparation

## Type2



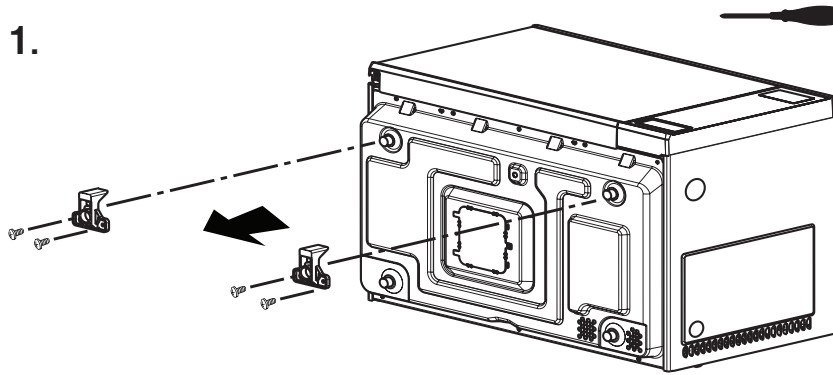
# Step3. Cabinet Preparation

## Type3

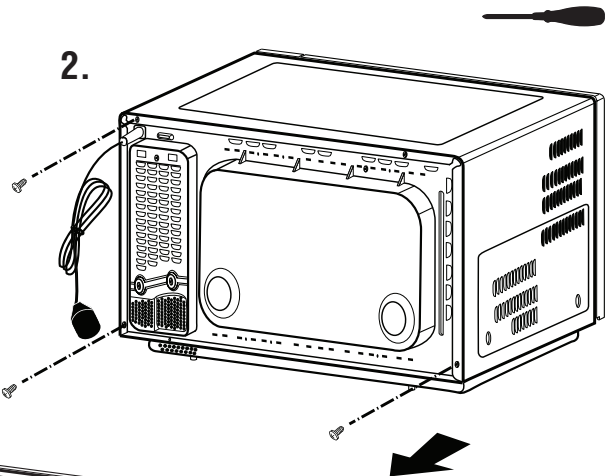


## Step4. Microwave Oven Installation

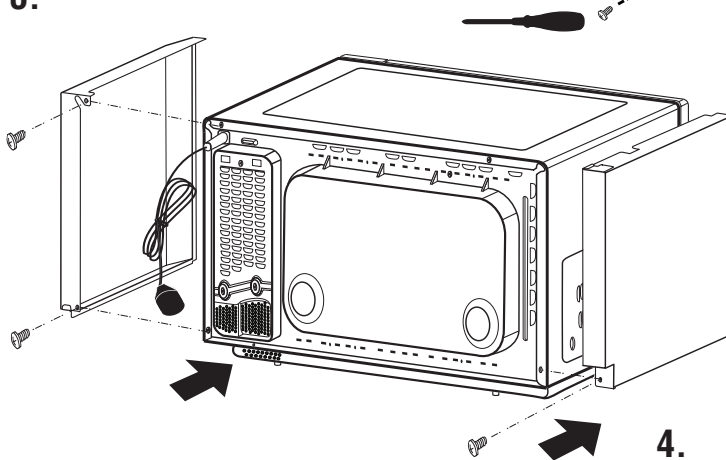
1.



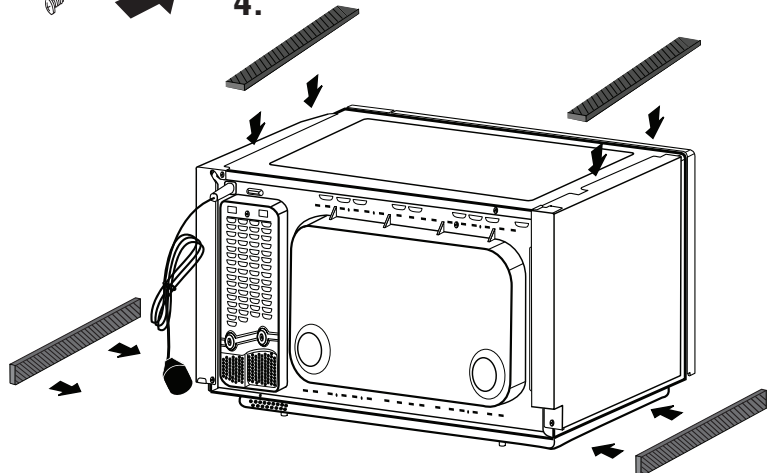
2.



3.



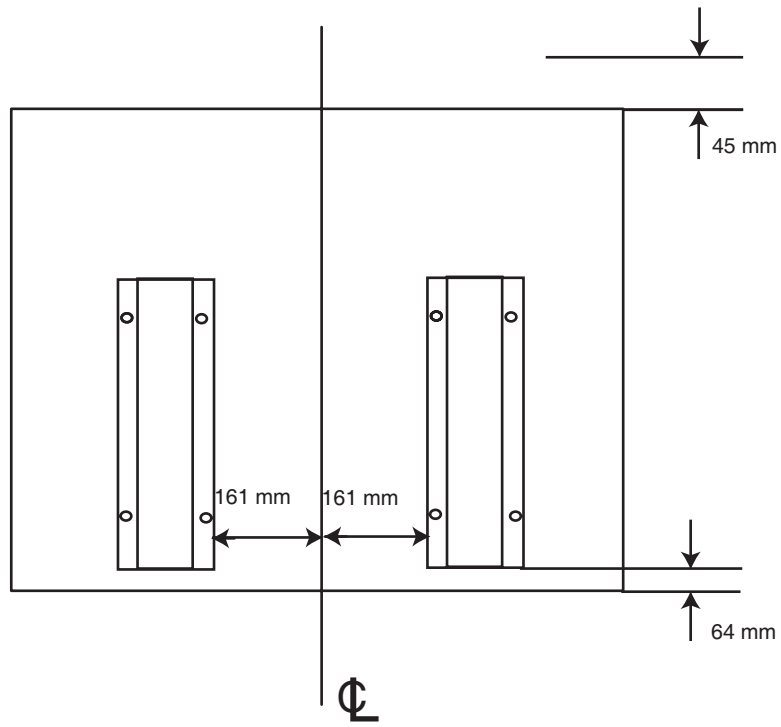
4.



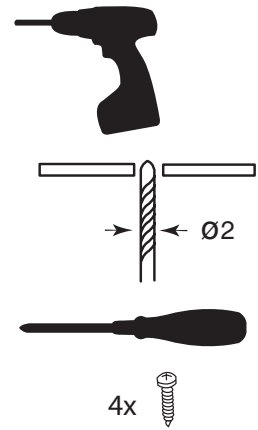
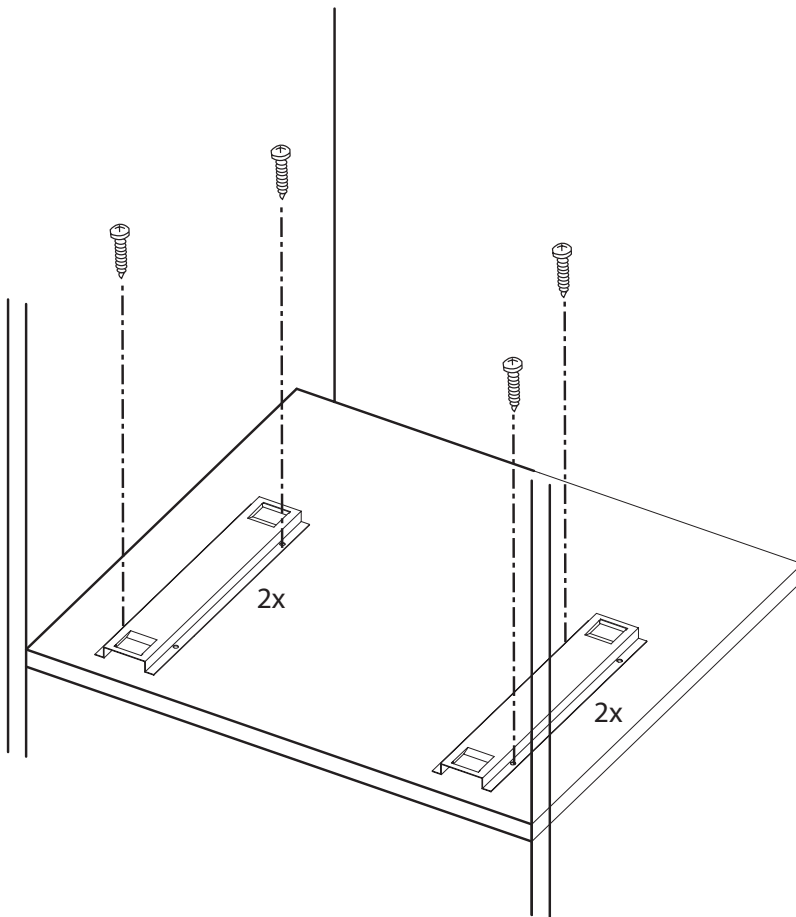


## Step5. Cabinet Installation

1.

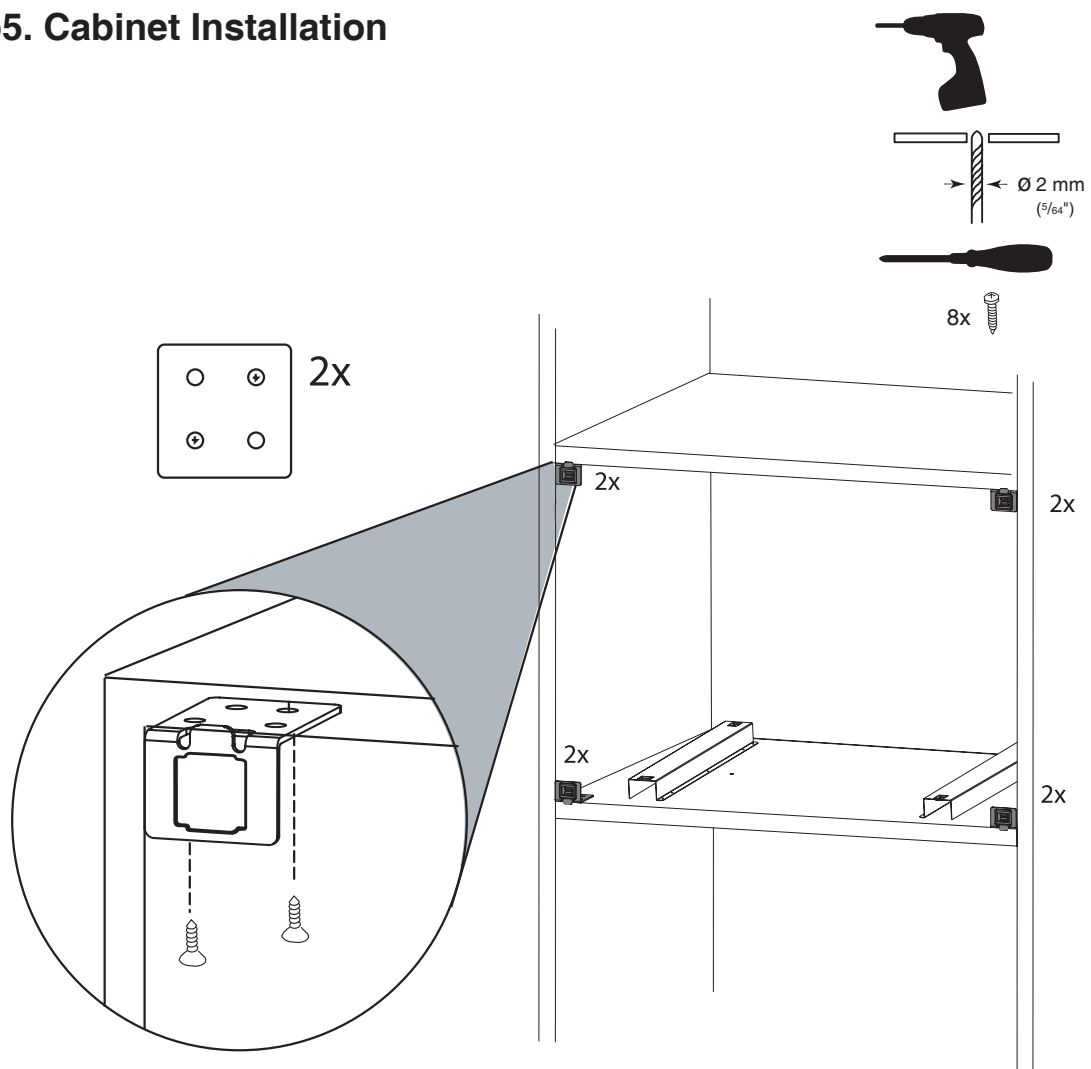


2.

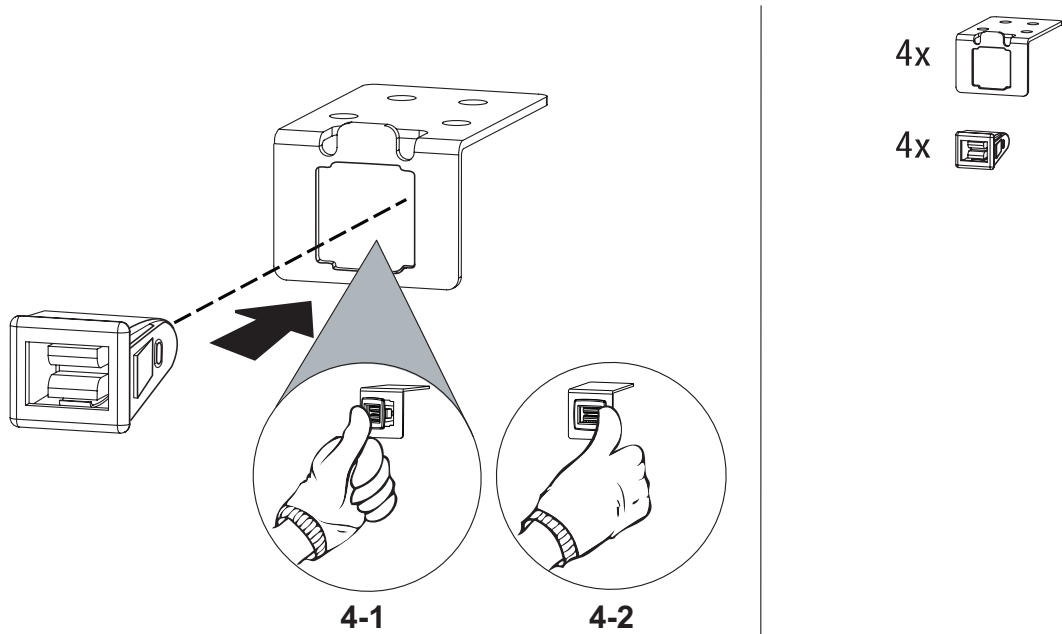


## Step5. Cabinet Installation

3.



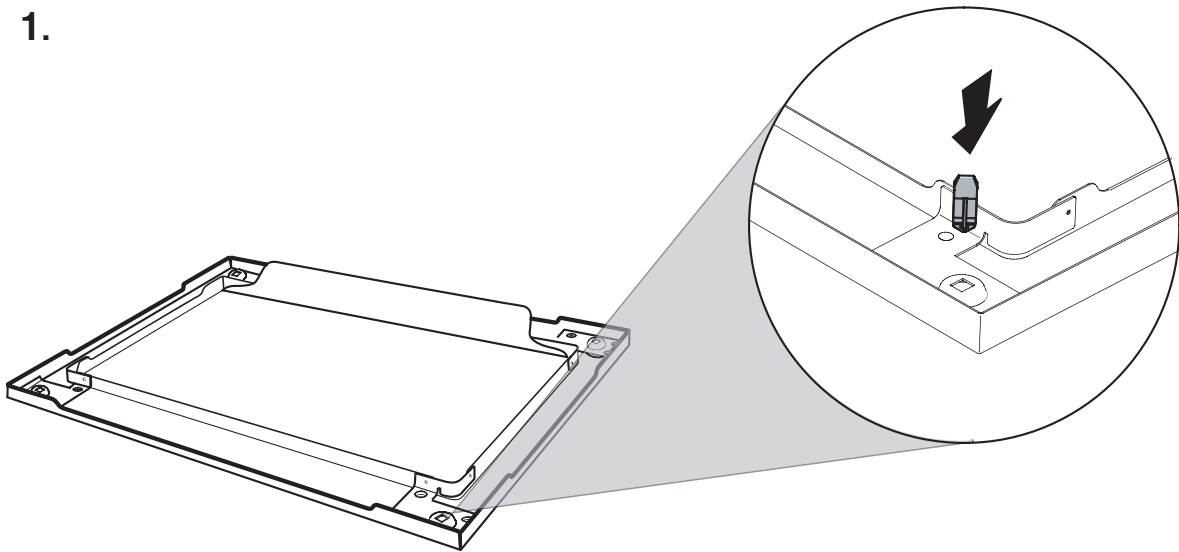
4.



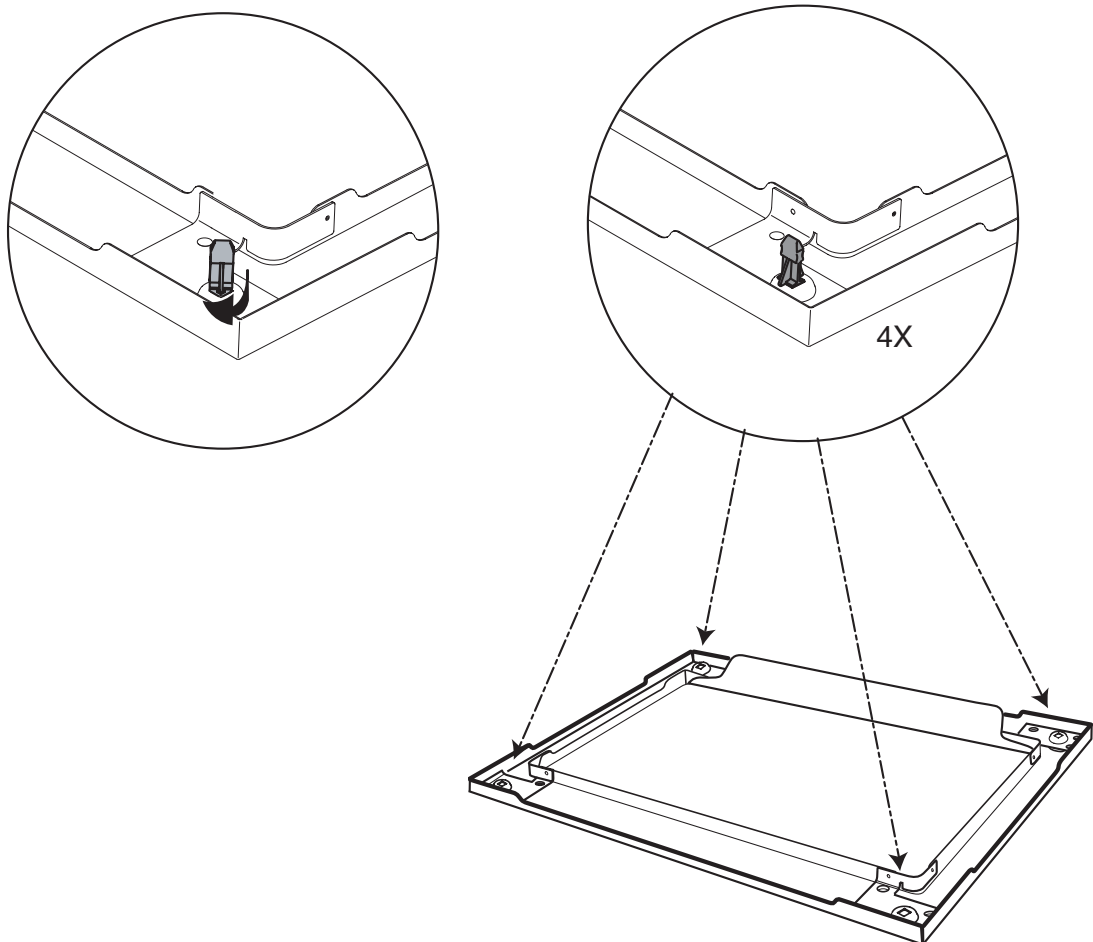
## Step6. Finishing Installation

### Trim Frame

1.



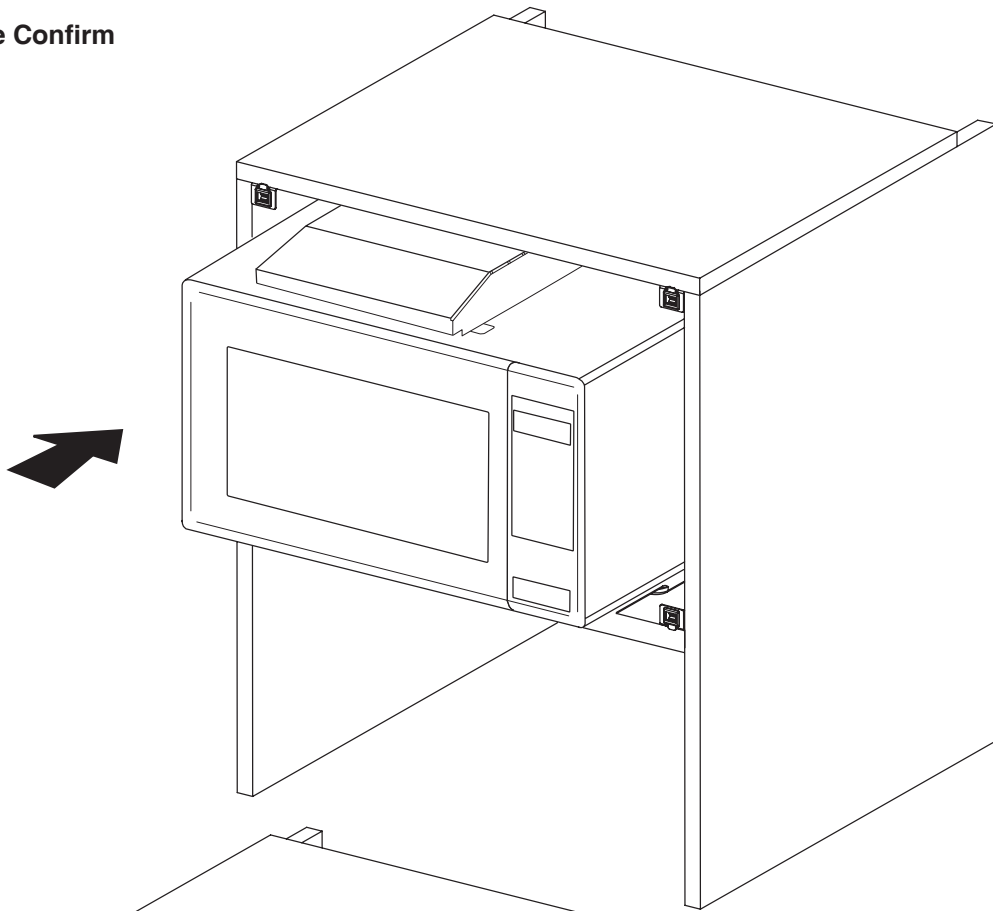
2.



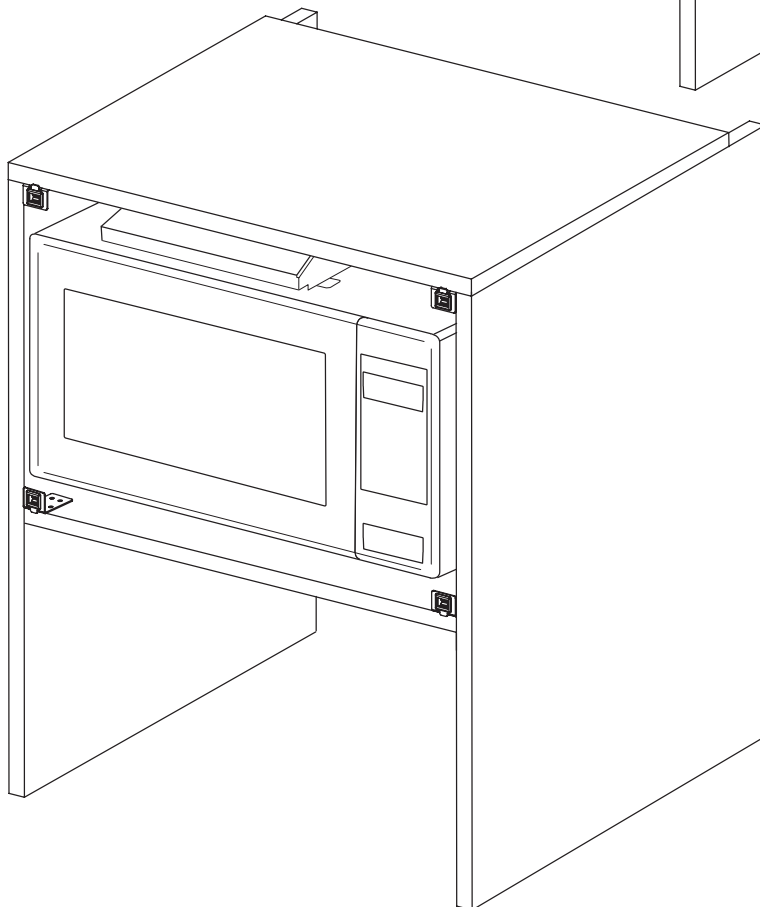
## Step6. Finishing Installation

Complete Confirm

3.



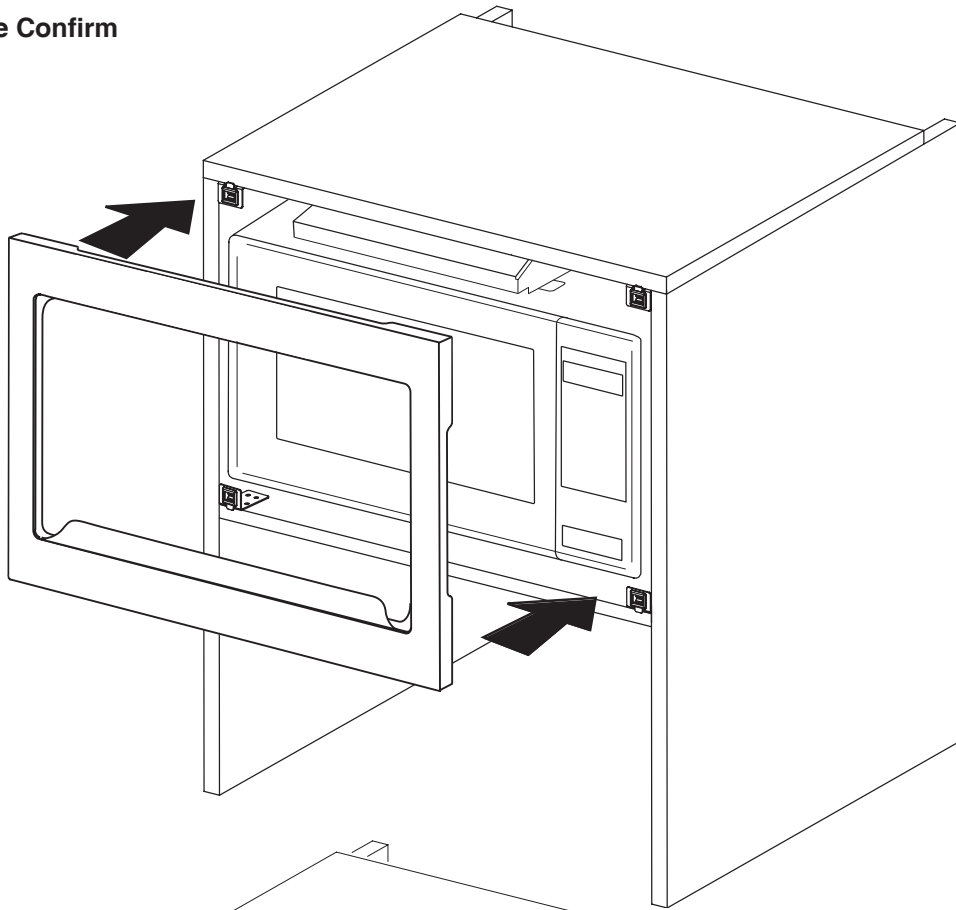
4.



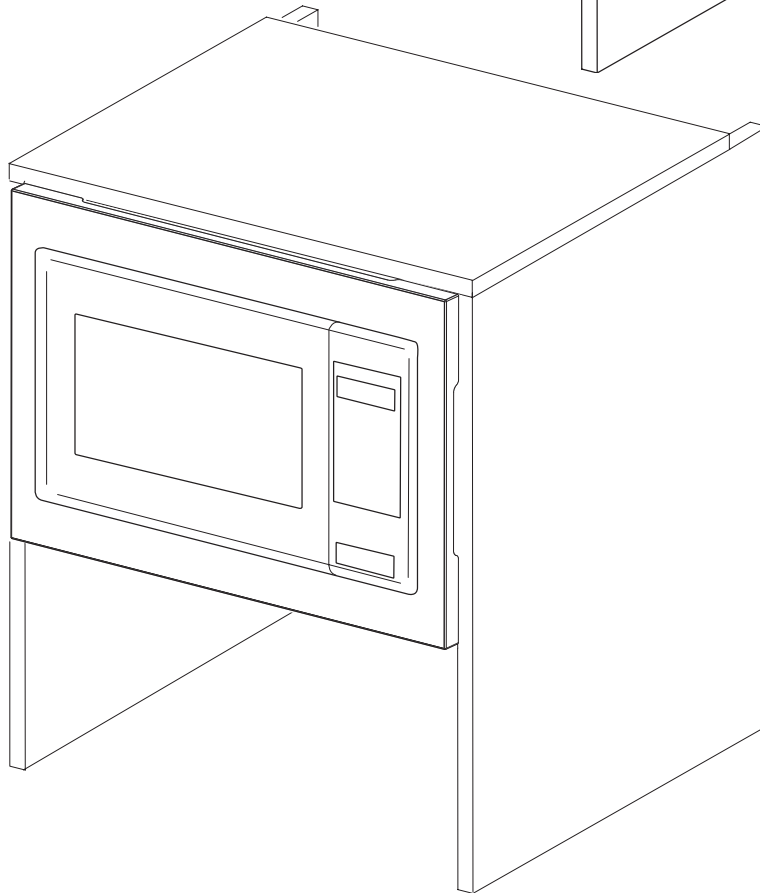
## Step6. Finishing Installation

Complete Confirm

5.



6.



F03139P20QP  
PA0624-0  
Printed in China