

Panasonic

LUMIX S5IIx

Operating Instructions
<Quick Start Guide>
Digital Camera
DC-S5M2X

Please read these instructions carefully before using this product, and save this manual for future use.

Refer to "Operating Instructions <Complete Guide>" (HTML format/PDF format) for details about how to use the camera and notes on use.

<https://panasonic.jp/support/dsc/oi/S5M2X/index.html>



Manufactured by:
Panasonic Entertainment & Communication Co., Ltd.
1-10-12, Yagumo-higashi-machi, Moriguchi City, Osaka, Japan
Importer for UK:

Panasonic UK, a branch of Panasonic Marketing Europe GmbH
Maxis 2, Western Road, Bracknell, Berkshire, RG12 1RT
Importer for EU:

Panasonic Marketing Europe GmbH
Hagenauer Strasse 43, 65203 Wiesbaden, Germany
Authorized Representative in EU:
Panasonic Marketing Europe GmbH
Panasonic Testing Centre
Winsbergring 15, 22525 Hamburg, Germany



Panasonic Entertainment & Communication Co., Ltd.

Web Site: <http://www.panasonic.com>

© Panasonic Entertainment & Communication Co., Ltd. 2023

OVQX2381ZA
F0323NT0

E

Dear Customer,

We would like to take this opportunity to thank you for purchasing this Panasonic Digital Camera. Please read this document carefully and keep it handy for future reference. Please note that the actual controls and components, menu items, etc. of your Digital Camera may look somewhat different from those shown in the illustrations in this document.

Information for Your Safety

WARNING:

To reduce the risk of fire, electric shock or product damage,

- Do not expose this unit to rain, moisture, dripping or splashing.
- Use the recommended accessories.
- Do not remove covers.
- Do not repair this unit by yourself. Refer servicing to qualified service personnel.

The socket outlet shall be installed near the equipment and shall be easily accessible.

Product identification marking

| Product | Location |
|----------------|----------|
| Digital camera | Bottom |

Declaration of Conformity (DoC) for EU:

Hereby, "Panasonic Entertainment & Communication Co., Ltd." declares that this product is in compliance with the essential requirements and other relevant provisions of Directive 2014/53/EU.

Customers can download a copy of the original DoC for our RE products from our DoC server: <https://www.ptc.panasonic.eu/compliance-documents>
Importer for EU: Panasonic Marketing Europe GmbH
Hagenauer Strasse 43, 65203 Wiesbaden, Germany
Authorized Representative in EU: Panasonic Marketing Europe GmbH
Panasonic Testing Centre, Winsbergring 15, 22525 Hamburg, Germany

5.15 - 5.35 GHz band is restricted to indoor operations only in the following countries.

| | | | | | | | | | | | | | | | | | |
|----|----|----|----|----|----|----|----|----|----|----|----|----|----|--------|----|----|----|
| AT | BE | BG | CZ | DK | EE | FR | DE | IE | IS | IT | EL | ES | CY | LV | LI | LT | LU |
| HU | MT | NL | NO | PL | PT | RO | SI | SK | TR | FI | SE | CH | HR | UK(NI) | RS | | |

Declaration of Conformity (DoC) for UK:

Hereby, "Panasonic Entertainment & Communication Co., Ltd." declares that this product is in compliance with the essential requirements and other relevant provisions of the Radio Equipment Regulations 2017.

Customers can download a copy of the original DoC for our RE products from our DoC server: <https://www.ptc.panasonic.eu/compliance-documents>
Importer for UK: Panasonic UK, a branch of Panasonic Marketing Europe GmbH
Maxis 2, Western Road, Bracknell, Berkshire, RG12 1RT

5.15 - 5.35 GHz band is restricted to indoor operations only in the UK.

Maximum power and operating frequency bands of transmitter

| Type of wireless | Frequency band (central frequency) | Maximum power (dBm e.i.r.p.) |
|------------------|------------------------------------|------------------------------|
| WLAN | 2412-2472 MHz | 13 dBm |
| | 5180-5320 MHz | 13 dBm |
| | 5500-5700 MHz | 13 dBm |
| | 5745-5825 MHz | 13 dBm |
| Bluetooth | 2402-2480 MHz | 10 dBm |

About the battery pack

CAUTION

- Danger of explosion if battery is incorrectly replaced. Replace only with the type recommended by the manufacturer.
- When disposing of the batteries, please contact your local authorities or dealer and ask for the correct method of disposal.

- Do not heat or expose to flame.
- Do not leave the battery(ies) in a car exposed to direct sunlight for a long period of time with doors and windows closed.
- Do not expose to low air pressure at high altitudes.
- Do not expose to extremely low air pressure, as this may result in explosions or leakage of flammable liquids and gases.

Warning

Risk of fire, explosion and burns. Do not disassemble, heat above 60 °C or incinerate.

About the AC adaptor (supplied)

CAUTION!

- To reduce the risk of fire, electric shock or product damage,
- Do not install or place this unit in a bookcase, built-in cabinet or in another confined space. Ensure this unit is well ventilated.

- The AC adaptor is in the standby condition when the mains plug is connected. The primary circuit is always "live" as long as the mains plug is connected to an electrical outlet.

- Do not use any other USB connection cables except the one supplied with the camera or the Battery Charger (DMW-BTC15: optional).
- Always use a genuine Panasonic Shutter Remote Control (DMW-RS2: optional).
- Always use a genuine Panasonic Tripod Grip (DMW-SHGR1: optional).
- Use a Premium High Speed HDMI cable (Type A–Type A plug, up to 1.5 m (4.9 feet) long).
- Do not use the headphone cables with the length of 3 m (9.8 feet) or more.
- Do not use the stereo microphone cables with the length of 3 m (9.8 feet) or more.

- Keep the hot shoe cover out of reach of children to prevent swallowing.
- Keep the cover for the battery grip connector out of reach of children to prevent swallowing.
- Keep the memory card out of reach of children to prevent swallowing.
- Excessive sound pressure from earphones and headphones can cause hearing loss.
- When using an AC adaptor, ensure that the Panasonic DC Coupler (DMW-DCC17: optional) and AC Adaptor (DMW-AC10E: optional) are used.
- Always use a genuine Panasonic AC Adaptor (DMW-AC10E: optional).

Standard Accessories

Product numbers correct as of April 2023.

Digital camera body

Battery pack

DMW-BLK22

AC adaptor

VSK0815K/VSK0815L

USB connection cable

K1HY24YY0026

Shoulder strap

DVPW1031Z

Body cap^{*1}

1HE1MC891Z

Hot shoe cover^{*1}

DVYE1121Z

Cover for the battery grip connector^{*1}

SKF0145K

Interchangeable lens "LUMIX S 20-60mm F3.5-5.6"^{*2, 3}

S-R2060

Lens hood

1ZE4SR2060Z

Lens cap^{*4}

CGE1Z293Z

Lens rear cap^{*4}

RGE1Z276Z

Interchangeable lens "LUMIX S 50mm F1.8"^{*3, 5}

S-S50

Lens hood

1ZE2SS50Z

Lens cap^{*4}

CGE1Z293Z

Lens rear cap^{*4}

RGE1Z276Z

^{*1} This is attached to the camera at the time of purchase.

^{*2} This is supplied with Lens Kit DC-S5M2XC.

^{*3} This is supplied with Double Lens Kit DC-S5M2XW.

^{*4} This is attached to the lens at the time of purchase.

^{*5} This is supplied with Lens Kit DC-S5M2XC.

- Consult the dealer or Panasonic if you lose the supplied accessories. (You can purchase the accessories separately.)

For the United Kingdom and Ireland customers

Sales and Support Information

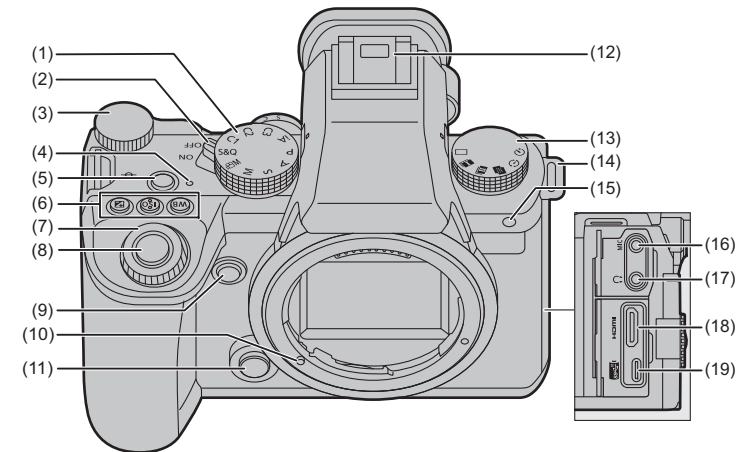
Customer Communications Centre

- For customers within the UK: 0344 844 3899
- For customers within Ireland: 01 289 8333
- Monday–Friday 9:00 am–5:00 pm (Excluding public holidays).
- For further support on your product, please visit our website: www.panasonic.co.uk

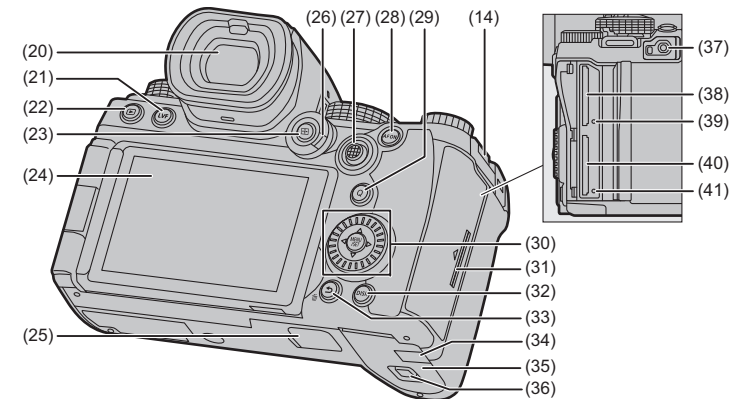
Direct Sales at Panasonic UK

- Order accessory and consumable items for your product with ease and confidence by phoning our Customer Communications Centre Monday–Friday 9:00 am–5:00 pm (Excluding public holidays).
- Or go on line through our Internet Accessory ordering application at www.pas-europe.com.
- Most major credit and debit cards accepted.
- All enquiries transactions and distribution facilities are provided directly by Panasonic UK.
- It couldn't be simpler!
- Also available through our Internet is direct shopping for a wide range of finished products. Take a browse on our website for further details.

Names of Important Parts



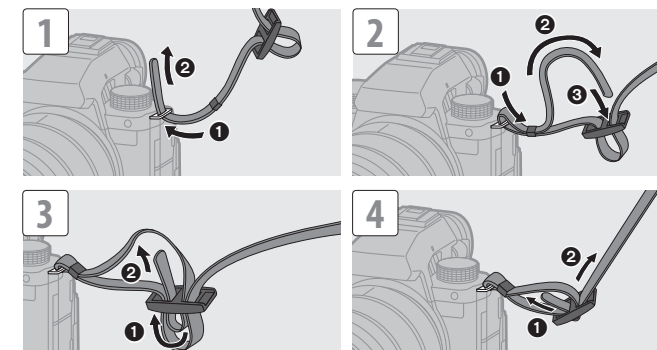
- | | |
|---|--|
| (1) Mode dial | (10) Lens lock pin (Lens fitting mark) |
| (2) Camera on/off switch | (11) Lens release button |
| (3) Rear dial | (12) Hot shoe (hot shoe cover) |
| (4) Charging light/Network connection light | (13) Drive mode dial |
| (5) Video rec. button | (14) Shoulder strap eyelet |
| (6) [WB] (White balance) button | (15) Self-timer light/AF assist light |
| [ISO] (ISO sensitivity) button | (16) [MIC] socket |
| [] (Exposure compensation) button | (17) Headphone socket |
| (7) Front dial | (18) HDMI socket |
| (8) Shutter button | (19) USB port |
| (9) Preview button | |



- | | |
|--|---|
| (20) Viewfinder | (31) Card door |
| (21) [LVF] button | (32) [DISP.] button |
| (22) [] (Playback) button | (33) [] (Cancel) button/ [] (Delete) button |
| (23) [] (AF mode) button | (34) DC coupler cover |
| (24) Monitor/Touch screen | (35) Battery door |
| (25) Battery grip connector (cover for the battery grip connector) | (36) Battery door release lever |
| (26) Focus mode lever | (37) [REMOTE] socket |
| (27) Joystick | (38) Card slot 1 |
| (28) [AF ON] button | (39) Card access light 1 |
| (29) [Q] (Quick menu) button | (40) Card slot 2 |
| (30) Control dial () | (41) Card access light 2 |
| Cursor buttons () | |
| [MENU/SET] button () | |

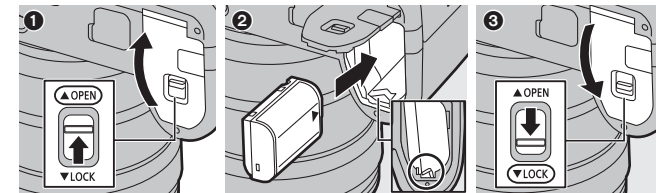
Attaching a Shoulder Strap

Attach a shoulder strap to the camera with the following procedure to prevent it from dropping.



Charging the Battery

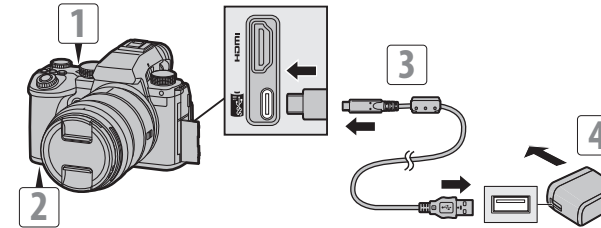
- Set the camera on/off switch to [OFF].
- Insert the battery into the camera.



- Connect the camera USB port and the AC adaptor using the USB connection cable.

- Connect the AC adaptor to an electrical outlet.

- The charging light turns red and charging begins. The charging light turns off when charging is complete.



Charging time Approx. 220 min

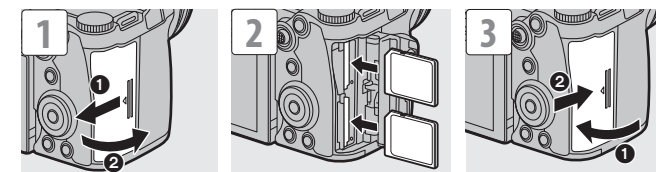
- Using the camera body and the supplied AC adaptor.

- The battery that can be used with the camera is DMW-BLK22. (As of April 2023)
- Always use genuine Panasonic batteries (DMW-BLK22).
- If you use other batteries, we cannot guarantee the quality of this product.
- For charging, use this camera or the Battery Charger (DMW-BTC15: optional) and the items supplied with them.
- Do not use any other AC adaptors except the one supplied with the camera or the Battery Charger (DMW-BTC15: optional).
- Even when the camera on/off switch is set to [OFF] thus turning the camera off, it consumes power. When the camera will not be used for a long time, remove the power plug from the electrical outlet in order to save power.

Inserting Cards (Optional)

You can use SD memory cards with this camera.

- For information on memory cards with confirmed operation, check the following support site: <https://panasonic.jp/support/global/cs/dsc/connect/index.html> (English only)



- Match the orientation of the cards as shown in the figure and then insert them firmly until they click.
- To remove a card, confirm that the corresponding card access light has turned off, push the card until it clicks, then pull the card out straight.
- Format the cards with the camera before use. ⇒ [] ⇒ [] ⇒ Select [Card Format]

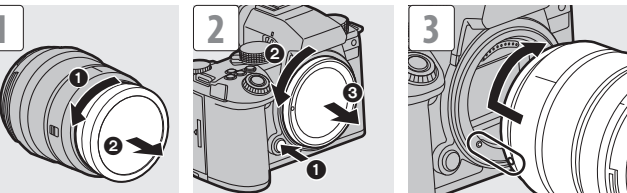
Attaching a Lens

The lens mount of this camera is compliant with the L-Mount standard of Leica Camera AG.

- Refer to catalogs/websites for information regarding supported lenses. <https://panasonic.jp/support/global/cs/dsc/connect/index.html> (English only)

– Attaching commercially available accessories that do not comply with the L-Mount standard may lead to operation failure or malfunction of the camera.

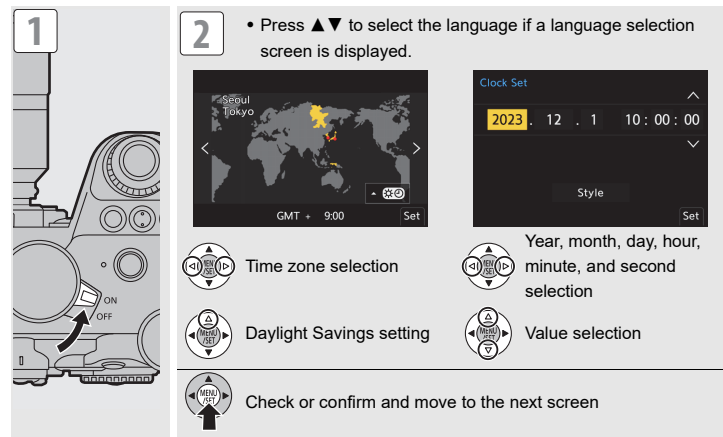
If a failure or malfunction occurs due to this cause, the warranty will be void.



- When removing the lens or body cap, rotate while pressing the lens release button.

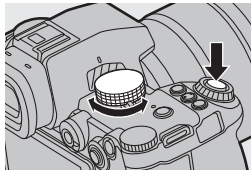
Setting the Clock (When Turning On for the First Time)

When you turn the camera on for the first time, a screen to set the time zone and clock appears. Follow the message to make the settings.



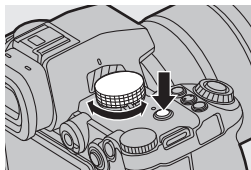
Taking Pictures

- Rotate the mode dial to select the recording mode ([iA]/[P]/[A]/[S]/[M]).
- Press the shutter button halfway (press it gently) to focus.
- Press the shutter button fully (press it further) to take pictures.

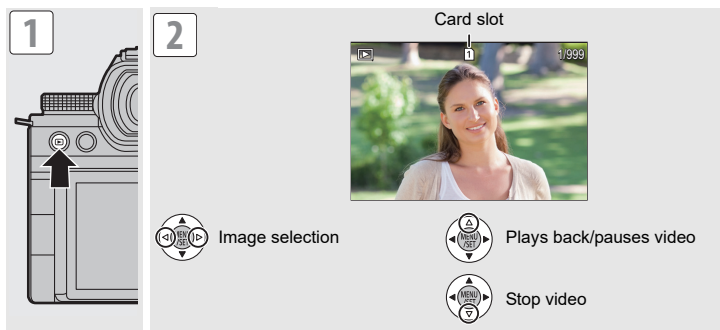


Recording Videos

- Rotate the mode dial to select the recording mode.
- Press the video rec. button to start recording.
- Press the video rec. button again to end recording.



Playing Back Images



Cautions for Use

❖ Firmware of Your Camera/Lens

Firmware updates may be provided in order to improve camera capabilities or to add functionality.

- For the latest information on the firmware or to download/update the firmware, visit the following support site: <https://panasonic.jp/support/global/cs/dsc/download/index4.html>

(English only)

❖ Splash Resistant

Splash Resistant is a term used to describe an extra level of protection this camera offers against exposure to a minimal amount of moisture, water or dust. Splash Resistant does not guarantee that damage will not occur if this camera is subjected to direct contact with water.

In order to minimize the possibility of damage please be sure the following precautions are taken:

- Splash Resistant works in conjunction with the lenses that were specifically designed to support this feature.
- Securely close the doors, contact points cover, etc.
- When the lens or cap is removed or a door is open, do not allow sand, dust, and moisture to enter inside.
- If liquid gets on the camera, wipe it off with a dry soft cloth.

❖ Be Sure to Perform Trial Recording in Advance

Be sure to perform trial recording in advance to check that recording can be performed normally.

Please note that compensation cannot be provided in the event that recording could not be performed due to a problem with the camera or a card.

❖ Be Careful with Regard to Copyrights

Under copyright law, you may not use the images and audio you have recorded without the permission of the copyright holder.

❖ The camera

Keep this unit as far away as possible from electromagnetic equipment (such as microwave ovens, TVs, video games etc.).

- If you use this unit on top of or near a TV, the pictures and/or sound on this unit may be disrupted by electromagnetic wave radiation.
- Do not use this unit near cell phones because doing so may result in noise adversely affecting the pictures and/or sound.
- Recorded data may be damaged, or pictures may be distorted, by strong magnetic fields created by speakers or large motors.
- Electromagnetic wave radiation may adversely affect this unit, disturbing the pictures and/or sound.
- If this unit is adversely affected by electromagnetic equipment and stops functioning properly, turn this unit off and remove the battery or disconnect AC adaptor. Then reinsert the battery or reconnect AC adaptor and turn this unit on.

Do not use this unit near radio transmitters or high-voltage lines.

- If you record near radio transmitters or high-voltage lines, the recorded pictures and/or sound may be adversely affected.

❖ Wi-Fi® Function

Use of the Wi-Fi function of the camera is presumed to be in countries where it is sold.

There is the risk that the camera violates the radio wave regulations if used in countries other than those where it is sold, and Panasonic takes no responsibility for any violations.

- Please be advised that Panasonic is not liable for any damage directly or indirectly caused by use or malfunction of this product.
- Please be advised that Panasonic is not liable for any damage to data caused by this product.
- The external design and specifications of this product, as described in this document, may differ from the actual product due to improvements made.

Main Specifications

The specifications are subject to change for performance enhancement.

Digital camera body (DC-S5M2X):

Information for your safety

| | |
|---------------------------|--|
| Power source: | 9.0 V === |
| Power consumption: | 4.9 W (when recording with the monitor), 3.9 W (when playing back with the monitor) [When using the interchangeable lens (S-R2060)] 5.0 W (when recording with the monitor), 4.0 W (when playing back with the monitor) [When using the interchangeable lens (S-S50)] |

| Type | |
|------------------------|--|
| Type | Digital Single Lens Mirrorless camera |
| Lens mount | Leica Camera AG L-Mount |
| Recording media | SD memory card / SDHC memory card / SDXC memory card |

| Image sensor | |
|---|--|
| Image sensor | 35 mm full-frame (35.6 mm×23.8 mm) CMOS sensor, a total of 25,280,000 pixels, primary color filter |
| Effective number of pixels of the camera | 24,200,000 pixels |

| Viewfinder | |
|----------------------|--|
| Type | Aspect ratio 4:3, 0.5 inches, approx. 3,680,000 dots, organic EL (OLED) live view viewfinder |
| Magnification | Approx. 0.78× (−1.0 m ^{−1} 50 mm at infinity, with aspect ratio set to [3:2]) |

| Monitor | |
|-------------|---|
| Type | Aspect ratio 3:2, 3.0 inches, approx. 1,840,000 dots monitor, capacitive touch screen |

| Interface | |
|-------------------|---|
| USB | USB Type-C®, SuperSpeed USB 10Gbps (USB 3.2 Gen 2) Supports USB Power Delivery (9.0 V/3.0 A) Output: DC 5 V, 900 mA • Data from the PC cannot be written to the camera using the USB connection cable. |
| HDMI | HDMI Type A |
| [REMOTE] | ∅2.5 mm jack |
| [MIC] | ∅3.5 mm stereo mini jack |
| Headphones | ∅3.5 mm stereo mini jack |

| External dimensions / Mass (Weight) | |
|-------------------------------------|--|
| External dimensions | Approx. 134.3 mm (W)×102.3 mm (H)×90.1 mm (D) (5.29" (W)×4.03" (H)×3.55" (D)) (excluding the projecting parts) |
| Mass (Weight) | Approx. 740 g/1.64 lb (camera body, with battery and one card) Approx. 657 g/1.45 lb (only camera body) |

| Operating environment | |
|--|---------------------------------|
| Recommended operating temperature | 0 °C to 40 °C (32 °F to 104 °F) |
| Permissible relative humidity | 10 %RH to 80 %RH |

| Wi-Fi | |
|---|--|
| Compliance standard | IEEE 802.11a/b/g/n/ac (standard wireless LAN protocol) |
| Frequency range used (central frequency) | 2412 MHz to 2472 MHz (1 to 13ch) 5180 MHz to 5320 MHz (36/40/44/48/52/56/60/64ch) 5500 MHz to 5700 MHz (100/104/108/112/116/120/124/128/132/136/140ch) 5745 MHz to 5825 MHz (149/153/157/161/165ch) |
| Encryption method | Wi-Fi compliant WPA™ / WPA2™ / WPA3™ |
| Access method | Infrastructure mode |

| Bluetooth® | |
|---|--|
| Compliance standard | Bluetooth v5.0, Bluetooth Low Energy (BLE) |
| Frequency range used (central frequency) | 2402 MHz to 2480 MHz |

AC adaptor (Panasonic VSK0815K/VSK0815L):

Information for your safety

| | |
|-------------------------------|---------------------------------|
| Input: | 110 V–240 V ~ 50/60 Hz 0.25 A |
| Output: | 5.0 V === 1.8 A |
| Operating temperature: | 0 °C to 40 °C (32 °F to 104 °F) |

For more information about the energy efficiency of the product, please visit our website, www.panasonic.com, and enter the model number in the search box.

Battery pack (lithium-ion) (Panasonic DMW-BLK22):

Information for your safety

| | |
|--------------------------|------------------|
| Voltage/capacity: | 7.2 V / 2200 mAh |
|--------------------------|------------------|

The symbols on this product (including the accessories) represent the following:

| | |
|-----|---|
| ~ | AC |
| === | DC |
| | Class II equipment (The construction of the product is double-insulated.) |

Trademarks and Licenses

- L-Mount is a trademark or registered trademark of Leica Camera AG.

- SDXC Logo is a trademark of SD-3C, LLC.

- The terms HDMI and HDMI High-Definition Multimedia Interface, and the HDMI Logo are trademarks or registered trademarks of HDMI Licensing Administrator, Inc. in the United States and other countries.

- USB Type-C® and USB-C® are registered trademarks of USB Implementers Forum.

- The USB Type-C® Charging Trident Logos are trademarks of USB Implementers Forum, Inc.

- The SuperSpeed USB 10Gbps Trident Logo is a registered trademark of USB Implementers Forum, Inc.

- QuickTime and the QuickTime logo are trademarks or registered trademarks of Apple Inc., used under license therefrom.

- The Bluetooth® word mark and logos are registered trademarks owned by Bluetooth SIG, Inc. and any use of such marks by Panasonic Holdings Corporation is under license. Other trademarks and trade names are those of their respective owners.

- “Wi-Fi®” is a registered trademark of Wi-Fi Alliance®.

- “WPA™”, “WPA2™”, and “WPA3™” are trademarks of Wi-Fi Alliance®.

- QR Code is a registered trademark of DENSO WAVE INCORPORATED.

- Other names, company names, product names mentioned in this document are trademarks or registered trademarks of the companies concerned.

At least three (3) years from delivery of this product, Panasonic will give to any third party who contacts us at the contact information provided below, for a charge no more than our cost of physically performing source code distribution, a complete machine-readable copy of the corresponding source code covered under GPL V2.0 or LGPL V2.1, as well as the respective copyright notice thereof.

Contact Information: oss-cd-request@gg.jp.panasonic.com

The source code and the copyright notice are also available for free in our website below. <https://panasonic.net/cns/oss/index.html>

This product is licensed under the AVC Patent Portfolio License for the personal use of a consumer or other uses in which it does not receive remuneration to (i) encode video in compliance with the AVC Standard (“AVC Video”) and/or (ii) decode AVC Video that was encoded by a consumer engaged in a personal activity and/or was obtained from a video provider licensed to provide AVC Video. No license is granted or shall be implied for any other use. Additional information may be obtained from MPEG LA, L.L.C. See <http://www.mpegla.com>

