

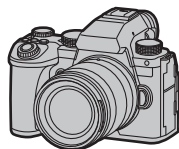


## Operating Instructions

### <Quick Start Guide>

Digital Camera

Model No. **DC-G9M2**



LUMIX

Please read these instructions carefully before using this product, and save this manual for future use.

### Operating Instructions <Complete Guide>



Refer to "Operating Instructions <Complete Guide>" (HTML format/PDF format) for details about how to use the camera and notes on use.

<https://panasonic.jp/support/dsc/oi/G9M2/index.html>

Panasonic Entertainment & Communication Co., Ltd.

Web Site: <http://www.panasonic.com>

© Panasonic Entertainment & Communication Co., Ltd. 2023

DVQX2417ZA  
F0823KN0

### Dear Customer,

We would like to take this opportunity to thank you for purchasing this Panasonic Digital Camera. Please read this document carefully and keep it handy for future reference. Please note that the actual controls and components, menu items, etc. of your Digital Camera may look somewhat different from those shown in the illustrations in this document.

## Information for Your Safety

### WARNING:

To reduce the risk of fire, electric shock or product damage,

- Do not expose this unit to rain, moisture, dripping or splashing.
- Use the recommended accessories.
- Do not remove covers.
- Do not repair this unit by yourself. Refer servicing to qualified service personnel.

The socket outlet shall be installed near the equipment and shall be easily accessible.

### Product identification marking

Product	Location
Digital camera	Bottom

### About the battery pack

#### CAUTION

- Danger of explosion if battery is incorrectly replaced. Replace only with the type recommended by the manufacturer.
- When disposing of the batteries, please contact your local authorities or dealer and ask for the correct method of disposal.

- Do not heat or expose to flame.
- Do not leave the battery(ies) in a car exposed to direct sunlight for a long period of time with doors and windows closed.
- Do not expose to low air pressure at high altitudes.
- Do not expose to extremely low air pressure, as this may result in explosions or leakage of flammable liquids and gases.

#### Warning

Risk of fire, explosion and burns. Do not disassemble, heat above 60 °C or incinerate.

### About the AC adaptor (supplied)

#### CAUTION!

To reduce the risk of fire, electric shock or product damage,

- Do not install or place this unit in a bookcase, built-in cabinet or in another confined space. Ensure this unit is well ventilated.

- The AC adaptor is in the standby condition when the mains plug is connected. The primary circuit is always "live" as long as the mains plug is connected to an electrical outlet.

- Do not use any other USB connection cables except the one supplied with the camera or the Battery Charger (DMW-BTC15: optional).
- Always use a genuine Panasonic Shutter Remote Control (DMW-RS2: optional).
- Always use a genuine Panasonic Tripod Grip (DMW-SHGR1: optional).
- Use a Premium High Speed HDMI cable (Type A–Type A plug, up to 1.5 m (4.9 feet) long).
- Do not use the headphone cables with the length of 3 m (9.8 feet) or more.
- Do not use the stereo microphone cables with the length of 3 m (9.8 feet) or more.

- Keep the hot shoe cover out of reach of children to prevent swallowing.
- Keep the cover for the battery grip connector out of reach of children to prevent swallowing.
- Keep the memory card out of reach of children to prevent swallowing.
- Excessive sound pressure from earphones and headphones can cause hearing loss.
- When using an AC adaptor, ensure that the Panasonic DC Coupler (DMW-DCC17: optional) and AC Adaptor (DMW-AC10G: optional) are used.
- Always use a genuine Panasonic AC Adaptor (DMW-AC10G: optional).

## Standard Accessories

Product numbers correct as of September 2023.

### Digital camera body

<b>Battery pack</b> DMW-BLK22	<b>Body cap</b> <sup>1</sup> VKF4971
<b>AC adaptor</b> VSK0815M	<b>Hot shoe cover</b> <sup>1</sup> 4HR1MC5229Z
<b>USB connection cable</b> K1HY24YY0026	<b>Cover for the battery grip connector</b> <sup>1</sup> SKF0145K
<b>Shoulder strap</b> DVPW1030Z	

**Interchangeable lens "LUMIX G VARIO 12-60mm/F3.5-5.6 ASPH./POWER O.I.S."<sup>1,2</sup>**  
H-FS12060

<b>Lens hood</b> SYA0066	<b>Lens rear cap</b> <sup>3</sup> 1GE1Z136Z
<b>Lens cap</b> <sup>3</sup> DVZE1047Z	

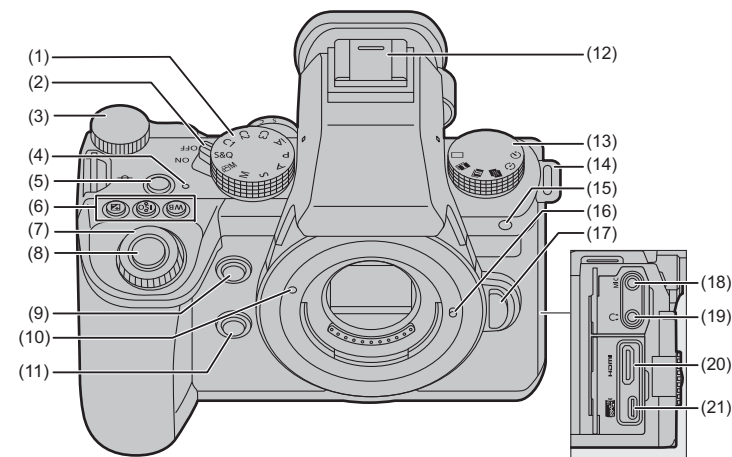
<sup>1</sup> This is attached to the camera at the time of purchase.

<sup>2</sup> This is supplied with Lens Kit DC-G9M2M.

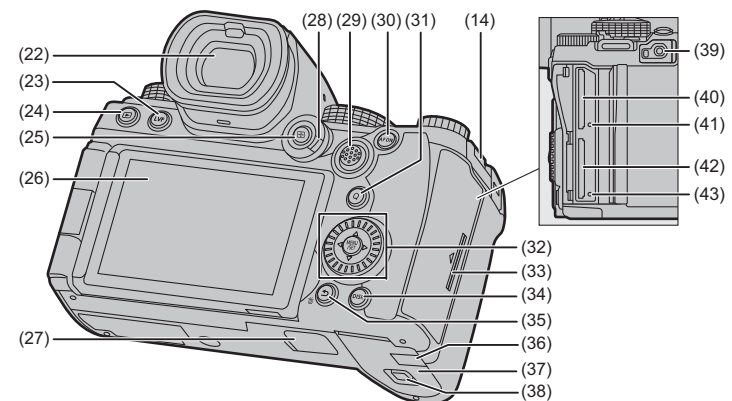
<sup>3</sup> This is attached to the lens at the time of purchase.

- Consult the dealer or Panasonic if you lose the supplied accessories. (You can purchase the accessories separately.)

## Names of Important Parts



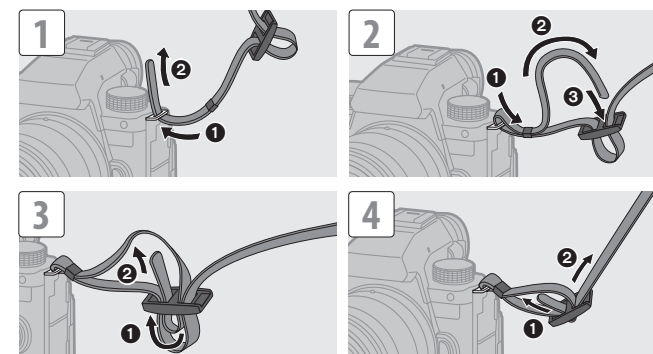
- |   |                                       |
|---|---------------------------------------|
| (1) Mode dial                               | (11) Preview button                   |
| (2) Camera on/off switch                    | (12) Hot shoe (hot shoe cover)        |
| (3) Rear dial                               | (13) Drive mode dial                  |
| (4) Charging light/Network connection light | (14) Shoulder strap eyelet            |
| (5) Video rec. button                       | (15) Self-timer light/AF assist light |
| (6) [WB] (White balance) button             | (16) Lens lock pin                    |
| [ISO] (ISO sensitivity) button              | (17) Lens release button              |
| [ ] (Exposure compensation) button          | (18) [MIC] socket                     |
| (7) Front dial                              | (19) Headphone socket                 |
| (8) Shutter button                          | (20) HDMI socket                      |
| (9) AF-Point Scope button                   | (21) USB port                         |
| (10) Lens fitting mark                      |                                       |



- |  |  |
|--|--|
| (22) Viewfinder  | (33) Card door                                   |
| (23) [LVF] button  | (34) [DISP.] button                              |
| (24) [ ] (Playback) button   | (35) [ ] (Cancel) button/<br>[ ] (Delete) button |
| (25) [ ] (AF mode) button  | (36) DC coupler cover                            |
| (26) Monitor/Touch screen  | (37) Battery door                                |
| (27) Battery grip connector (cover for the battery grip connector) | (38) Battery door release lever                  |
| (28) Focus mode lever  | (39) [REMOTE] socket                             |
| (29) Joystick  | (40) Card slot 1                                 |
| (30) [AF ON] button  | (41) Card access light 1                         |
| (31) [Q] (Quick menu) button                                       | (42) Card slot 2                                 |
| (32) Control dial ( )  | (43) Card access light 2                         |
| Cursor buttons (▲▼◀▶)  |  |
| [MENU/SET] button ( )  |  |

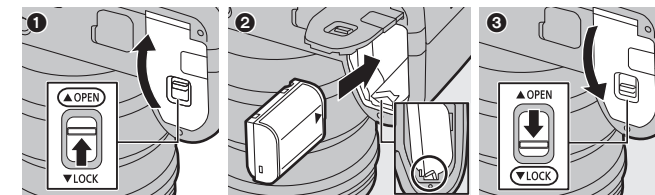
## Attaching a Shoulder Strap

Attach a shoulder strap to the camera with the following procedure to prevent it from dropping.



## Charging the Battery

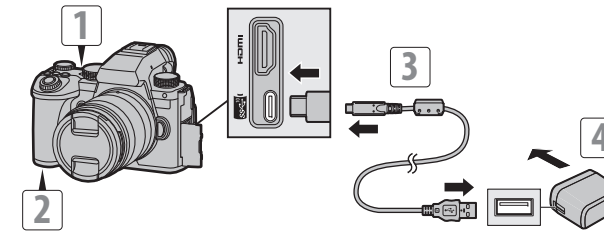
- 1 Set the camera on/off switch to [OFF].
- 2 Insert the battery into the camera.



- 3 Connect the camera USB port and the AC adaptor using the USB connection cable.

- 4 Connect the AC adaptor to an electrical outlet.

- The charging light turns red and charging begins. The charging light turns off when charging is complete.



**Charging time**      Approx. 220 min

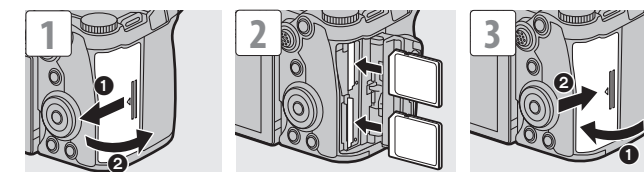
- Using the camera body and the supplied AC adaptor.

- The battery that can be used with the camera is DMW-BLK22. (As of September 2023)
- **Always use genuine Panasonic batteries (DMW-BLK22).**
- **If you use other batteries, we cannot guarantee the quality of this product.**
- **For charging, use this camera or the Battery Charger (DMW-BTC15: optional) and the items supplied with them.**
- Do not use any other AC adaptors except the one supplied with the camera or the Battery Charger (DMW-BTC15: optional).
- Even when the camera on/off switch is set to [OFF] thus turning the camera off, it consumes power. When the camera will not be used for a long time, remove the power plug from the electrical outlet in order to save power.

## Inserting Cards (Optional)

You can use SD memory cards with this camera.

- For information on memory cards with confirmed operation, check the following support site:  
<https://panasonic.jp/support/global/cs/dsc/connect/index.html> (English only)



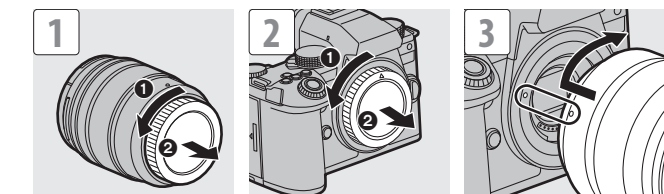
- Match the orientation of the cards as shown in the figure and then insert them firmly until they click.
- To remove a card, confirm that the corresponding card access light has turned off, push the card until it clicks, then pull the card out straight.
- Format the cards with the camera before use.  
[MENU] → [ ] → [ ] → Select [Card Format]

## Attaching a Lens

The camera can use the dedicated lenses that comply with the Micro Four Thirds™ system lens mount specification (Micro Four Thirds mount).



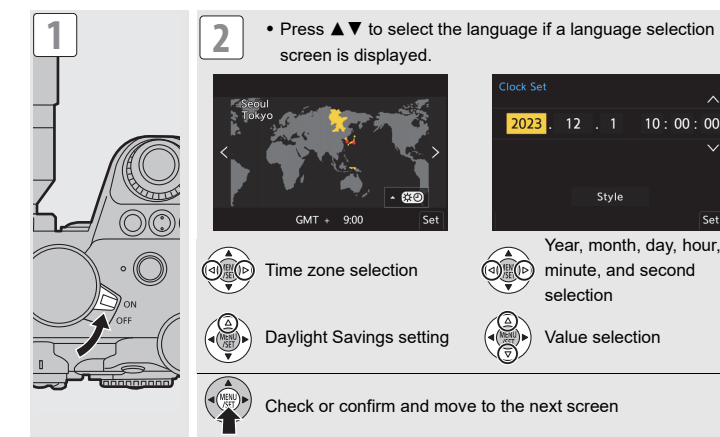
- Refer to catalogs/websites for information regarding supported lenses.  
<https://panasonic.jp/support/global/cs/dsc/connect/index.html> (English only)



- When removing the lens, rotate while pressing the lens release button.

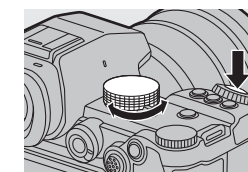
## Setting the Clock (When Turning On for the First Time)

When you turn the camera on for the first time, a screen to set the time zone and clock appears. Follow the message to make the settings.



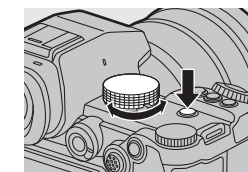
## Taking Pictures

- 1 Rotate the mode dial to select the recording mode ([iA]/[P]/[A]/[S]/[M]).
- 2 Press the shutter button halfway (press it gently) to focus.
- 3 Press the shutter button fully (press it further) to take pictures.

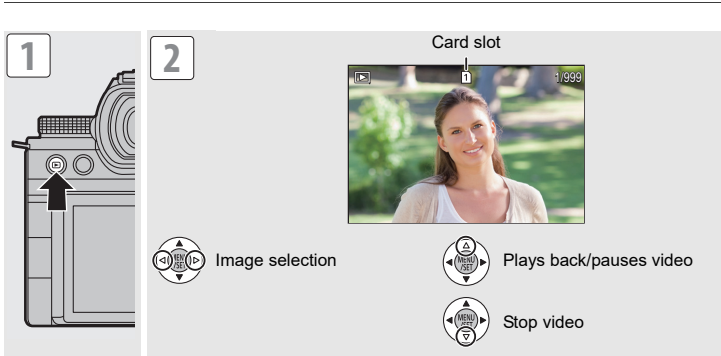


## Recording Videos

- 1 Rotate the mode dial to select the recording mode.
- 2 Press the video rec. button to start recording.
- 3 Press the video rec. button again to end recording.




## Playing Back Images



## Cautions for Use

### ❖ Firmware of Your Camera/Lens

Firmware updates may be provided in order to improve camera capabilities or to add functionality.

- For the latest information on the firmware or to download/update the firmware, visit the following support site:** **https://panasonic.jp/support/global/cs/dsc/download/index.html**  (English only)

### ❖ Splash Resistant

**Splash Resistant is a term used to describe an extra level of protection this camera offers against exposure to a minimal amount of moisture, water or dust. Splash Resistant does not guarantee that damage will not occur if this camera is subjected to direct contact with water.**

**In order to minimize the possibility of damage please be sure the following precautions are taken:**

- Splash Resistant works in conjunction with the lenses that were specifically designed to support this feature.
- Securely close the doors, contact points cover, etc.
- When the lens or cap is removed or a door is open, do not allow sand, dust, and moisture to enter inside.
- If liquid gets on the camera, wipe it off with a dry soft cloth.

### ❖ Be Sure to Perform Trial Recording in Advance

Be sure to perform trial recording in advance to check that recording can be performed normally.

Please note that compensation cannot be provided in the event that recording could not be performed due to a problem with the camera or a card.

### ❖ Be Careful with Regard to Copyrights

Under copyright law, you may not use the images and audio you have recorded without the permission of the copyright holder.

### ❖ Caution with Strong Light Beams Such as Laser Light

Do not allow strong light beams, such as laser light, to be directly exposed to this camera (lens). These can destroy the image sensor and cause the camera to malfunction.

### ❖ The camera

**Keep this unit as far away as possible from electromagnetic equipment (such as microwave ovens, TVs, video games etc.).**

- If you use this unit on top of or near a TV, the pictures and/or sound on this unit may be disrupted by electromagnetic wave radiation.
- Do not use this unit near cell phones because doing so may result in noise adversely affecting the pictures and/or sound.
- Recorded data may be damaged, or pictures may be distorted, by strong magnetic fields created by speakers or large motors.
- Electromagnetic wave radiation may adversely affect this unit, disturbing the pictures and/or sound.
- If this unit is adversely affected by electromagnetic equipment and stops functioning properly, turn this unit off and remove the battery or disconnect AC adaptor. Then reinsert the battery or reconnect AC adaptor and turn this unit on.

**Do not use this unit near radio transmitters or high-voltage lines.**

- If you record near radio transmitters or high-voltage lines, the recorded pictures and/or sound may be adversely affected.

### ❖ Wi-Fi® Function

**Use of the Wi-Fi function of the camera is presumed to be in countries where it is sold.**

There is the risk that the camera violates the radio wave regulations if used in countries other than those where it is sold, and Panasonic takes no responsibility for any violations.

- Please be advised that Panasonic is not liable for any damage directly or indirectly caused by use or malfunction of this product.
- Please be advised that Panasonic is not liable for any damage to data caused by this product.
- The external design and specifications of this product, as described in this document, may differ from the actual product due to improvements made.

## Main Specifications

The specifications are subject to change for performance enhancement.

**Digital camera body (DC-G9M2):**

<b>Power source:</b>	9.0 V===
<b>Power consumption:</b>	4.5 W (when recording with the monitor), 3.6 W (when playing back with the monitor) [When using the interchangeable lens (H-FS12060)]

Type	
<b>Type</b>	Digital Single Lens Mirrorless camera
<b>Lens mount</b>	Micro Four Thirds Mount
<b>Recording media</b>	SD memory card / SDHC memory card / SDXC memory card
Image sensor	
<b>Image sensor</b>	4/3" Live MOS sensor, a total of 26,520,000 pixels, primary color filter
<b>Effective number of pixels of the camera</b>	25,210,000 pixels
Viewfinder	
<b>Type</b>	Aspect ratio 4:3, 0.5 inches, approx. 3,680,000 dots, organic EL (OLED) live view viewfinder
<b>Magnification</b>	Approx. 1.6×, Approx. 0.8× (35 mm film camera equivalent), −1.0 m <sup>−1</sup> 50 mm at infinity, with aspect ratio set to [4:3]
Monitor	
<b>Type</b>	Aspect ratio 3:2, 3.0 inches, approx. 1,840,000 dots monitor, capacitive touch screen

Interface	
<b>USB</b>	USB Type-C®, SuperSpeed USB 10Gbps (USB 3.2 Gen 2) Supports EL (Power Delivery (9.0 V/3.0 A) Output: DC 5 V, 900 mA
<b>HDMI</b>	HDMI Type A
<b>[REMOTE]</b>	∅2.5 mm jack
<b>[MIC]</b>	∅3.5 mm stereo mini jack
<b>Headphones</b>	∅3.5 mm stereo mini jack

External dimensions / Mass (Weight)	
<b>External dimensions</b>	Approx. 134.3 mm (W)×102.3 mm (H)×90.1 mm (D) (5.29" (W)×4.03" (H)×3.55" (D)) (excluding the projecting parts)
<b>Mass (Weight)</b>	Approx. 658 g/1.45 lb (camera body, with battery and one card) Approx. 575 g/1.27 lb (only camera body)

Operating environment	
<b>Recommended operating temperature</b>	−10 <span> </span> °C to 40 <span> </span> °C (14 <span> </span> °F to 104 <span> </span> °F)
<b>Permissible relative humidity</b>	10 <span> </span> %RH to 80 <span> </span> %RH

Wi-Fi	
<b>Compliance standard</b>	IEEE 802.11a/b/g/n/ac (standard wireless LAN protocol)
<b>Frequency range used (central frequency)</b>	2412 MHz to 2472 MHz (1 to 13ch) 5180 MHz to 5320 MHz (36/40/44/48/52/56/60/64ch) 5500 MHz to 5700 MHz (100/104/108/112/116/132/136/140ch) 5745 MHz to 5825 MHz (149/153/157/161/165ch)
<b>Encryption method</b>	Wi-Fi compliant WPA™ / WPA2™ / WPA3™
<b>Access method</b>	Infrastructure mode

Bluetooth®	
<b>Compliance standard</b>	Bluetooth v5.0, Bluetooth Low Energy (BLE)
<b>Frequency range used (central frequency)</b>	2402 MHz to 2480 MHz




**AC adaptor (Panasonic VSK0815M):**

<b>Input:</b>	110 V~240 V ~ 50/60 Hz 0.25 A
<b>Output:</b>	5.0 V=== 1.8 A
<b>Operating temperature:</b>	0 <span> </span> °C to 40 <span> </span> °C (32 <span> </span> °F to 104 <span> </span> °F)

**Battery pack (lithium-ion) (Panasonic DMW-BLK22):**

<b>Voltage/capacity:</b>	7.2 V / 2200 mAh
--------------------------	------------------

The symbols on this product (including the accessories) represent the following:

	AC
	DC
	Class II equipment (The construction of the product is double-insulated.)

## Trademarks and Licenses

- Micro Four Thirds™ and Micro Four Thirds Logo marks are trademarks or registered trademarks of OM Digital Solutions Corporation, in Japan, the United States, the European Union and other countries.
- SDXC Logo is a trademark of SD-3C, LLC.
- The terms HDMI, HDMI High-Definition Multimedia Interface, HDMI Trade dress and the HDMI Logos are trademarks or registered trademarks of HDMI Licensing Administrator, Inc.
- USB Type-C® and USB-C® are registered trademarks of USB Implementers Forum.
- The USB Type-C® Charging Trident Logos are trademarks of USB Implementers Forum, Inc.
- The SuperSpeed USB 10Gbps Trident Logo is a registered trademark of USB Implementers Forum, Inc.
- QuickTime and the QuickTime logo are trademarks or registered trademarks of Apple Inc., used under license therefrom.
- The Bluetooth® word mark and logos are registered trademarks owned by Bluetooth SIG, Inc. and any use of such marks by Panasonic Holdings Corporation is under license. Other trademarks and trade names are those of their respective owners.
- "Wi-Fi®" is a registered trademark of Wi-Fi Alliance®.
- "WPA™", "WPA2™", and "WPA3™" are trademarks of Wi-Fi Alliance®.
- QR Code is a registered trademark of DENSO WAVE INCORPORATED.
- Other names, company names, product names mentioned in this document are trademarks or registered trademarks of the companies concerned.




At least three (3) years from delivery of this product, Panasonic will give to any third party who contacts us at the contact information provided below, for a charge no more than our cost of physically performing source code distribution, a complete machine-readable copy of the corresponding source code covered under GPL V2.0 or LGPL V2.1, as well as the respective copyright notice thereof.

Contact Information: oss-cd-request@gg.jp.panasonic.com

The source code and the copyright notice are also available for free in our website below. https://panasonic.net/cns/oss/index.html

This product is licensed under the AVC Patent Portfolio License for the personal use of a consumer or other uses in which it does not receive remuneration to (i) encode video in compliance with the AVC Standard ("AVC Video") and/or (ii) decode AVC Video that was encoded by a consumer engaged in a personal activity and/or was obtained from a video provider licensed to provide AVC Video. No license is granted or shall be implied for any other use. Additional information may be obtained from MPEG LA, L.L.C. See <http://www.mpegla.com>

#### -If you see this symbol-

		<b>Disposal of Old Equipment and Batteries Only for European Union and countries with recycle systems</b> These symbols are only valid in the European Union and countries with recycle systems. If you wish to discard this product, please contact your local authorities or dealer and ask for the correct method of disposal.
		

**For Australia**

### Panasonic Warranty

- Subject to the conditions of this warranty Panasonic or its Authorised Service Centre will perform necessary service on the product, without charge for parts or labour, if in the opinion of Panasonic the product is found to have a manufacturing defect within one (1) year or (12 months) (the "warranty period") from the date of purchase appearing on your purchase receipt.
- This warranty only applies to Panasonic products purchased in Australia and sold by Panasonic Australia, it's Authorised Distributors, or Dealers, and only where the products are used and serviced within Australia or its territories. Warranty cover only applies to the services that are carried out by a Panasonic Authorised Service Centre and only if valid proof of purchase is presented when the warranty service is requested.
- This warranty only applies if the product has been installed and/or used in accordance with the manufacturer's recommendations (as noted in the operating instructions) under normal use and reasonable care (in the opinion of Panasonic). The warranty does not cover damage, malfunction or failure resulting from use of incorrect voltages, incorrect installation, accident, misuse, neglect, build-up of dirt or dust, abuse, maladjustment of customer controls, mains supply problems, thunderstorm activity, infestation by insects or vermin, tampering or repair by unauthorised persons (including unauthorised alterations), exposure to abnormally corrosive conditions, or any foreign object or matter having entered the product.

- This warranty does not cover the following items unless the fault or defect existed at the time of purchase:
  - Consumable parts
  - Cosmetic parts
  - Worn or damaged parts
  - Information stored on Hard Disk Drives, Optical Discs, USB Devices, SD Cards, Tapes
  - DTV reception issues caused by TV Aerial / Cabling / Wall socket(s)
- Some products may be supplied with Ethernet connection hardware. The warranty is limited on such products and will not cover:
  - Internet and or DLNA connection / setup related problems
  - Access fees and or charges incurred for internet connection
  - Incompatible software or software not specifically stipulated in the product operations manual; and
  - Any indirect or consequential costs associated with the incorrect use or misuse of the hardware, its connection to the internet or any other device.

- To claim warranty service, when required, you should:
  - Contact Panasonic's Customer Care Centre on 132 600 for Service Centre Information.
  - Confirm the opening and acceptance times with the Authorised Service centre that you choose.
  - Then send or take the product to a Panasonic Authorised Service Centre together with your proof of purchase receipt.
  - Any freight and insurance costs associated with the transport of the product to and/or from your nearest Authorised Service Centre must be arranged and paid for by you.

- The warranties hereby conferred do not extend to, and exclude, any costs associated with the installation, de-installation or re-installation of a product, including costs related to the mounting, de-mounting or remounting of any screen, (and any other ancillary activities), delivery, handling, freighting, transportation or insurance of the product or any part thereof or replacement of and do not extend to, and exclude, any damage or loss occurring by reason of, during, associated with, or related to such installation, de-installation, re-installation or transit.

Panasonic Authorised Service Centres are located in major metropolitan areas and most regional centres of Australia, however, coverage will vary dependant on product. For advice on exact Authorised Service Centre locations for your product, please telephone our Customer Care Centre on 132600 or visit our website and use the Service Centre Locator.

In addition to your rights under this warranty, Panasonic products come with consumer guarantees that cannot be excluded under the Australian Consumer Law. If there is a major failure with the product, you can reject the product and elect to have a refund or to have the product replaced or if you wish you may elect to keep the goods and be compensated for the drop in value of the goods. You are also entitled to have the product repaired or replaced if the product fails to be of acceptable quality and the failure does not amount to a major failure.

If there is a major failure in regard to the product which cannot be remedied then you must notify us within a reasonable period by contacting the Panasonic Customer Care Centre. If the failure in the product is not a major failure then Panasonic may choose to repair or replace the product and will do so in a reasonable period of time from receiving notice from you.

**THIS WARRANTY CARD AND THE PURCHASE DOCKET (OR SIMILAR PROOF OF PURCHASE) SHOULD BE RETAINED BY THE CUSTOMER AT ALL TIMES**

If you require assistance regarding warranty conditions or any other enquiries, please visit the Panasonic Australia website **www.panasonic.com.au** or contact by phone on **132 600** *If phoning in, please ensure you have your operating instructions available.*

<b>Panasonic Australia Pty. Limited</b> ACN 001 592 187 ABN 83 001 592 187 1 Innovation Road, Macquarie Park NSW 2113 www.panasonic.com.au	
PRO-031-F11 Issue: 5.0	23-01-2018