



4MP PTZ Network Camera

Panasonic PTZ camera is equipped with high quality Back-side illumination (BSI) and Near-field Infrared (NIR) sensors, capable of generating high quality images. Supporting up to 25x optical zoom lens, could deliver top-notch 2560x1440@30fps image details over a large area.

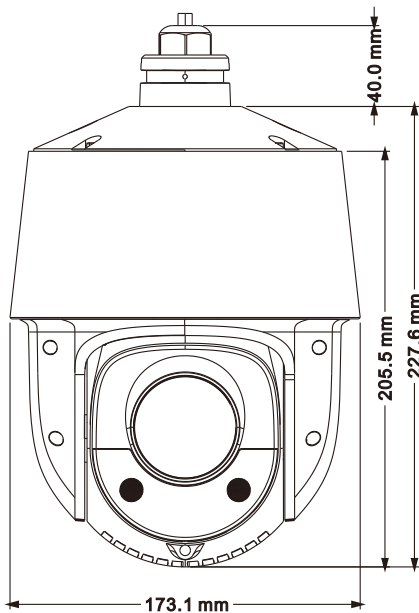
The H.265 video compression reduces bit rate down to 50% of H.264 without loss. With its built-in Advanced Intelligence, the PTZ camera could detect and classify up to 15 objects per scene. When any of them intrude restricted area, the PTZ camera will trace, zoom fit in centre of screen, snap and record and trigger alert. The IR brightness is enhanced 200%, which improves night vision distance above 160m.

The PTZ camera has enhanced body material, built-in turbo fan and heater and is designed for 24/7 work in outdoor weather. This series has also added alarm and audio interface.

Key Features

- BSI+NIR progressive scan CMOS
- Up to 2560x1440 resolution
- Mini illumination:
 - Color: 0.01 lux @ (F1.65 AGC ON)
 - 0 Lux with IR
- 25x optical zoom, Accurate and fast focusing
- WDR, 3D DNR, Smart IR 160m
- Smart H.265+/H.265/H.264+/H.264
- Advanced Intelligence
- Smart tracking of human/vehicle
- Smart detection and perimeter protection
- ONVIF, API and SDK
- PoE+ or DC12V
- IP67, -40°C~60°C, ADC12 & PC/GF

Appearance



Accessories

Mount Bracket

Included



PM-YZJ0808-W
Wall mount bracket

Optional:



PM-YZJ701E-W
In-ceiling mount bracket



PM-YZJ0807-W
Ceiling mount bracket,



PM-YZJ0311-W
Wall mount bracket
with junction box



PM-YZJ0312-W
Pole mount bracket
with junction box



PM-YZJ0313-W
Corner mount bracket
with junction box

Specifications

Camera Module					
Image Sensor	1/2.7" progressive scan CMOS, BSI, NIR+				
Mini. Illumination	Color: 0.01Lux @ (F1.65, AGC ON); B/W: 0.002Lux @(F1.65, AGC ON); 0Lux with IR				
Image setting	Flip, Mirror, Saturation, Brightness, Contrast, Sharpness, AGC, etc. adjusted by client				
Shutter Speed	50Hz:1/25s~1/25,000s; 60Hz:1/30s~1/30,000s				
White Balance	Auto/Manual/Indoor/Outdoor				
Gain Control	Auto/Manual				
Day & Night control	Auto/Manual, time schedule				
Iris Control	Auto/Manual				
SNR	≥52dB				
3D Digital Noise Reduction	Auto/Manual				
AE Enhancement	Back Light Compensation (BLC), High Light Compensation (HLC), Wide Dynamic range (WDR)				
Privacy Mask	4 areas, up to 8 per request				
Picture Overlay	Logo picture could be overlaid on video with 128x128pixels,24bits BMP format				
OSD Overlay	Max 15 characters/line, 8 lines, white or red font color				
Lens					
Focus Length	f=4.8-120mm lens,25x optical zoom				
Zoom Speed	Approx. 3.6s (optical zoom, wide-tele)				
Field of View	Horizontal: 55°~2.4°±5%; Vertical: 33°~1.4°±5%; Diagonal: 61.5°~2.8°±5% (wide-tele)				
Working Distance	Wide:1.0m~INF; tele:1.5m~INF				
Aperture Range	F1.65~F3.8 (wide-tele)				
Iris Type	DC-IRIS, 16 Stops				
IR Cut Type	Removable IRCut filter				
DORI Distance	Focus length	Detect(25px/m)	Observe(63px/m)	Recognize(125px/m)	Identify(250px/m)
	f=4.8mm	96m(315 f.t.)	38m(124.7 f.t.)	19.2m(63 f.t.)	9.6m(31.5 f.t.)
	f=120mm	2200m(7218 f.t.)	873m(2864.3 f.t.)	440m(1443.6 f.t.)	220m(721.8 f.t.)
PTZ					
Pan Range	360°endless				
Pan Speed	Configurable, from 0.1~200°/s; Preset speed: 240°/s				
Tilt Range	From-10° to 90°,auto flip				
Tilt Speed	Configurable, from 0.1~ 200°/s, Preset speed: 240°/s				
Proportional Zoom	Yes				
Preset	360				
Cruise	8 cruises, up to 16 presets for each cruises				
Trace	4 traces, record time over 3 minutes for each trace				

Power off Memory	Support
Action Mode	Preset/Cruise/Trace/Auto Scan/Random Scan
3D Positioning	Support
PTZ Position Display	Support
Schedule Task	Preset/Cruise/Trace/Random Scan/Boundary Scanning /Dome reboot
IR	
IR Distance	160m(525 f.t.), dual stack IR LED Array
Smart IR	Yes
Network	
Max Resolution	2560x1440
Main Stream	50Hz: 25fps: 2560x1440,1920x1080,1280x960,1280x720; 60Hz: 30fps: 2560x1440,1920x1080,1280x960,1280x720
Sub Stream	50Hz: 25fps: (704x576, 640x480, 352x288); 60Hz: 30fps (704x480, 640x480, 352x240)
Third Stream	50Hz:25fps (1920x1080, 1280x960, 1280x720, 704x576, 640x480, 352x288) 60Hz:30fps (1920x1080, 1280x960, 1280x720, 704x480, 640x480, 352x240)
Video Compression	H.265+/H.265/H.264+/H.264/MJPEG
H.264 Standard	H.264/AVC codec BP/MP/HP, Level 5.1
H.265 Standard	H.265/HEVC codec MP, level 5.0
Video Bit Rate	64Kbps to 8Mbps
Audio Compression	G.711 A/U
Audio Bit Rate	64K bps
Protocols	HTTP, HTTPS, IPv4/IPv6, 802.1x, QoS, FTP, SMTP, UPnP, SNMP,DNS, DDNS, NTP, RTSP, RTCP, RTP, TCP/IP, UDP, DHCP, PPPoE
Simultaneous Live View	Up to 6 channels
User / Host	Up to 16 users, 3 levels: Administrator, Advanced User and Normal User
Security Measures	User authentication (ID and PW), Host authentication (MAC address); HTTPS encryption, IEEE802.1x port-based network access control; IP address filtering
Smart Features	
Basic event	Motion detection, Video tampering alarm, Exception(Network disconnected, IP address conflict, SD full, SD error)
Face recognize	Default off, Detecting max 15 faces at same scene. Detecting, tracking, capturing
Road traffic	Vehicle detecting and tracking
Smart Detection	Tripwire, Bi-directional tripwire, Illegal intrusion detection, Region entrance detection, Region exiting detection, etc. More VCA per request
Smart Tracking	Smart tracking of human or vehicle, auto/manual
System Integration	
Alarm Interface	1 Alarm input(Dry contact); 1 Alarm output
Audio Interface	1 audio input(MIC in); 1 audio output, line level, impedance,600Ω
Alarm Linkage	Alarm actions, such as Preset, Cruise, Track, Memory Card Video Record, Trigger Recording, Upload to FTP/Memory Card, Send Email, etc.
Network Interface	1 RJ45 10M/100M Adaptive Ethernet ,Support PoE+
SD Card Slot	One Micro SD slot, up to 256G
Reset Button	Yes
Heater	Yes
Fan	Yes
Water Removal	Remove water-drops by quick spinning, blow hot air to glass to remove frost, ice
Web Browser	IE8 - IE11
General	
Power Supply	DC12V±25%, 3000mA, PoE+ (802.3.at), max 23W include IR ON+PTZ working
Working Condition	-40°C~60°C(-40°F~140°F), Cold start at - 30°C(30minutes waiting); 90%RH
Storage Condition	-40°C~70°C ; ≤ 95% RH
Protection	Weather Protection: IP67 Protection from dust and water, 6000V Lightning Protection Vandal Protection: IK10 protection for Vandal resistance Surge Protection and Voltage Transient Protection
Material	Aluminum Alloy + Plastic/GF15%
Dimensions	Φ 173mm×268mm (Φ6.8 inch × 10.55 inch)
Net Weight	Approx. 2.1 Kg (4.63 lb.)
Certification	EMC: CE/EN55032:2015+A11:2020EN55035:2017+A11:2020 Safety: IEC62368-1:2020+A11:2020 RoHS: 2011/65/EU