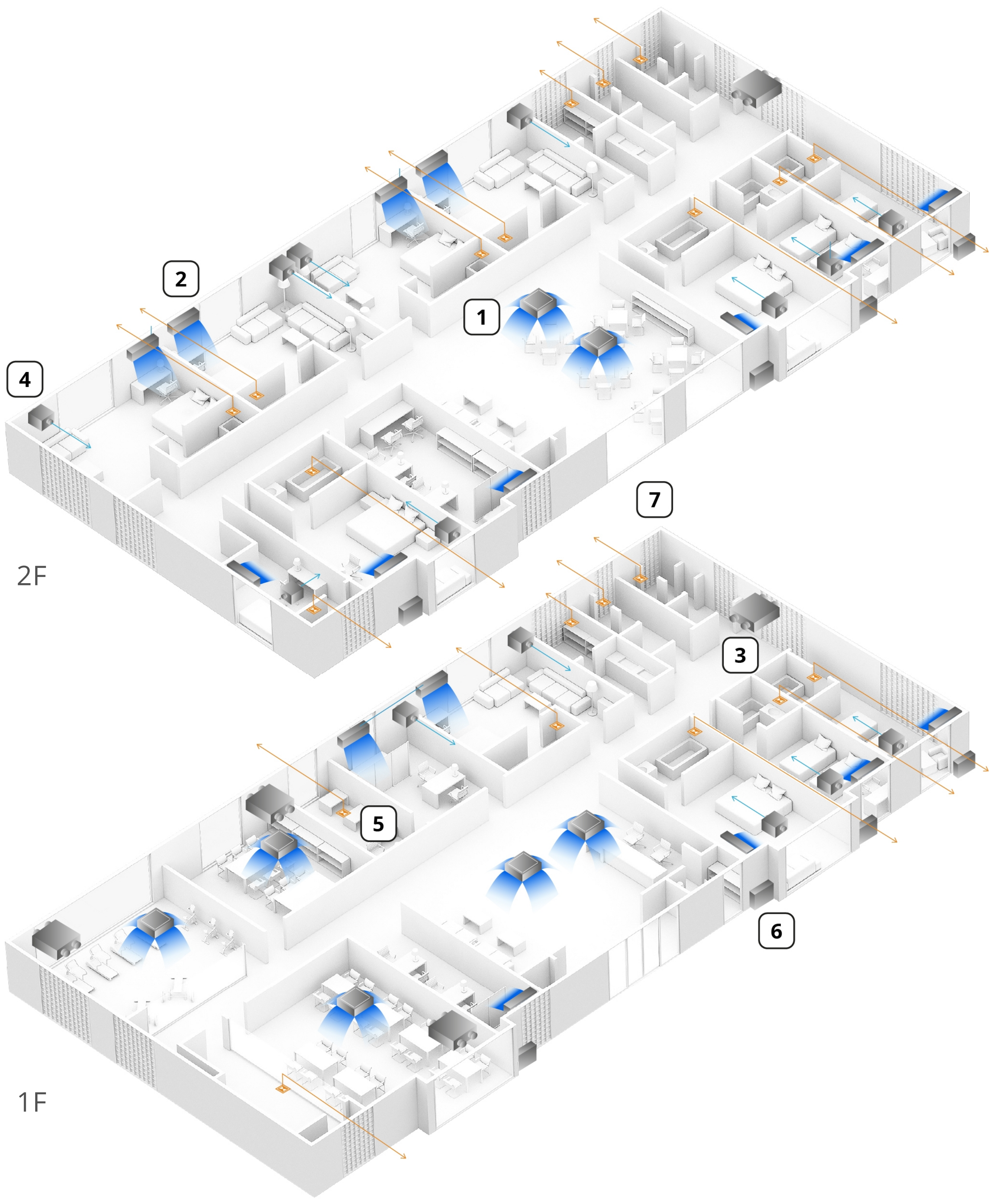


Planning the best installation for your nursing home

Air cleaning plan details (+)

Connectivity plan details (+)

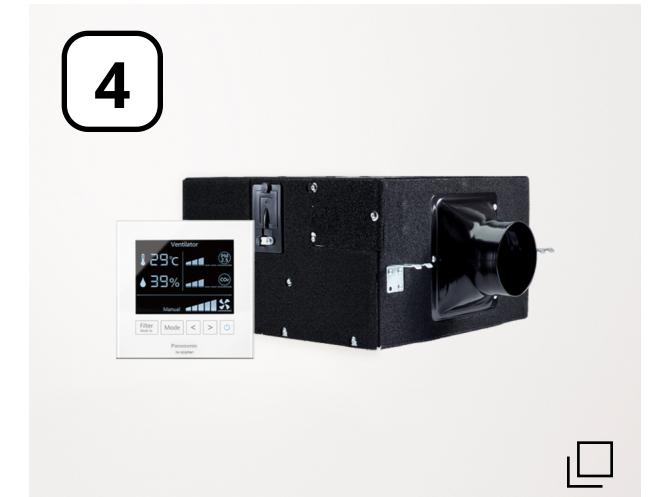


4-way cassette

Wall-mounted

ERV

Supply fan + IAQ controller



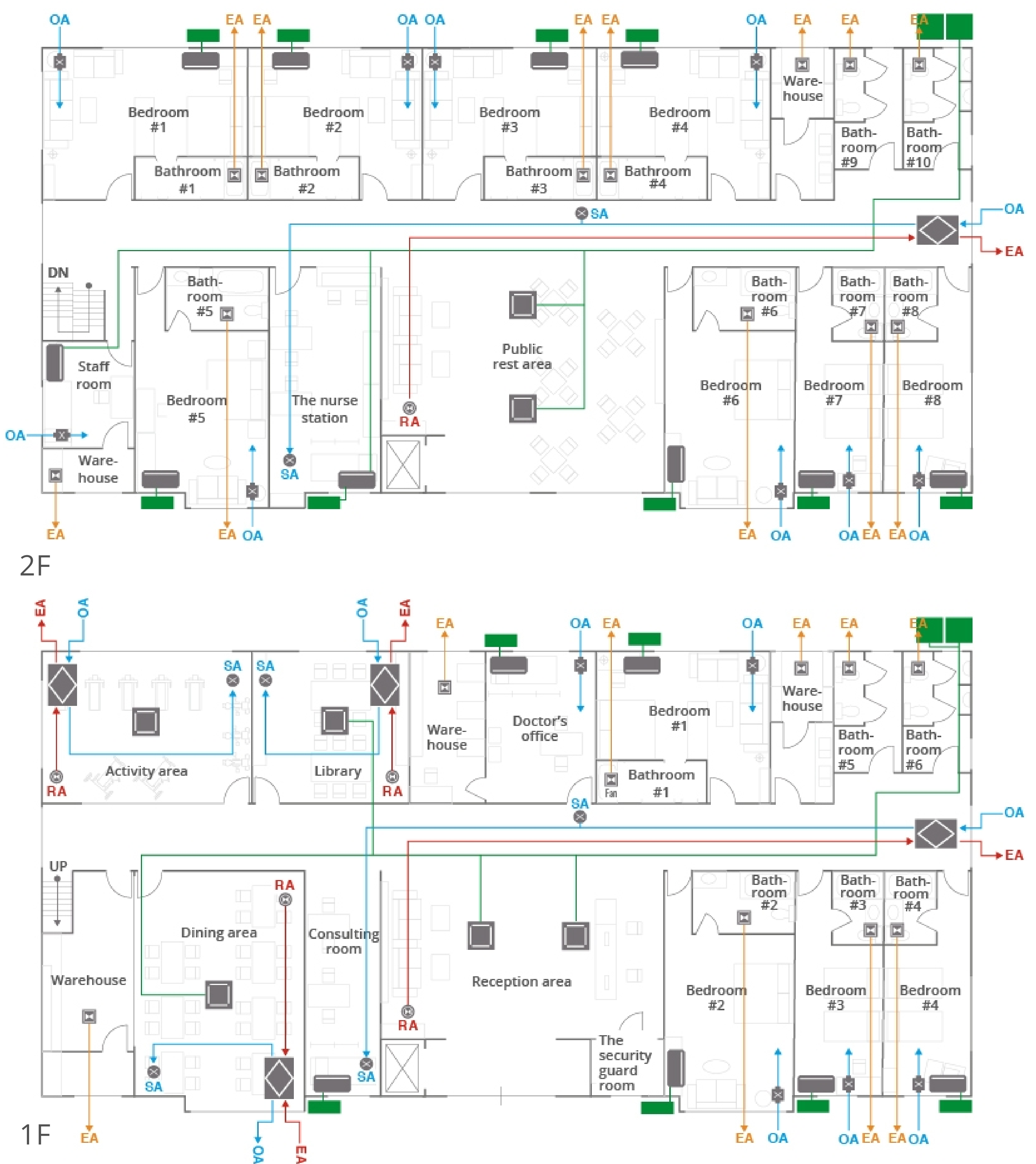
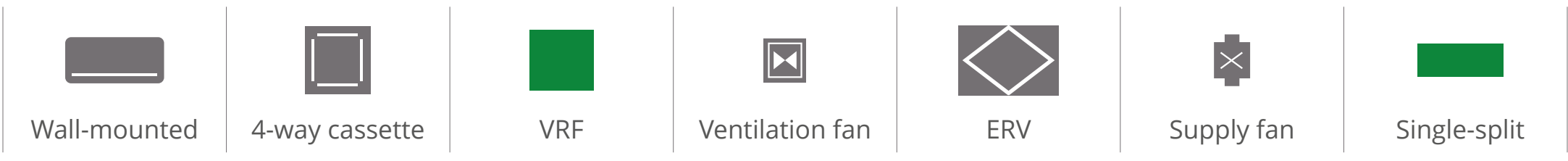
Ventilation fan

Single-split Outdoor Unit

VRF Outdoor Unit



Focused Ventilation and air conditioning



Performance score

- Bacteria and virus inhibition: ★★★★★★
- Connectivity: ★★★★★★
- Ease of installation: ★★★★★★
- CO₂ concentration: ★★★★★★
- Deodorisation: ★★★★★★

Find out how we score the performance of our systems