

# Omnidirectional Back Electret Condenser Microphone Cartridge

## WM-E22C

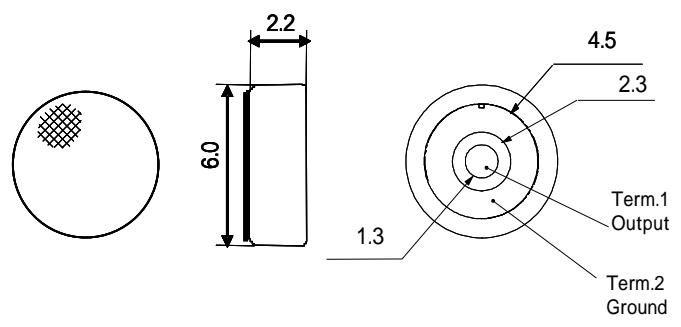
Small and thin omnidirectional microphone  
 Back electret type designed for high resistance to vibrations  
 Non-soldering connection  
 Provides gold plated contact area  
 RFI protected for Multi band  
 ESD protected

### Appearance

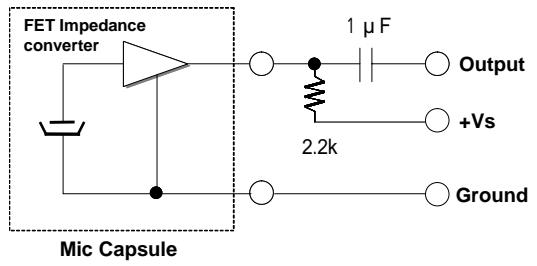


### Dimensional Drawing

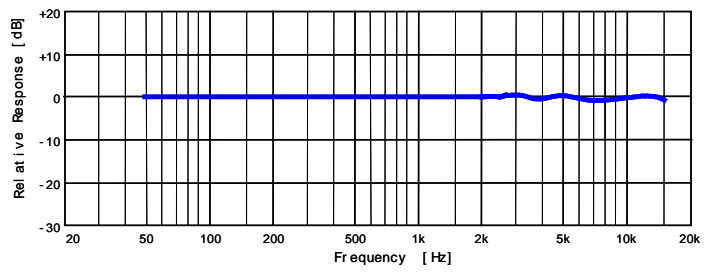
Unit : mm



### Schematic Diagram



### Typical Frequency Response Curve



### Sensitivity

(0dB=1V/Pa, 1kHz)

Sensitivity  
-44+/- -3dB

Model No.  
WM-E22CT

Vs=2.0V  
RL=2.2k

### Specifications

Dimensions	6 x 2.2 mm
Impedance	Less than 2.2k
Directivity	Omnidirectional
Frequency	20 - 16,000Hz
Max operation voltage	10V
Standard operation voltage	2V
Current consumption	Max 0.5mA
Sensitivity reduction	Within -3dB at 1.5V
S/N ratio	More than 58dB

Specifications are subject to change without notice.