

Omnidirectional Electret Condenser Microphone Cartridge

WM-E13U

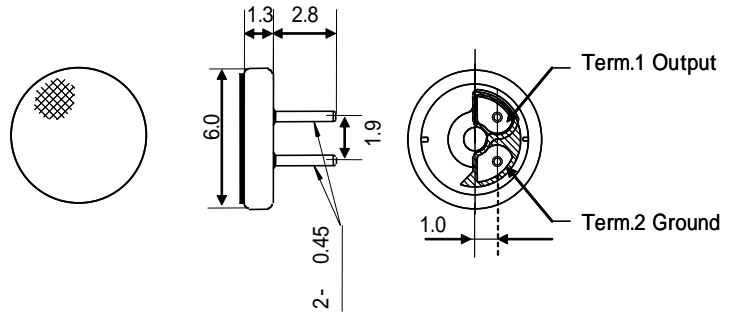
Pin type for connector connection or direct-in to PCB
 Small and thin omnidirectional microphone
 RFI protected for Multi band

Appearance

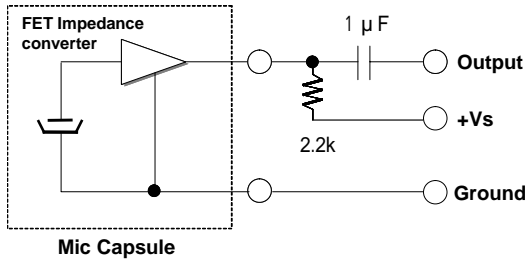


Dimensional Drawing

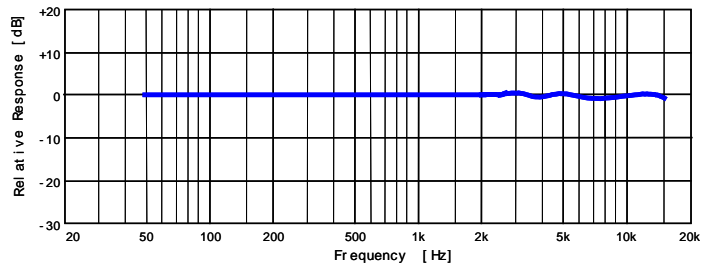
Unit : mm



Schematic Diagram



Typical Frequency Response Curve



Sensitivity

(0dB=1V/Pa, 1kHz)

Sensitivity

-43+/- -4dB
 -44+/- -3dB
 -42+/- -3dB

Model No.

WM-E13U
 WM-E13UT
 WM-E13UY

Vs=2.0V
 RL=2.2k

Specifications

Dimensions	6 x 1.3 mm
Impedance	Less than 2.2k
Directivity	Omnidirectional
Frequency	20-16,000Hz
Max operation voltage	10V
Standard operation voltage	2V
Current consumption	Max 0.5mA
Sensitivity reduction	Within -3dB at 1.5V
S/N ratio	More than 58dB

Specifications are subject to change without notice.