

Ventilating Fan Specifications

Model: FV-10EGS1

■ Specifications

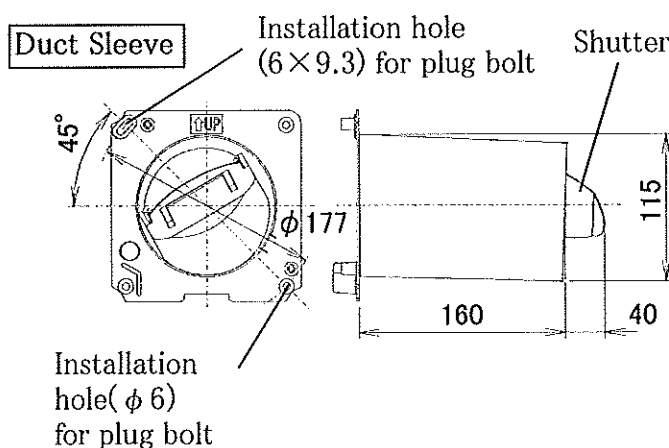
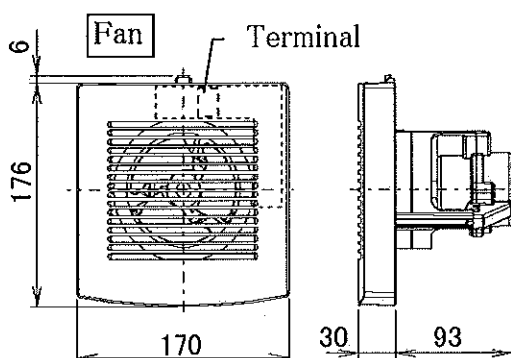
| | | | 220V 50Hz | 230V 50Hz | 240V 50Hz | 220V 60Hz | 230V 60Hz |
|-------------------|-------------------|-------|-----------|-----------|-----------|-----------|-----------|
| | | | Exhaust | Exhaust | Exhaust | Exhaust | Exhaust |
| Air Volume | m ³ /h | ±10% | 75 | 75 | 75 | 80 | 82 |
| Power Consumption | W | ±20% | 5.5 | 5.9 | 6.4 | 4.4 | 4.5 |
| Ampere | A | ±20% | 0.028 | 0.029 | 0.030 | 0.023 | 0.023 |
| Noise | dB (A) | +3/-7 | 35.0 | 35.0 | 35.0 | 36.0 | 36.0 |
| *Rotation Speed | min ⁻¹ | | 2706 | 2720 | 2732 | 2888 | 2971 |

• This specifications are specified with duct sleeve, duct spinner and pipe hood.

*Rotation Speed data are reference only.

1. Power Rating ----- 220-240V~ 50Hz / 220-230V~ 60Hz
2. Motor Type ----- Capacitor start and run induction motor
3. Blade Type ----- 80mm dia. propeller fan
4. Ambient Temperature ----- -10 to 40 deg.C
5. Insulation Resistance ----- More than 10meg ohm
6. Electrical Strength ----- 1500V~ 1 minute
7. Net Weight ----- 0.9 Kg
8. Insulation Class ----- Class E
9. Type of insulation ----- Functional insulation
(Required from SASO 112)

■ Drawing with dimensions (Unit:mm)



■ Supplied Accessories

- Plug bolt : 2 pcs
- Screw : 2 pcs (for plug bolt)
- Screw : 2 pcs (for Fan)
- Operating Instruction : 1 pcs
- Installation Instruction : 1 pcs

- Hole size: ϕ 120~125mm

■ Circuit diagram

