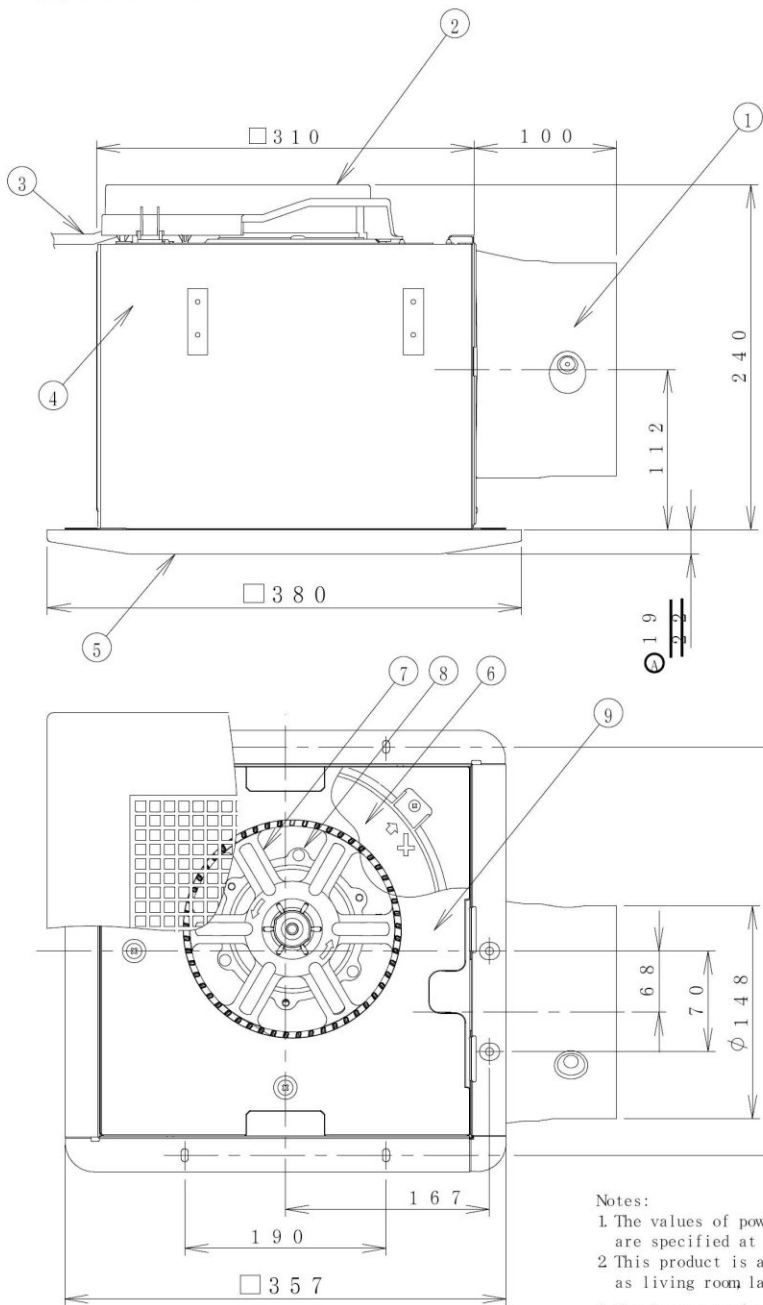


■ DIMENSIONS

Unit:mm



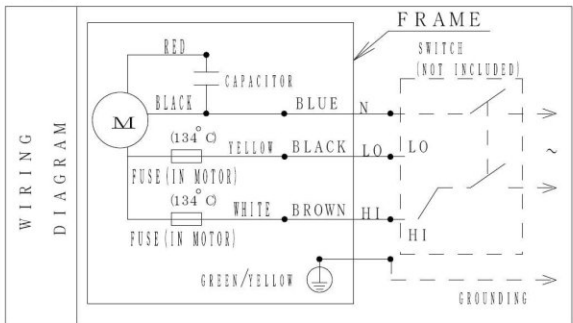
Notes:

- The values of power consumption, air volume, noise and current are specified at the static pressure of 0 Pa.
- This product is applicable to the places with low humidity, such as living room, lavatory, etc.
- The lowest surface of this ventilating fan should be mounted above 2.3m from the floor.
- Malaysia market: This fan should be installed so that the blades are more than 2.5m above the floor.
- The curve of air volume-static pressure are specified at 220V.

■ MAIN PARTS LIST

No.	Part Name	Material
1	Adapter assy.	Galvanized steel
2	Wire cover	PP
3	Power Cord	0.75mm ² X 4
4	Frame	Galvanized steel / black
5	Louver	ABS / white
6	Casing	PP
7	Blade	PP
8	Motor	-
9	Double orifice	PP

■ WIRING DIAGRAM

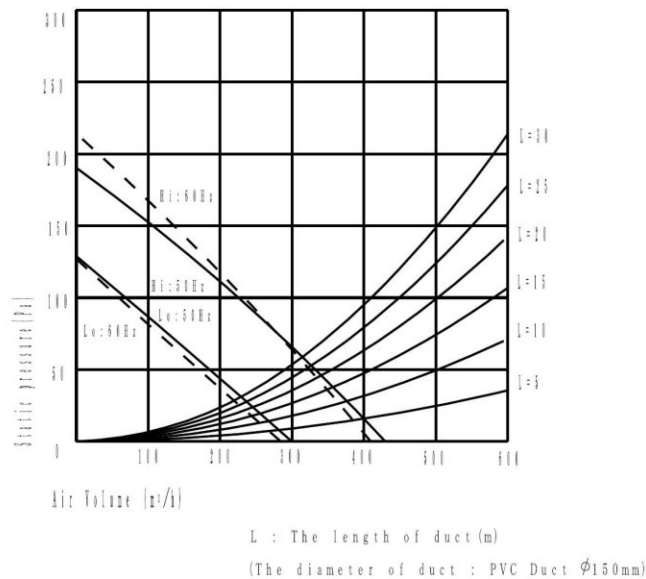


■ SPECIFICATIONS

	FV-32CD9 NAH/NAZ		FV-32CD9 ECH		
	1 Phase 220-240V ~ 50Hz / 240V ~ 60Hz	1 Phase 220V ~ 60Hz	Hi	Lo	
Power Rating			Hi	Lo	
Speed		Hi	Lo		
Air Volume	m ³ /h*10%	430-470/410	300-330/285	430	305
Power Consumption	W*15%	42-50/48	32-38/33	52	32
Current	A*15%	0.21-0.23/0.24	0.17-0.19/0.20	0.25	0.21
Noise	dB (A) ^{±2}	36-38.5/35.5	28-30/27.5	36.5	28.5
Max static Pressure	Pa*10%	180-210	125/125	210	125
Weight	kg	5.2			
Ambient Temperature	-10°C up to 40°C				
Duct model	150 mm dia.				

This product is complied with IEC 60335-1&IEC 60335-2-80

■ AIR VOLUME-STATIC PRESSURE CURVE



ⓐ Modify the FV-32CD9/32CDH ECH Low notch power consumption and dimension

Product		Model	
Ceiling Mount Ventilating Fan		FV-32CD9 NAH/NAZ FV-32CD9 ECH	
Make Date	2008. 6. 7	Drawing No.	CMV32CD9NA
Modification date	2008. 7. 7	Modification No.	CMV32CD9NA A
Panasonic Ecology Systems Guangdong Co., Ltd.			