

Ventilating Fan Specifications

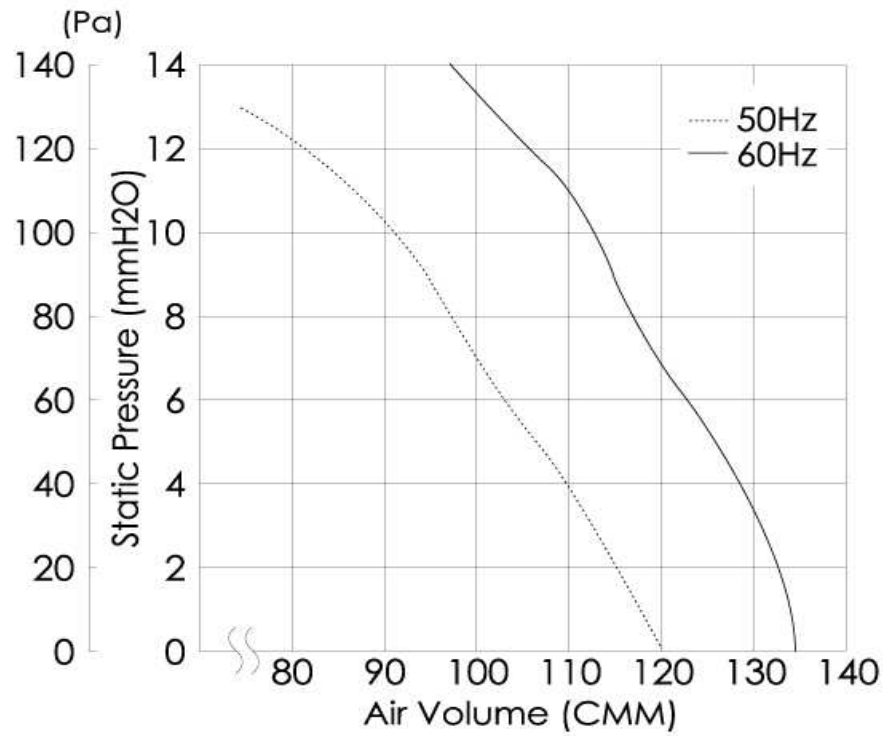
Model FV-50GT4

		200V		220V		380V		400V	415V	440V
		50Hz	60Hz	50Hz	60Hz	50Hz	60Hz	50Hz	50Hz	50Hz
Air Volume	CMH \pm 10%	6,900	7,980	6,960	8,010	6,960	8,010	7,020	7,020	7,050
Power Consumption	W \pm 15%	375	540	350	505	320	475	330	330	340
Current	A \pm 15%	1.50	1.80	1.40	1.60	0.63	0.82	0.65	0.63	0.64
Speed	R/M \pm 10%	1,400	1,600	1,400	1,650	1,400	1,590	1,410	1,410	1,420
Starting Current	A	8.0	7.2	8.5	7.8	3.4	3.3	3.6	3.7	3.8
Noise	dB (A)	54	58	54	59	54	58	54	54	54

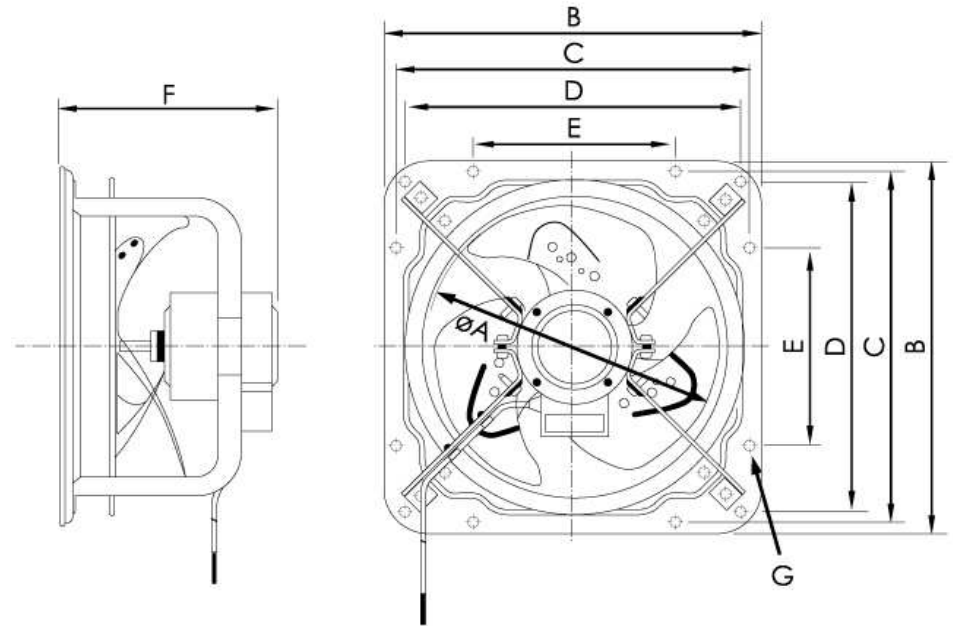
at 0mmAq. Static pressure.

1. Power Rating ----- 3 PASE AC 200-220V 50/60Hz
3 PASE AC 380-440V 50Hz. AC 380V 60Hz
2. Motor Type ----- 3 PASE induction motor. Class E. 4Pole
3. Blade Type ----- Propeller fan
4. Ambient temperature ----- - 10 to 50 deg.C
5. Insulation Resistance ----- More than 1 meg ohm
6. Electric Strength ----- AC 1500V 1 minute
7. Weight ----- 28.5 Kg
8. Color ----- White

Performance Data



Dimension



FV-50GT4	A	B	C	D	E	F	G
	500	659	620	560	355	304	15