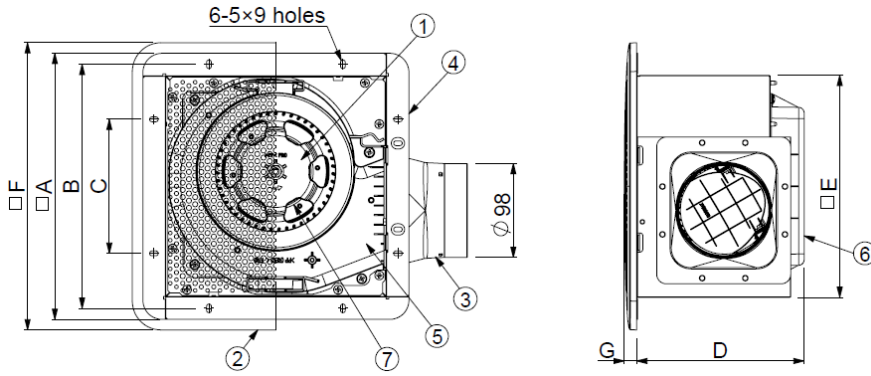


## ■ Main Dimensions



※The dimension have tolerance in actual assembly.

Unit: mm

A	B	C	D	E	F	G	Duct size
278	255	140	175	233	300	13	Φ100

## ■ Main Part List

No.	Part Name	Material
①	Blade	PP
②	Louver	PP
③	Adaptor assembly	Galvanized steel
④	Fan body	ZAM
⑤	Casing	PP
⑥	Wiring cover	PP
⑦	Motor	--

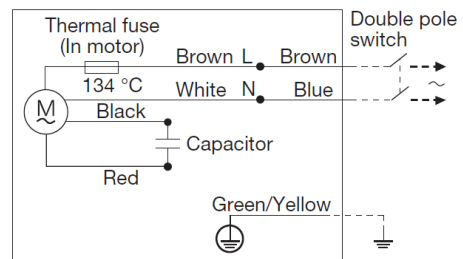
## ■ Specification

Rated Voltage	220V~ 50Hz	230V~ 50Hz	240V~ 50Hz	230V~ 60Hz
Air Volume (m <sup>3</sup> /h ±10%)	170	180	190	180
Power (W ±12%)	13.5	15.0	16.5	19.0
Max Static Pressure (Pa)	100	100	100	140
Noise (dB (A) <sub>±3</sub> <sup>-7</sup> )	28.5	30.0	31.5	31.0
Net Weight (kg)	2.7	2.7	2.7	2.7
Motor Type	Capacitor Motor (Class B)	Capacitor Motor (Class B)	Capacitor Motor (Class B)	Capacitor Motor (Class B)
Insulation Resistance	More than 10MΩ	More than 10MΩ	More than 10MΩ	More than 10MΩ
Electric Strength	Can withstand 1500V 1min	Can withstand 1500V 1min	Can withstand 1500V 1min	Can withstand 1500V 1min
Ambient Temperature	-10°C ~ 50°C	-10°C ~ 50°C	-10°C ~ 50°C	-10°C ~ 50°C
IP Code	IPX2	IPX2	IPX2	IPX2

### Notes:

- The value of power consumption, air volume and noise are specified at the static pressure of 0 Pa.
- The value of air volume is the mean value which is measured by our company.
- The value of noise level is measured at 1m apart from the left, the right and the directly below of product, then get the average of three values.
- The value of noise level is A weight average sound pressure level, the mean value is measured by our company.

## ■ Wiring Diagram

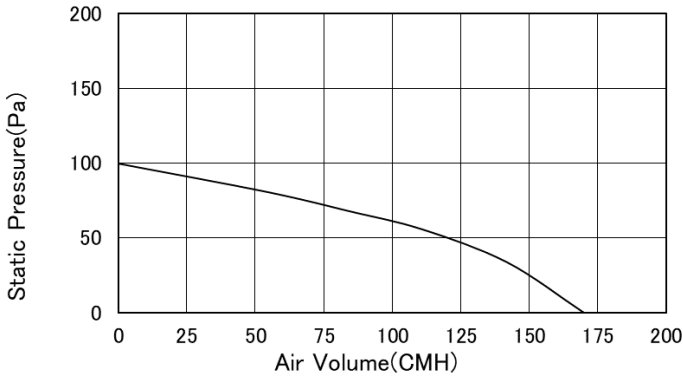


Revision	Content

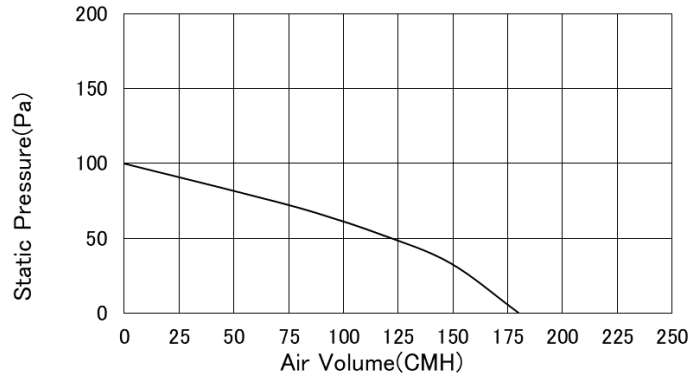
Product			Model	
Ceiling Mount Ventilating Fan			FV-24CD9	
Make Date	2022.10.13	Scale	Drawing No.	24CD9SEA-V01
Modification Date		Free	Modification No.	
Panasonic Electric Works Vietnam Co., Ltd.				

## ■ P-Q Curve

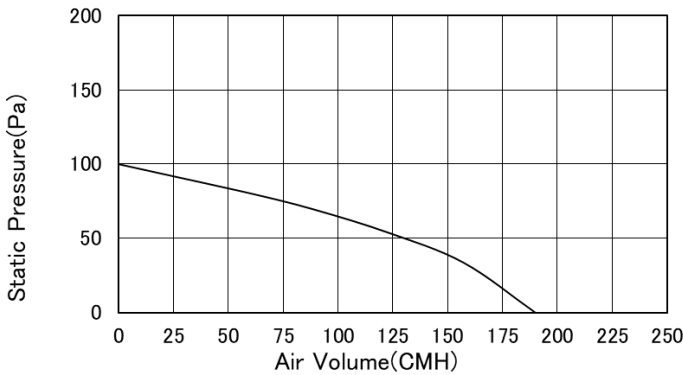
### 220V 50Hz



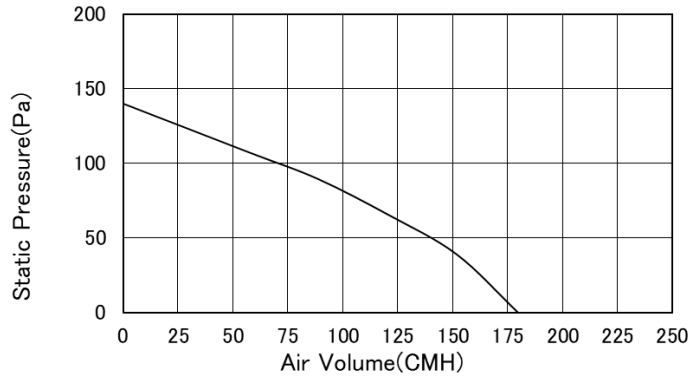
### 230V 50Hz



### 240V 50Hz



### 230V 60Hz



Product			Model	
Ceiling Mount Ventilating Fan			FV-24CD9	
Make Date	2022.10.13	Scale	Drawing No.	24CD9SEA-V01
Modification Date		Free	Modification No.	
Panasonic Electric Works Vietnam Co., Ltd.				