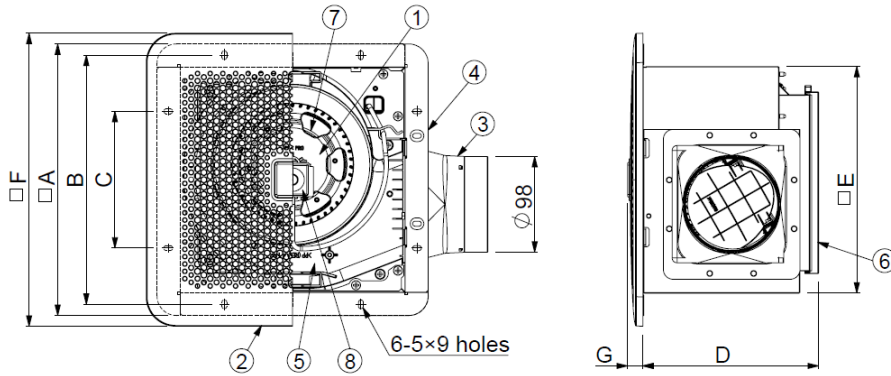


■ Main Dimensions



※The dimension have tolerance in actual assembly.

Unit: mm

A	B	C	D	E	F	G	Duct size
278	255	140	180	233	300	16	Φ100

■ Main Part List

No.	Part Name	Material
①	Blade	PP
②	Louver	PP
③	Adaptor assembly	Galvanized steel
④	Fan body	ZAM
⑤	Casing	PP
⑥	Wiring box	PP
⑦	Motor	--
⑧	Motion sensor location	--

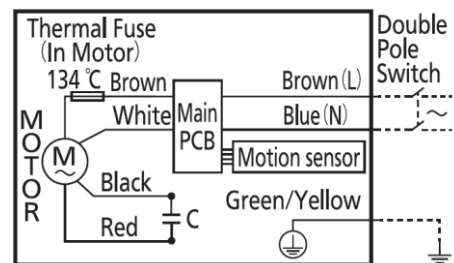
■ Specification

Rated Voltage	220V~ 50Hz
Air Volume (m ³ /h ± 10%)	140
Power (W ± 12%)	11.0
Max Static Pressure (Pa)	100
Noise (dB (A) $\begin{matrix} +3 \\ -7 \end{matrix}$)	25.0
Net Weight (kg)	2.8
Motor Type	Capacitor Motor (Class B)
Insulation Resistance	More than 10MΩ
Electric Strength	Can withstand 1500V 1min
Ambient Temperature	-10° C ~ 50° C
IP Code	IPX2

Notes:

- The value of power consumption, air volume and noise are specified at the static pressure of 0 Pa.
- The value of air volume is the mean value which is measured by our company.
- The value of noise level is measured at 1m apart from the left, the right and the directly below of product, then get the average of three values.
- The value of noise level is A weight average sound pressure level, the mean value is measured by our company.

■ Wiring Diagram

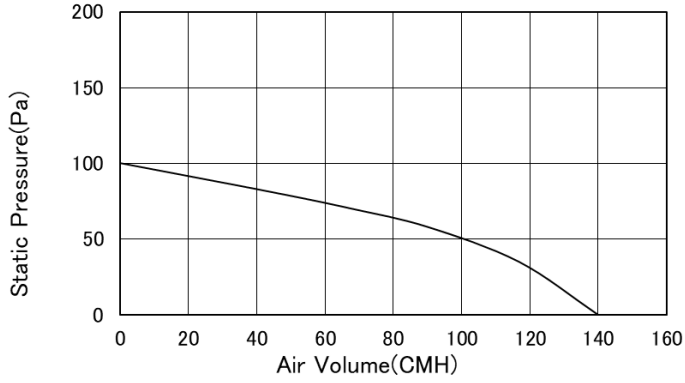


Revision	Content

Product			Model	
Ceiling Mount Ventilating Fan			FV-24CUR2	
Make Date	2022.10.13	Scale	Drawing No.	24CUR2-V01
Modification Date		Free	Modification No.	
Panasonic Electric Works Vietnam Co., Ltd.				

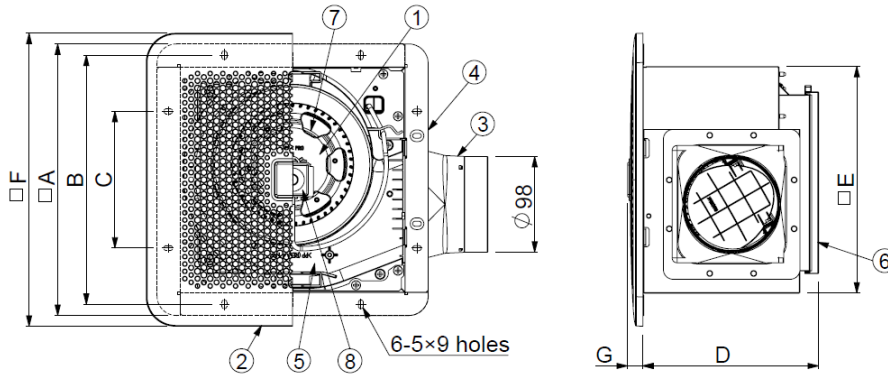
■ P-Q Curve

220V 50Hz



Product			Model	
Ceiling Mount Ventilating Fan			FV-24CUR2	
Make Date	2022.10.13	Scale	Drawing No.	24CUR2-V01
Modification Date		Free	Modification No.	
Panasonic Electric Works Vietnam Co., Ltd.				

■ Main Dimensions



※The dimension have tolerance in actual assembly.

Unit: mm

A	B	C	D	E	F	G	Duct size
278	255	140	180	233	300	16	Φ100

■ Main Part List

No.	Part Name	Material
①	Blade	PP
②	Louver	PP
③	Adaptor assembly	Galvanized steel
④	Fan body	ZAM
⑤	Casing	PP
⑥	Wiring box	PP
⑦	Motor	--
⑧	Motion sensor location	--

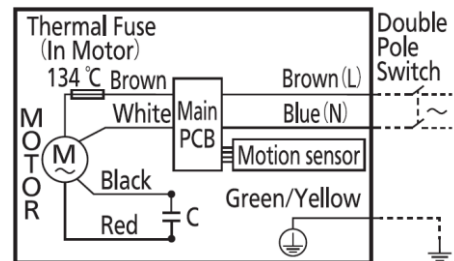
■ Specification

Rated Voltage	220V~ 50Hz
Air Volume (m ³ /h ±10%)	200
Power (W ±12%)	17.0
Max Static Pressure (Pa)	100
Noise (dB (A) ₋₇ ⁺³)	32.0
Net Weight (kg)	2.8
Motor Type	Capacitor Motor (Class B)
Insulation Resistance	More than 10MΩ
Electric Strength	Can withstand 1500V 1min
Ambient Temperature	-10° C ~ 50° C
IP Code	IPX2

Notes:

1. The value of power consumption, air volume and noise are specified at the static pressure of 0 Pa.
2. The value of air volume is the mean value which is measured by our company.
3. The value of noise level is measured at 1m apart from the left, the right and the directly below of product, then get the average of three values.
4. The value of noise level is A weight average sound pressure level, the mean value is measured by our company.

■ Wiring Diagram

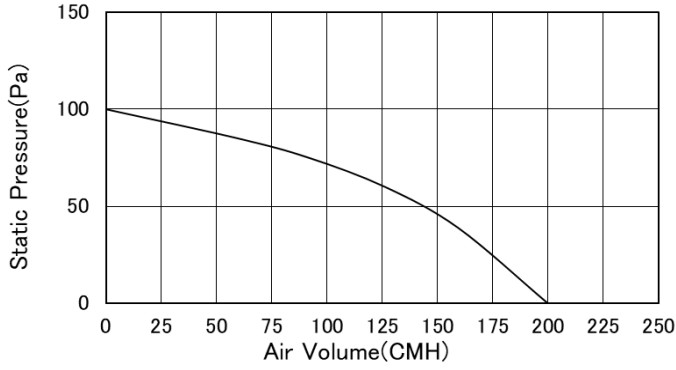


Revision	Content

Product			Model	
Ceiling Mount Ventilating Fan			FV-24CHR2	
Make Date	2022.10.13	Scale	Drawing No.	24CHR2-V01
Modification Date		Free	Modification No.	
Panasonic Electric Works Vietnam Co., Ltd.				

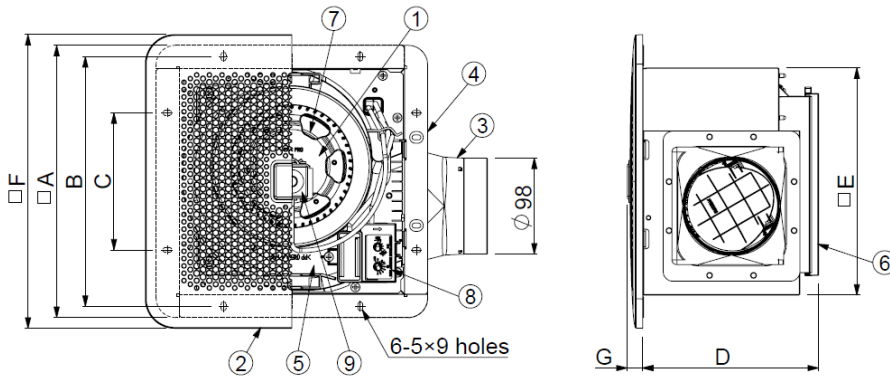
■ P-Q Curve

220V 50Hz



Product			Model	
Ceiling Mount Ventilating Fan			FV-24CHR2	
Make Date	2022.10.13	Scale	Drawing No.	24CHR2 -V01
Modification Date		Free	Modification No.	
Panasonic Electric Works Vietnam Co., Ltd.				

■ Main Dimensions



※The dimension have tolerance in actual assembly.

Unit: mm

A	B	C	D	E	F	G	Duct size
278	255	140	180	233	300	16	Φ100

■ Main Part List

No.	Part Name	Material
①	Blade	PP
②	Louver	PP
③	Adaptor assembly	Galvanized steel
④	Fan body	ZAM
⑤	Casing	PP
⑥	Wiring box	PP
⑦	Motor	--
⑧	Selector and Humidity sensor	--
⑨	Motion sensor location	--

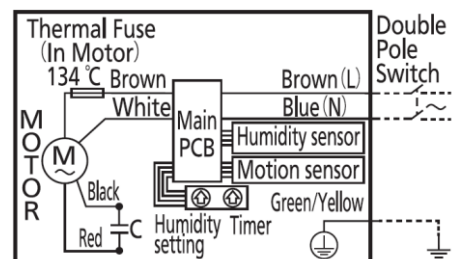
■ Specification

Rated Voltage	220V~ 50Hz
Air Volume (m ³ /h ±10%)	140
Power (W ±12%)	11.0
Max Static Pressure (Pa)	100
Noise (dB (A) $\begin{smallmatrix} +3 \\ -7 \end{smallmatrix}$)	25.0
Net Weight (kg)	2.9
Motor Type	Capacitor Motor (Class B)
Insulation Resistance	More than 10MΩ
Electric Strength	Can withstand 1500V 1min
Ambient Temperature	-10° C ~ 50° C
IP Code	IPX2

Notes:

- 1.The value of power consumption, air volume and noise are specified at the static pressure of 0 Pa.
- 2.The value of air volume is the mean value which is measured by our company.
- 3.The value of noise level is measured at 1m apart from the left, the right and the directly below of product, then get the average of three values.
- 4.The value of noise level is A weight average sound pressure level, the mean value is measured by our company.

■ Wiring Diagram

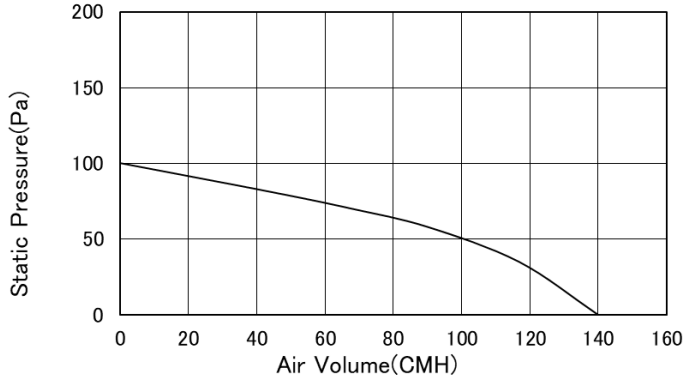


Revision	Content

Product			Model	
Ceiling Mount Ventilating Fan			FV-24CURV2	
Make Date	2022.10.13	Scale	Drawing No.	24CURV2-V01
Modification Date		Free	Modification No.	
Panasonic Electric Works Vietnam Co., Ltd.				

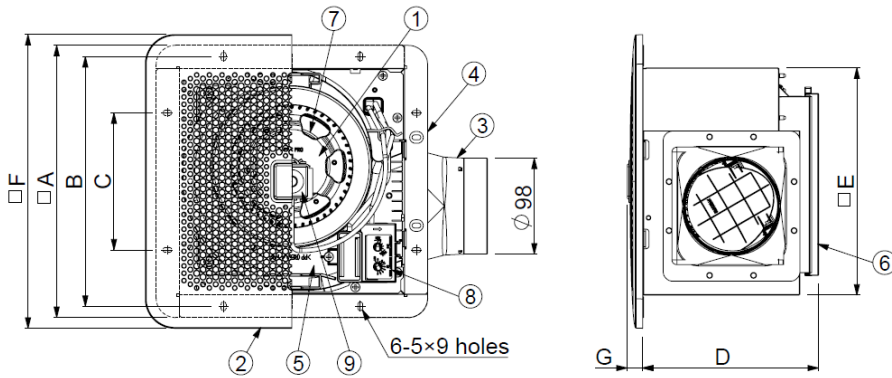
■ P-Q Curve

220V 50Hz



Product			Model	
Ceiling Mount Ventilating Fan			FV-24CURV2	
Make Date	2022.10.13	Scale	Drawing No.	24CURV2-V01
Modification Date		Free	Modification No.	
Panasonic Electric Works Vietnam Co., Ltd.				

■ Main Dimensions



※The dimension have tolerance in actual assembly.

Unit: mm

A	B	C	D	E	F	G	Duct size
278	255	140	180	233	300	16	Φ100

■ Main Part List

No.	Part Name	Material
①	Blade	PP
②	Louver	PP
③	Adaptor assembly	Galvanized steel
④	Fan body	ZAM
⑤	Casing	PP
⑥	Wiring box	PP
⑦	Motor	--
⑧	Selector and Humidity sensor	--
⑨	Motion sensor location	--

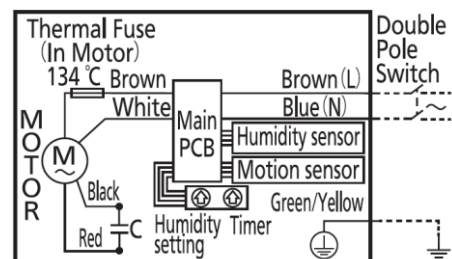
■ Specification

Rated Voltage	220V~ 50Hz
Air Volume (m ³ /h ±10%)	200
Power (W ±12%)	17.0
Max Static Pressure (Pa)	100
Noise (dB (A) $\begin{smallmatrix} +3 \\ -7 \end{smallmatrix}$)	32.0
Net Weight (kg)	2.9
Motor Type	Capacitor Motor (Class B)
Insulation Resistance	More than 10MΩ
Electric Strength	Can withstand 1500V 1min
Ambient Temperature	-10° C ~ 50° C
IP Code	IPX2

Notes:

1. The value of power consumption, air volume and noise are specified at the static pressure of 0 Pa.
2. The value of air volume is the mean value which is measured by our company.
3. The value of noise level is measured at 1m apart from the left, the right and the directly below of product, then get the average of three values.
4. The value of noise level is A weight average sound pressure level, the mean value is measured by our company.

■ Wiring Diagram

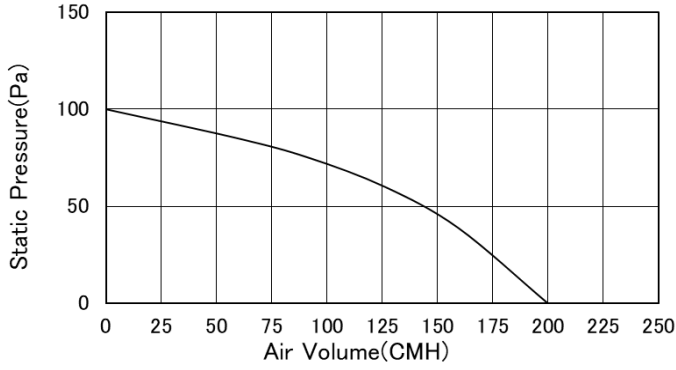


Revision	Content

Product			Model	
Ceiling Mount Ventilating Fan			FV-24CHR2	
Make Date	20.22.10.13	Scale	Drawing No.	24CHR2-V01
Modification Date		Free	Modification No.	
Panasonic Electric Works Vietnam Co., Ltd.				

■ P-Q Curve

220V 50Hz



Product			Model	
Ceiling Mount Ventilating Fan			FV-24CHR2	
Make Date	2022.10.13	Scale	Drawing No.	24CHR2 -V01
Modification Date		Free	Modification No.	
Panasonic Electric Works Vietnam Co., Ltd.				