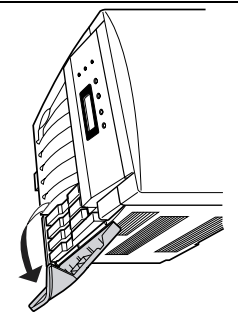
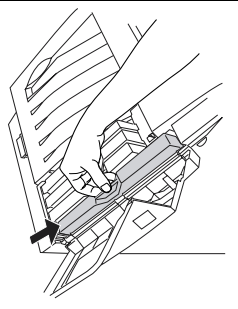
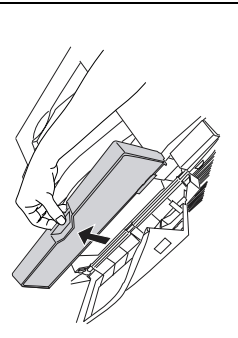
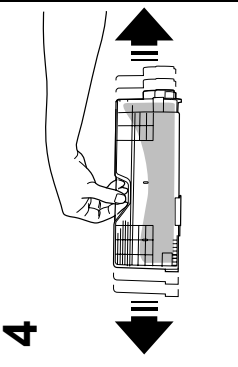
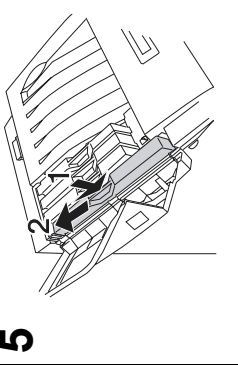
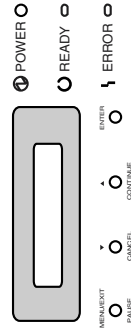


Cyan Toner Cartridge / Magenta Toner Cartridge / Yellow Toner Cartridge / Black Toner Cartridge KX-CLTC1/KX-CLTM1/KX-CLTY1/KX-CLTK1

◆ Replacing a Toner Cartridge

 <p>1</p>	 <p>2</p>	 <p>3</p>	 <p>4</p>	 <p>5</p>
<p>◆ Open the toner door.</p>	<p>◆ Slide the toner cartridge as shown by the arrow. (Ex. Yellow Toner Cartridge)</p>	<p>◆ Remove the used toner cartridge and dispose under conditions which meet all federal, state, and local environmental regulations.</p>	<p>◆ Open the plastic bag and take out the toner cartridge. Shake the toner cartridge several times in the direction shown.</p>	<p>◆ Insert the new toner cartridge (1) and slide as shown by the arrow (2). Close the toner door.</p>

6



◆ When replacing the toner cartridge even if the "Low <Color> Toner" or "TC <Color> Replace" is not displayed, you have to select "New TC-C ?" (KX-CLTC1), "New TC-M ?" (KX-CLTM1), "New TC-Y ?" (KX-CLTY1) or "New TC-K ?" (KX-CLTK1) from the "Reset Counter" in the "Maintenance" menu. (Refer to "Menu Table" in the Basics section of the Operating Instructions.)

Warning (Waste Disposal)

- ◆ Do not incinerate toner or toner containers. Toner dust may cause flashback when exposed to an open flame.