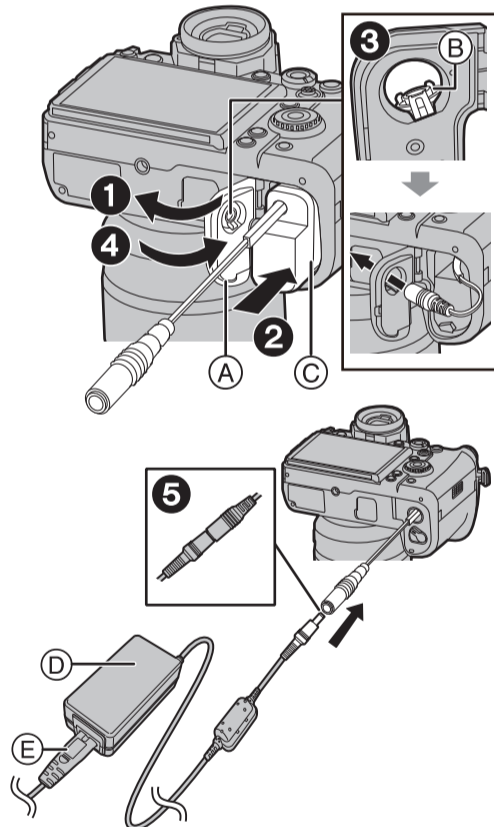


# 取扱説明書 Operating Instructions Manuel d'utilisation Bedienungsanleitung Istruzioni d'uso Instrucciones de funcionamiento

## 使用説明書 Инструкция по эксплуатации Інструкція з експлуатації

### DC カプラー DC COUPLER COUPLEUR C.C. DC-VERBINDUNGSTÜCK DC COUPLER ADAPTADOR DC DC 電源組 DC АДАПТЕР DC АДАПТЕР

品番 /Model No./Modèle/Model Nr./Modello N./  
Modelo N./ 型號 /Модель №./Модель №  
**DMW-DC16**



Manufactured by: Panasonic Corporation  
Kadoma, Osaka, Japan  
Importer for Europe: Panasonic Marketing Europe GmbH  
Panasonic Testing Centre  
Winsbergiring 15,  
22525 Hamburg, Germany

© Panasonic Corporation 2019  
DVQX1723ZA  
F0119YT0

**日本語**

このたびは、パナソニック製品をお買い上げいただき、まことにありがとうございます。  
 ●取扱説明書をよくお読みのうえ、正しく安全にお使いください。  
 ●ご使用前に「安全上のご注意」を必ずお読みください。  
 ●この取扱説明書は大切に保管してください。

DCカプラーは、デジタルカメラと ACアダプターを接続するために使用します。  
 ●デジタルカメラが防じん防滴対応でも、DCカプラー装着時は DC カプラー扉が開くため、防じん防滴対応ではなくなります。  
 ●最新の対応機種に関しては、デジタルカメラの取扱説明書、カタログもしくはホームページなどをご覧ください。

**安全上のご注意 (必ずお守りください)**

人への危害、財産の損害を防止するため、必ずお守りいただくことを説明しています。

■ 誤った使い方をしたときに生じる危害や損害の程度を区分して、説明しています。

	<b>警告</b> 「死亡や重傷を負うおそれがある内容」です。
	<b>注意</b> 「軽傷を負うことや、財産の損害が発生するおそれがある内容」です。

■ お守りいただく内容を次の図記号で説明しています。(次は図記号の例です)

	してはいけない内容です。
	実行しなければならない内容です。

**警告**

**異常・故障時には直ちに使用を中止する**

**異常があったときには、DC カプラーを外す**  
 ●煙が出たり、異常なおいや音が出る  
 ●内部に水や異物が入った  
 ●DC カプラーが破損した  
 そのまま使うと火災・感電の原因になります。  
 ●販売店にご相談ください。

**分解、改造をしない**  
 内部には電圧の高い部分があり、感電の原因になります。

**雷が鳴ったら、触れない**  
 感電の原因になります。  
 ● DC カプラーには、金属部があります。

**内部に金属物を入れたり、水などの液体をかけたりぬらしたりしない**  
 ショートや発熱により、火災・感電・故障の原因になります。  
 ● 機器の近くに水などの液体の入った容器や金属物を置かないでください。  
 ● 特にお子様にはご注意ください。

**■ お問い合わせ先**

**パナソニック 総合お客様サポートサイト**  
<http://www.panasonic.com/jp/support/>

<b>LUMIX (ルミックス) ・ムービー 使い方・お手入れなどのご相談窓口</b>	
フリーダイヤル <b>0120-878-638</b>	バナは ロクサンハチ 受付時間 9:00～18:00 (年中無休)
■上記電話番号がご利用いただけない場合 ■FAX フリーダイヤル <b>06-6907-1187</b> <b>0120-878-236</b>	

**ENGLISH**

**注意**

**次のような場所に放置しない**  
 火災や感電の原因になることがあります。  
 ●異常に温度が高くなること(特に真夏の車内やボンネットの上など)  
 ●油煙や湯気の当たるところ  
 ●湿気やほこりの多いところ

●デジタルカメラと AC アダプターの取扱説明書「安全上のご注意」も併せてお読みください。

■ **使い方**  
**準備：**  
 ●デジタルカメラの電源を切ってください。  
 ●電源コードをACアダプターと電源コンセントにつないでください。

各部の名前：

(A): バッテリー扉	(B): DCカプラー扉
(C): DCカプラー	(D): ACアダプター
(E): 電源コード	

**接続方法：**  
 DC-S1 の例で説明しています。

- 1 バッテリー扉を開ける
- 2 DCカプラーを向きに気をつけて入れる
- 3 DCカプラー扉を開けて、DC カプラーのケーブルを通す
  - 開けにくい場合は、内側からDCカプラー扉を押して開けてください。
- 4 バッテリー扉を確実に閉じる
- 5 ACアダプターをDCカプラーに接続する

■ **使用上のお願い**

- デジタルカメラの取扱説明書も併せてお読みください。
- 使用後は、DCカプラーをACアダプターとデジタルカメラから取り外してください。また、DCカプラー扉を閉じてください。
- 使用中はデジタルカメラが温かくなりますが、異常ではありません。

■ **仕様**

この仕様は、性能向上のため変更することがあります。  
**外形寸法：** 約 幅41.7 mm ×高さ72.35 mm ×奥行21.0 mm  
 (ケーブル線部分を除く)  
**線長：** 約 130.5 mm  
**質量：** 約 40 g

本製品に表示の記号は以下を示しています。

	DC (直流)
--	---------

**ENGLISH**

Please read these instructions carefully before using this product, and save this manual for future use.

This DC Coupler is intended to be used for connecting the AC Adaptor and the digital camera.  
 • Even if the digital camera is dust and splash resistant, when the DC Coupler is being mounted, the DC coupler cover opens, so the structure ceases to be dust and splash resistant.  
 • For the latest information on compatible devices, see the operating instructions, catalogue or website of the digital camera.

■ **How to use**  
**Preparation:**  
 • Turn the camera off.  
 • Connect the AC cable to the AC Adaptor and a wall outlet.

**Name of the Components:**

(A): Battery door	(B): DC coupler cover
(C): DC Coupler	(D): AC Adaptor
(E): AC cable	

**How to connect:**  
 DC-S1 is used as an example for explanation.  
 1 Open the battery door.  
 2 Insert the DC Coupler paying attention to its direction.  
 3 Open the DC coupler cover and then thread the cable of the DC Coupler.
 

- If the DC Coupler cover is hard to open, push open from inside.

 4 Close the battery door firmly.  
 5 Connect the AC Adaptor to the DC Coupler.

■ **Precautions for use**

- Be sure to read the operating instructions of your digital camera.
- After use, remove the DC Coupler from the ACAdaptor and the digital camera. Close the DC coupler cover.
- The camera becomes warm during use. This is not a malfunction.

■ **Specifications**  
 Specifications are subject to change without notice.  
**Dimensions:** Approx. 41.7 mm (W)×72.35 mm (H)×21.0 mm (D)  
 [1.65" (W)×2.85" (H)×0.83" (D)]  
 (Except for cables)  
**Cable length:** Approx. 130.5 mm/5.14"  
**Mass (Weight):** Approx. 40 g/0.09 lb

The symbol on this product represents the following:

	DC
--	----

**-If you see this symbol-**

**Disposal of Old Equipment  
Only for European Union and countries with recycling systems**

This symbol on the products, packaging, and/or accompanying documents means that used electrical and electronic products must not be mixed with general household waste.

For proper treatment, recovery and recycling of old products, please take them to applicable collection points in accordance with your national legislation.

By disposing of them correctly, you will help to save valuable resources and prevent any potential negative effects on human health and the environment.

For more information about collection and recycling, please contact your local authority.

Penalties may be applicable for incorrect disposal of this waste, in accordance with national legislation.

**ONLY FOR U.S.A.**

**Panasonic Products Limited Warranty**

**Limited Warranty Coverage (For USA Only)**  
 If your product does not work properly because of a defect in materials or workmanship, Panasonic Corporation of North America (referred to as "the warrantor") will, for the length of the period indicated on the chart below, which starts with the date of original purchase ("warranty period"), at its option either (a) repair your product with new or refurbished parts, (b) replace it with a new or a refurbished equivalent value product, or (c) refund your purchase price. The decision to repair, replace or refund will be made by the warrantor.

Product or Part Name	Parts	Labor
Digital Camera Peripherals	1 Year	1 Year
Digital Camera Accessories	90 Days	90 Days
Rechargeable Batteries	1 Year	1 Year

During the "Labor" warranty period there will be no charge for labor. During the "Parts" warranty period, there will be no charge for parts. This Limited Warranty excludes both parts and labor for non-rechargeable batteries, antennas, and cosmetic parts (cabinet). This warranty only applies to products purchased and serviced in the United States. This warranty is extended only to the original purchaser of a new product which was not sold "as is".

**Mail-In Service--Online Repair Request**

**Online Repair Request**  
 To submit a new repair request and for quick repair status visit our Web Site at  
<http://shop.panasonic.com/support>.

When shipping the unit, carefully pack, include all supplied accessories listed in the Owner's Manual, and send it prepaid, adequately insured and packed well in a carton box. When shipping Lithium Ion batteries please visit our Web Site at <http://shop.panasonic.com/support> as Panasonic is committed to providing the most up to date information. Include a letter detailing the complaint, a return address and provide a daytime phone number where you can be reached. A valid registered receipt is required under the Limited Warranty.

**IF REPAIR IS NEEDED DURING THE WARRANTY PERIOD, THE PURCHASER WILL BE REQUIRED TO FURNISH A SALES RECEIPT/PROOF OF PURCHASE INDICATING DATE OF PURCHASE, AMOUNT PAID AND PLACE OF PURCHASE. CUSTOMER WILL BE CHARGED FOR THE REPAIR OF ANY UNIT RECEIVED WITHOUT SUCH PROOF OF PURCHASE.**

**Limited Warranty Limits and Exclusions**  
 This warranty ONLY COVERS failures due to defects in materials or workmanship, and DOES NOT COVER normal wear and tear or cosmetic damage. The warranty ALSO DOES NOT COVER damages which occurred in shipment, or failures which are caused by products not supplied by the warrantor, or failures which result from accidents, misuse, abuse, neglect, mishandling, misapplication, alteration, faulty installation, set-up adjustments, misadjustment of consumer controls, improper maintenance, power line surge, lightning damage, modification, introduction of sand, humidity or liquids, commercial use such as hotel, office, restaurant, or other business or rental use of the product, or service by anyone other than a Factory Service Center or other Authorized Servicer, or damage that is attributable to acts of God.

**THERE ARE NO EXPRESS WARRANTIES EXCEPT AS LISTED UNDER "LIMITED WARRANTY COVERAGE". THE WARRANTOR IS NOT LIABLE FOR INCIDENTAL OR CONSEQUENTIAL DAMAGES RESULTING FROM THE USE OF THIS PRODUCT, OR ARISING OUT OF ANY BREACH OF THIS WARRANTY.**  
 (As examples, this excludes damages for lost time, travel to and from the servicer, loss of or damage to media or images, data or other memory or recorded content. The items listed are not exclusive, but for illustration only.)

**ALL EXPRESS AND IMPLIED WARRANTIES, INCLUDING THE WARRANTY OF MERCHANTABILITY, ARE LIMITED TO THE PERIOD OF THE LIMITED WARRANTY.**

Some states do not allow the exclusion or limitation of incidental or consequential damages, or limitations on how long an implied warranty lasts, so the exclusions may not apply to you.

This warranty gives you specific legal rights and you may also have other rights which vary from state to state. If a problem with this product develops during or after the warranty period, you may contact your dealer or Service Center. If the problem is not handled to your satisfaction, then write to:

Consumer Affairs Department  
 Panasonic Corporation of North America  
 661 Independence Pkwy  
 Chesapeake, VA 23320

**PARTS AND SERVICE, WHICH ARE NOT COVERED BY THIS LIMITED WARRANTY, ARE YOUR RESPONSIBILITY.**

**Shop Accessories!**

for all your Panasonic gear

Go to  
<http://shop.panasonic.com/support>

Get everything you need to get the most out of your Panasonic products  
 Accessories & Parts for your Camera, Phone, A/V products, TV, Computers & Networking, Personal Care, Home Appliances, Headphones, Batteries, Backup Chargers & more...

**Customer Services Directory**  
 For Product Information, Operating Assistance, Parts, Owner's Manuals, Dealer and Service info go to <http://shop.panasonic.com/support>

For the hearing or speech impaired TTY: 1-877-833-8855

As of March 2016

**ONLY FOR CANADA**

**Panasonic Canada Inc.**  
 5770 Ambler Drive, Mississauga, Ontario L4W 2T3  
**PANASONIC PRODUCT – LIMITED WARRANTY**

Panasonic Canada Inc. warrants this product to be free from defects in material and workmanship under normal use and for a period as stated below from the date of original purchase agrees to, at its option either (a) repair your product with new or refurbished parts, (b) replace it with a new or a refurbished equivalent value product, or (c) refund your purchase price. The decision to repair, replace or refund will be made by Panasonic Canada Inc.

Digital Camera	One (1) year, parts and labour
Digital Camera Peripherals	One (1) year, parts and labour
Digital Camera Accessories	Ninety (90) days, parts and labour

This warranty is given only to the original purchaser, or the person for whom it was purchased as a gift, of a Panasonic brand product mentioned above sold by an authorized Panasonic dealer in Canada and purchased and used in Canada, which product was not sold "as is", and which product was delivered to you in new condition in the original packaging.

**IN ORDER TO BE ELIGIBLE TO RECEIVE WARRANTY SERVICE HEREUNDER, A PURCHASE RECEIPT OR OTHER PROOF OF DATE OF ORIGINAL PURCHASE, SHOWING AMOUNT PAID, AND PLACE OF PURCHASE IS REQUIRED**

**LIMITATIONS AND EXCLUSIONS**  
 This warranty ONLY COVERS failures due to defects in materials or workmanship, and DOES NOT COVER normal wear and tear or cosmetic damage. The warranty ALSO DOES NOT COVER damages which occurred in shipment, or failures which are caused by products not supplied by Panasonic Canada Inc., or failures which result from accidents, misuse, abuse, neglect, mishandling, misapplication, alteration, faulty installation, set-up adjustments, misadjustment of consumer controls, improper maintenance, improper batteries, power line surge, lightning damage, modification, introduction of sand, humidity or liquids, commercial use such as hotel, office, restaurant, or other business or rental use of the product, or service by anyone other than a Authorized Servicer, or damage that is attributable to acts of God.  
 Dry cell batteries, printer ink cartridge and paper are also excluded from coverage under this warranty.  
 Rechargeable batteries are warranted for ninety (90) days from date of original purchase.

THIS EXPRESS, LIMITED WARRANTY IS IN LIEU OF ALL OTHER WARRANTIES, EXPRESS OR IMPLIED, INCLUDING ANY IMPLIED WARRANTIES OF MERCHANTABILITY AND FITNESS FOR A PARTICULAR PURPOSE. IN NO EVENT WILL PANASONIC CANADA INC. BE LIABLE FOR ANY SPECIAL, INDIRECT OR CONSEQUENTIAL DAMAGES RESULTING FROM THE USE OF THIS PRODUCT OR ARISING OUT OF ANY BREACH OF ANY EXPRESS OR IMPLIED WARRANTY. (As examples, this warranty excludes damages for lost time, travel to and from the Authorized Servicer, loss of or damage to media or images, data or other memory or recorded content. This list of items is not exhaustive, but for illustration only.)  
 In certain instances, some jurisdictions do not allow the exclusion or limitation of incidental or consequential damages, or the exclusion of implied warranties, so the above limitations and exclusions may not be applicable. This warranty gives you specific legal rights and you may have other rights which vary depending on your province or territory.

**WARRANTY SERVICE**  
 For product operation, repairs and information assistance, please visit our Support page:  
[www.panasonic.ca/english/support](http://www.panasonic.ca/english/support)

**FRANÇAIS**

Veillez lire attentivement les présentes instructions avant d'utiliser ce produit, et conserver ce manuel pour utilisation ultérieure.

Ce coupleur c.c. sert à raccorder l'adaptateur secteur à l'appareil photo numérique.  
 • Lors du montage du coupleur c.c., même si l'appareil photo numérique résiste à la poussière et aux éclaboussures, l'ouverture du couvercle du coupleur c.c. annule la résistance à la poussière et aux éclaboussures.  
 • Pour les plus récentes informations sur les dispositifs compatibles, consultez le manuel d'utilisation, catalogue ou site Web de l'appareil photo numérique.

■ **Comment l'utiliser**  
**Préparatifs：**  
 • Mettez l'appareil photo hors marche.  
 • Raccordez le câble c.c. à l'adaptateur secteur et branchez-le dans une prise secteur.

**Noms des composants：**  
 (A): Couvercle du logement de la batterie  
 (B): Couvercle du coupleur c.c.  
 (C): Coupleur c.c.  
 (D): Adaptateur secteur  
 (E): Câble c.a.

**Comment connecter：**  
 Le modèle DC-S1 est utilisé comme exemple pour l'explication.

- 1 Ouvrez le couvercle du logement de la batterie.
- 2 Insérez le coupleur c.c. dans le bon sens.
- 3 Ouvrez le couvercle du coupleur c.c., puis vissez le câble du coupleur c.c.
  - Si le couvercle du coupleur c.c. est difficile à ouvrir, poussez de l'intérieur.
- 4 Fermez bien le couvercle du logement de la batterie.
- 5 Connectez l'adaptateur secteur au coupleur c.c.

■ **Précautions d'utilisation**

- Assurez-vous de lire le manuel d'utilisation de votre appareil photo numérique.
- Après utilisation, retirez le coupleur c.c. de l'adaptateur secteur et de l'appareil photo numérique. Fermez le couvercle du coupleur c.c.
- L'appareil photo chauffe pendant l'utilisation. Cela n'est pas un défaut de fonctionnement.

■ **Spécifications**  
 Les spécifications pourraient être modifiées sans préavis.  
**Dimensions：** 41,7 mm (L)×72,35 mm (H)×21,0 mm (P)  
 (Environ) [1,65 po (L)×2,85 po (H)×0,83 po (P)]  
 (sauf pour les câbles)  
**Longueur câble：** Environ 130,5 mm/5,14 po  
**Massé：** Environ 40 g/0,09 lb

Le symbole présent sur ce produit représente ce qui suit：

	C.C. (Courant continu)
--	------------------------

**-Si ce symbole apparaît-**

**Élimination des équipements usagés**  
**Applicable uniquement dans les pays membres de l'Union européenne et les pays disposant de systèmes de recyclage.**

Apposé sur le produit lui-même, sur son emballage, ou figurant dans la documentation qui l'accompagne, ce pictogramme indique que les appareils électriques et électroniques usagés doivent être séparés des ordures ménagères.

Afin de permettre le traitement, la valorisation et le recyclage adéquats des appareils usagés, veuillez les porter à l'un des points de collecte prévus, conformément à la législation nationale en vigueur.

En les éliminant conformément à la réglementation en vigueur, vous contribuez à éviter le gaspillage de ressources précieuses ainsi qu'à protéger la santé humaine et l'environnement.  
 Pour de plus amples renseignements sur la collecte et le recyclage, veuillez vous renseigner auprès des collectivités locales.  
 Le non-respect de la réglementation relative à l'élimination des déchets est passible d'une peine d'amende.

