



# Panasonic®

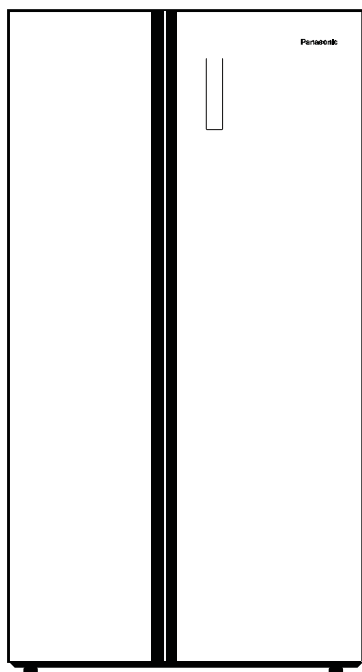
## Operating Instructions

### Refrigerator-Freezer (Household use)

Model No.: NR-BS702GKSA/NR-BS702GKAE/NR-BS702GKAS

Thank you for purchasing the Panasonic product

#### CONTENTS



<b>Introduction</b>	• Caring for the environment .....	2	
	• Safety instructions .....	2	
<b>Installation</b>	• Choosing the right location .....	5	
	• Removing the doors .....	6	
	• Levelling the refrigerator .....	7	
	• Parts and their functions .....	8	
<b>Operation</b>	- Freezer compartment .....	9	
	- Refrigerator compartment .....	10	
	• Specification of product .....	11	
	• Introduction of function .....	12	
	• Refrigerator & Freezer compartment .....	14	
	• How to make ice .....	14	
	• Do and Don'ts .....	15	
	<b>Appendix</b>	• When moving or transporting the refrigerator.....	16
		• Cleaning and maintenance .....	17
		- Cleaning .....	17
- Replacement of lights in freezer and refrigerator .....		18	
- When Shutting off the refrigerator .....		18	
• Troubleshooting .....	19		
• Specifications .....	21		

\* Picture is only for illustration



• **This appliance is intended to be used in household and similar applications such as**

- staff kitchen areas in shops, offices and other working environments;
- farm houses and by clients in hotels, motels and other residential type environments;
- bed and breakfast type environments;
- catering and similar non-retail applications.

- Please read these instructions carefully and follow safety precautions before using this product.
- Please keep product purchase documents like invoice copy with this operating instructions manual for warranty claim purpose.



## Caring for the environment

### Disposing of the packaging



Please recycle where possible (e.g. cardboard, plastic bags, adhesive tape and polystyrene) and make sure you dispose of all other packing materials safely.

Keep the packaging out of the reach of babies and young children, to avoid injury or suffocation.

### Before disposing of your old appliance

Please follow either the disposal instructions from the manufacturer of the old appliance, or local disposal regulations for the appliance. Where this is not available, please follow the three step instructions below.

1. Remove the plug from the socket.
2. Cut the supply cord off, and safely dispose of it with the mains plug still attached.
3. Until the old appliance is collected, or you take it to a Recycling Centre, make sure it's out the reach of small children.
  - Remove all sealing materials from the door and leave all the shelves and drawers in place. This way, children are less likely to climb in and become trapped.

## Safety instructions

Do not	Indicates the appliance must be earthed to prevent electric shock
Make sure you do this	Do not take apart



### Indicates risk of death or serious injury.

This appliance is not intended for use by persons (including children) with reduced physical, sensory or mental capabilities, or lack of experience and knowledge, unless they have been given supervision or instruction concerning use of the appliance by a person responsible for their safety. Children should be supervised to ensure that they do not play with the appliance.



**Do not use mechanical devices or other means to accelerate the defrosting process, other than those recommended by the manufacturer.**

- This can cause damage to the interior of the refrigerator or cause an explosion.

**Do not use electrical appliances inside the food storage compartments of the appliance, unless they are of the type recommended by the manufacturer.**



**Make sure the supply cord and plug are not squashed or damaged.**

- A damaged power plug or cord can cause short-circuit, fire or electric shock.
- If the supply cord is damaged, it must be replaced by the manufacturer, its service agent or similarly qualified persons in order to avoid a hazard.
- **DO NOT ATTEMPT TO REPLACE IT YOURSELF.**



**The refrigerant (R600a) used in the refrigerator and the gases in the insulation material (cyclopentane) are both flammable. They also require special disposal procedures.**

- Before you dispose of the appliance, make sure none of the pipes on the back are damaged. Refrigerant or gas leaks can cause fire or explosion.
- Do not damage the refrigerant circuit.



**Do not use a multiple socket adaptor and plug several appliances into the same socket adaptor.**

- This can cause overheating, fire or short circuit.

**Do not pinch, knot, or bend the supply cord, or place heavy objects on it.**

- This increases the risk of fire or electric shock. If the supply cord or plug of the appliance is damaged, it must be replaced by the manufacturer, its service agent or similarly qualified person in order to avoid a hazard.

**Do not unplug the refrigerator by pulling on the supply cord.**

- This can damage to the supply cord. Always grip the plug and pull firmly from the socket.

**Do not place any water container on the top of the refrigerator.**

- Water can damage insulation of electrical components and cause short circuit, fire or electric shock.

**Do not spray inflammable gas near the refrigerator.**

- This can cause explosion or fire.

**Do not spray water onto or into the refrigerator.**

- This can cause fire or electric shock.

**Do not touch the power plug with wet hands.**

- This can cause electric shock.

**Do not install the refrigerator in a damp place, or where it may come into contact with water.**

- Deteriorated insulation of electrical parts can cause short circuit, electric shock or fire.

**Do not store volatile or flammable substances in the refrigerator.**

- Flammable substances such as benzene, thinners, alcohol, ether and Liquid Petroleum Gas (LPG) can cause explosions.

**Do not store pharmaceuticals or other temperature-sensitive products in the refrigerator.**

- You should not store products that require strict temperature controls in the refrigerator.

**Do not let children climb, swing or hang on the refrigerator door.**

- This can cause serious injury, as well as damaging the refrigerator.

**Do not operate the refrigerator in the presence of explosive fumes or flammable gas.**

- This can cause explosion or fire.

**Do not store petrol or other flammable liquids and vapours in the refrigerator, or use them near the appliance.**

- This can cause explosion or fire.



**Do not try to disassemble, repair or modify the refrigerator yourself.**

- You may injure yourself – or others – with burns or electric shock, or damage the refrigerator. If your appliance needs alterations or repair, please consult authorized service centre.



**Ensure that the refrigerator is plugged into an earthed mains socket. DO NOT plug into an unearthed mains socket.**



**Remove any dirt or dust from the plug's pins before connecting to the power supply.**

- Dust build-up on the plug can cause insulation failure, especially in humid conditions. This can cause short circuit, fire or electric shock. Unplug the supply cord and wipe it with a dry cloth. Never use a wet or damp cloth.

**Plug your appliance into the socket, making sure the connection is secure.**

- A loosely connected power plug can cause fire or electric shock.





**Unplug the refrigerator before cleaning and servicing.**

- Failure to do this can cause electric shock.

**If you smell burning or see smoke coming from the refrigerator, disconnect the power immediately and please consult authorized service centre.**

**LED RADIATION  
DO NOT VIEW DIRECTLY WITH OPTICAL INSTRUMENTS  
CLASS 1M LED PRODUCT**



CAUTION

**Indicates risk of injury or damage to property.**



**Do not put glass bottles or containers in the freezer.**

- When the contents freeze, the glass may break.

**Do not touch the inside walls of the freezer or items stored in the freezer with wet hands.**

- Your skin can become frozen onto the interior wall, or items stored in the freezer.



**If there's a power cut, avoid opening the refrigerator frequently or putting unchilled food in it.**

- This can cause the temperature in the refrigerator to rise and spoil food stored inside and can cause problem to health.

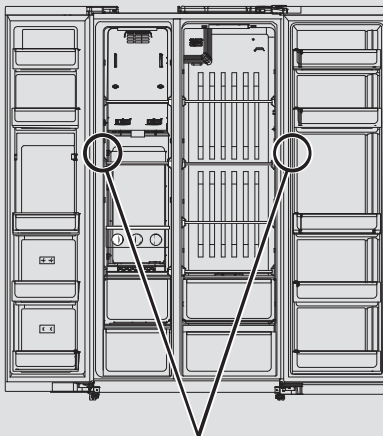
**If you're not going to use the refrigerator for a long time, unplug it from the mains.**

**Also, be careful of the gap between the fridge and freezer doors, especially if they are both open at the same time.**

- This may cause personal injury.

**When opening the refrigerator, be careful not to pinch your fingers at the "pinch point" Areas (Gasket side).**

- This can cause personal injury and can cause problem to health.



Potential pinch point (Gasket side)

Picture is only for illustration



## Choosing the right location

Install the refrigerator in a location which satisfies the following criteria:

- Where the refrigerator will not be exposed to direct sunlight
- Where the refrigerator will be at a distance from heating appliances, cooking appliances and other sources of heat
- A location which is well-ventilated and dry
- Where the floor is sturdy and level

Place a solid board underneath if the refrigerator is to be installed on top of a carpet or vinyl floor. The board will protect the floor from becoming deformed and discoloured.

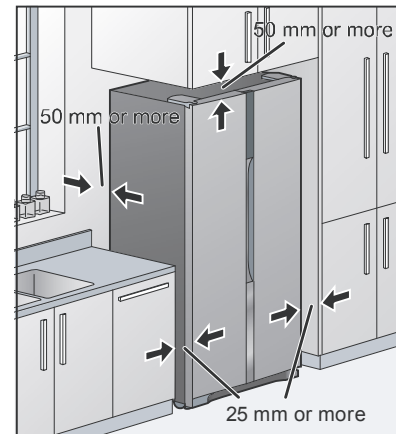
### Provide clearance to allow heat to dissipate

Residual heat is always being emitted from the refrigerator while it is operating.

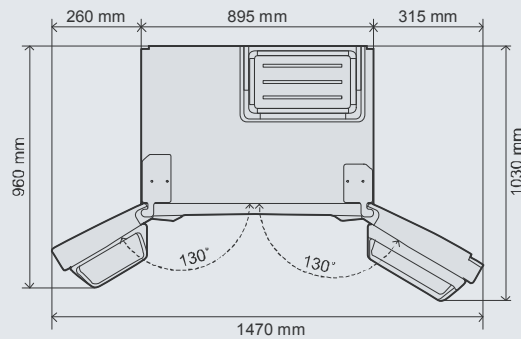
Provide sufficient clearance around the refrigerator to allow this heat to dissipate so that its cooling ability is not impaired.

**Dimensions (mm):** W 890 x D 600 x H 1765 (Without Door)

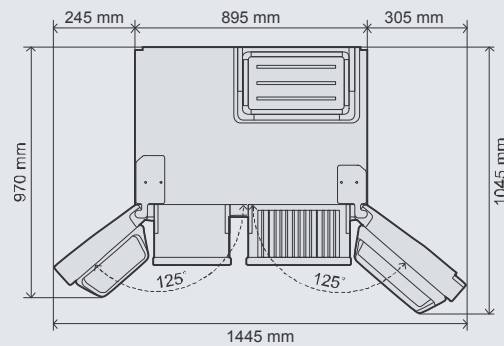
**Dimensions (mm):** W 895 x D 690 x H 1788 (With Door)



### When the doors are completely open



### When the inside drawers have been taken out



**NOTE:** All dimensions in mm (if not specified)



## Removing the doors

---

If the refrigerator will not pass through a doorway or entrance, its doors can be removed.



**CAUTION**

Before removing the doors, be absolutely sure to check that the power of the refrigerator has been turned off.

When you want to remove the doors, please contact your dealer, an authorized service centre or access to our Web site (<http://panasonic.net>).

**Note :** Panasonic or its Authorized agent cannot be held responsible if you remove the doors by yourself.





## Levelling the refrigerator

Turn the adjustable legs so that the refrigerator is installed flush with the floor.

If the left and right doors are not flush with each other, turn one of the adjustable legs, and bring the doors into alignment.

1. Move the refrigerator into its final location. If necessary, open both doors to 90°.
2. The two leveling feet are located on the brackets on each side of the product.

**NOTE:** Having someone push against the top of the refrigerator takes some weight off the leveling feet. This makes it easier to make adjustments.

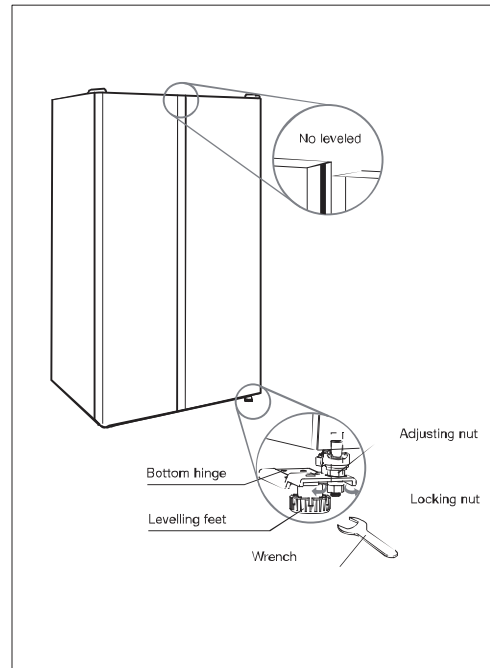
3. Turn the leveling foot to the left to raise that side of the product, or turn it to the right to lower that side of the product.

**NOTE:** Both leveling feet should be snug against the floor, and the rollers should not touch the floor. This keeps the refrigerator from rolling forward when opening the doors.

4. Open both doors again and check that they close as easily as you like. If not, tilt the refrigerator slightly more to the rear by turning the leveling feet to the left. It may take several more turns, and you should turn both leveling feet the same amount.

5. Use a bubble level to check the leveling of the refrigerator.

**NOTE:** Whenever you need to move the refrigerator, turn the leveling feet to the right until they are no longer touching the ground. This will allow the refrigerator to roll more easily.



## Preparing before using

- Remove all the packing materials and tapes.
- Wipe the inside of the refrigerator using a soft cloth which has been dipped in lukewarm water and then wrung out.
- Wash and completely dry the ice box before installing it. (Do not use a dish dryer, hair dryer or other appliance when drying.)
- Connecting the power plug to the power outlet

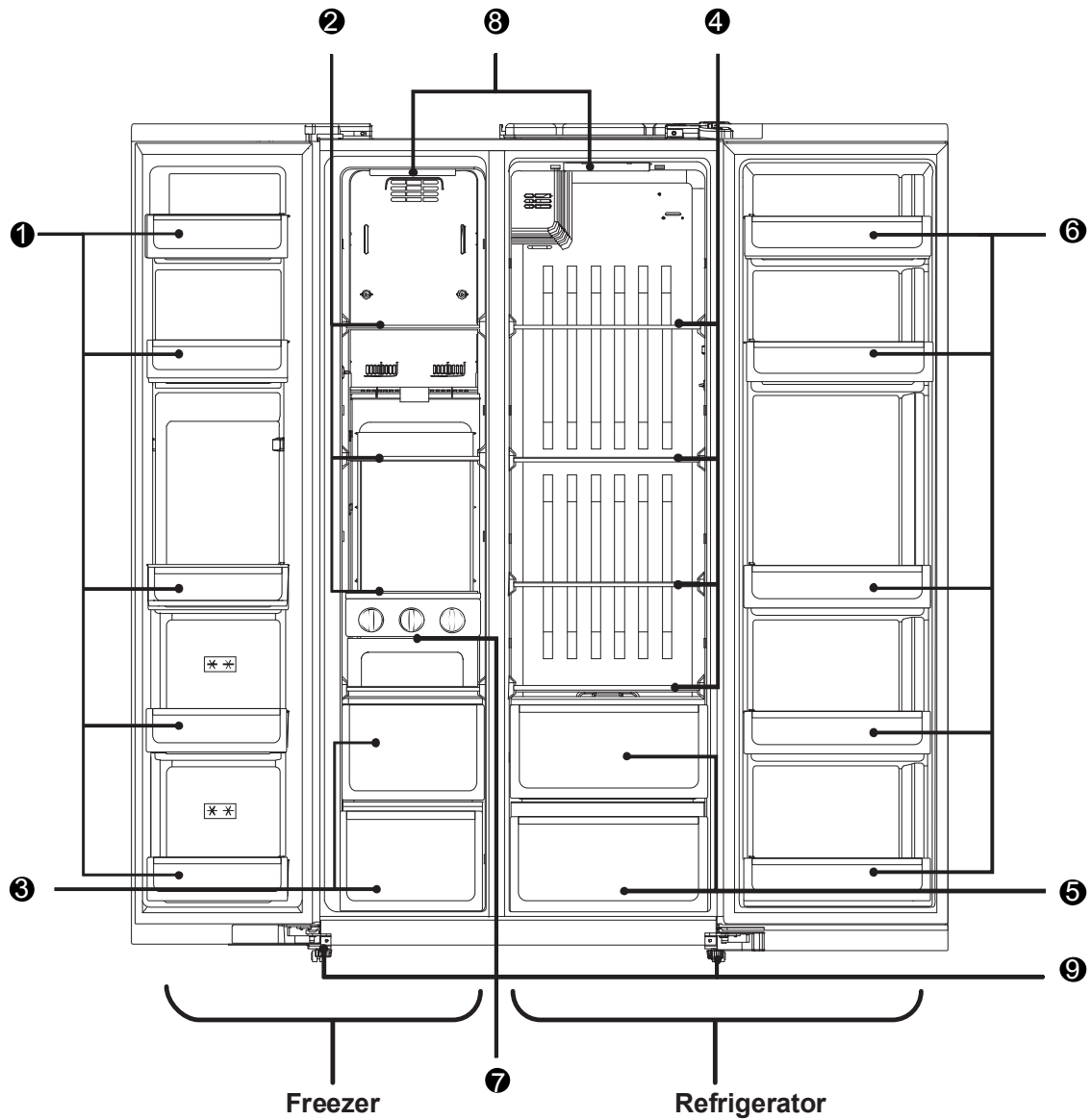
### Notes:

- Cooling may take longer in the summer months or at other times when the room temperature is higher.
- The temperature display flashes to warn that the temperature has risen
- If you need to unplug the refrigerator, wait at least 10 minutes before you plug it back in again. You might damage the compressor.



## Parts and their functions

### Interior and foods stored



1. Freezer door rack
2. Adjustable Shelves
3. Freezer compartment drawer
4. Refrigerator compartment glass shelf
5. Vegetable crisper

6. Refrigerator door rack
7. Ice Tray
8. LED Lamp
9. Adjustable Leg



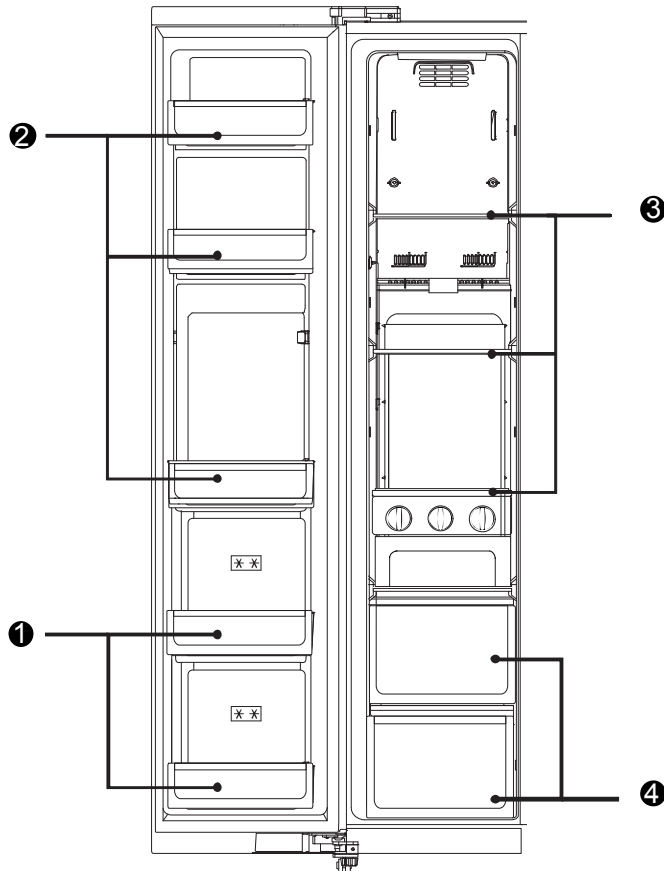


## Freezer compartment

Freezer compartment is for food storage for a long time

The temperature of freezer compartment is very low, so it can keep food fresh state for a long time. You'd better put the food which need long period of time to save in this space. But, you should comply with the storage time marked on food packaging.

Recommendations of storage area for all kinds of food



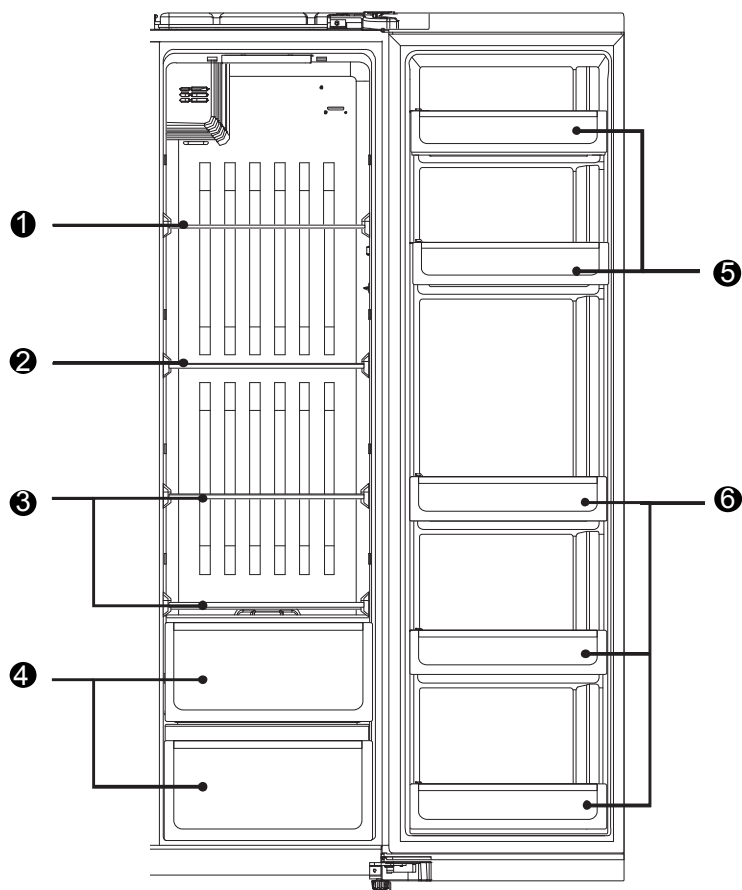
1. The storage grilles on the door of the freezer room are used for short-term storage of food and ice cream.
2. The storage grilles in the freezer room are used for the storage of frozen food.
3. The glass shelves are used for the storage of frozen foods, such as fish, meat and ice cream.
4. Freezer drawer is used for the storage of fish, meat and poultry with the food packaging.



## Refrigerator compartment

### Recommendations of storage area for all kinds of food

As the cycle of air-conditioning in the refrigerator, it makes the temperature of all area differences. So different kinds of food should be placed on different temperature region.



1. Store pasta, canned ,milk, etc
2. Store fast food, easy-string together gustatorius food, dairy products, etc
3. Store cooked meat and sausage, etc
4. Store fruits and vegetables, etc
5. Store easy-open tin can,canned,spices,etc
6. Store all kinds of bottled drinks and food



## Specification of product

- **Invariable keeping fresh technology**

- Separate windy system in refrigerator compartment, separate temperature control, stable storage temperature, long time fresh.

- **Defrost pre-cold**

- Technology of defrost pre-cold with purpose of keeping temperature stable in refrigerator, suitable for keep food fresh.

- **Aptitude defrosting**

- Defrosting depends on using frequency with purpose of energy saving.

- **Gliding shelves, convenient using**

- Freezer and refrigerator's rack designed as gliding and stretching, it's convenient to stored.

- **Human aptitude**

- Freezing effect is adjusted according to storage temperature and inside temperature by computer

- **Nice dimension**

- Ultra-thin size; Ultra great volume; Refrigerator compartment uses the upscale armored glass rack.

- **CFC and no-frost design. Fast freezing**

- These refrigerators use the hydrocarbon-based R600a (isobutane) as their refrigerant and cyclopentane (foaming material) as their insulation. Non-chlorofluorocarbon/hydrochlorofluorocarbon refrigerants (R600a=isobutane) and non-chlorofluorocarbon/hydrochlorofluorocarbon foaming materials (cyclopentane) do not contain chlorine which depletes the ozone layer but are environmentally-friendly materials with a minimal impact on the earth in terms of global warming (\*1).

- **Automatic alarm of problem**

- If any malfunction appear, product has programmed to give automatic alert by a alarm. Please contact Panasonic authorized Service Executive.

Fault code	Corresponding circuit
E1	Temperature detection circuit of cooler
E2	Temperature detection circuit of freezer
E5	Freezer defrosting temperature detection circuit
E6	Communication fault
E7	Ambient temperature detection circuit

- **Reliable compressor with good quality**

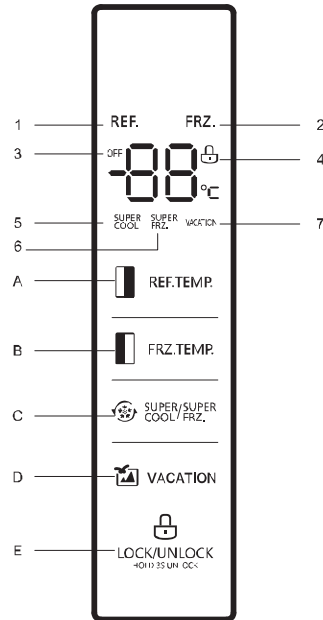
- Product was equipped with hermetic sealed high speed compressor.

- **Opening door alarm**

- When PC door or FC door is kept open more than 2 minutes and above, unit will give beep sound.



## Introduction of function



### 1.Button operation

- A. Refrigerator compartment temperature adjustment
- B. Freezer compartment temperature adjustment
- C. Super cool/Super FRZ.
- D. Vacation mode
- E. Lock/Unlock

### 2.Display

- 1. Refrigerator compartment
- 2. Freezer compartment
- 3. Close Refrigerator compartment
- 4. Lock icon
- 5. Super cool mode
- 6. Super FRZ. mode
- 7. Vacation mode

### 3.Lock/Unlock

At non-lock state, Press E key for 3 seconds, the refrigerator will go into the state of Locked and the 4 icon shows . Press E key for 3 seconds persistently at the Locked state, the 4 icon shows and the Locked state releases.

**The following functions must be in operation under the unlocked state**  
**Press mode button (button C), you can choose running mode as the following.**

Super cool → Super FRZ. → Super cool and FRZ. → None

The following settings must be valid upon locking.



### 4. Vacation mode

Press B key to select Vacation mode, the 1 icon shows, then press D key to confirm, the refrigerator will be running according to Vacation mode.

### 5. Rapid cooling mode

Press B key to select Rapid cooling mode, the 3 icon shows, then press D key to confirm, the refrigerator will be running according to Rapid cooling mode.

### 6. Quick-freeze mode

Press B key to choose Quick-freeze mode, the 2 icon shows, then press D key to confirm, the refrigerator will be running according to Quick-freeze mode.

### 7. Refrigerator compartment temperature settings






Press C key once, the Refrigerator compartment temperature displays with flashing, press C key again and you can set the temperature, the range of temperature is from 2°C to 8°C.

### 8. Freezer room temperature settings

Press A key once, the Refrigerator room temperature displays with flashing, press D key again and you can set the temperature, the range of temperature is from -12°C to -22 °C.

**Note:** when the set temperature of freezer changes, if set relevant function mode (e.g. quick-cold mode, quick-freezer mode, quick-cold and freezer mode, vacation mode), the relevant function mode should be quitted or canceled at once.

## Food storage tips

<b>Freezer</b>	Frozen foods, meats, fish, ice cream, etc.	
	Butter, dairy products, eggs, drinks, seasonings, cooked foods, etc.	
<b>Fridge</b>	Meats, fish, ham, sausages, etc.	
	Vegetables, fruits, etc. stored at low temperatures	
	Vegetables, fruits, etc.	

- The 0 °C Zone, 2 °C Zone and 5 °C Zone temperatures change depending on the temperature set for the fridge.
- A much larger space can be made available for use inside the freezer by removing the ice tray & ice box and upper drawer in the freezer.



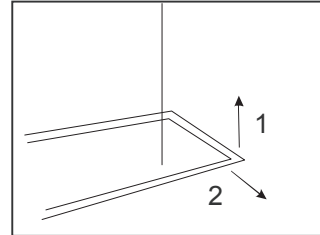
## Refrigerator & Freezer compartment

### Put the food which are short-term storage or to eat at any time in the refrigerator compartment.

Although regulating temperature will enable average temperature of the majority preservation of food. Therefore, refrigerator compartment only use as a short-term food storage.

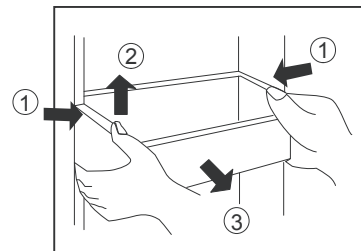
#### • Adjustment of adjustable shelves

According to the needs of food storage, you can adjust the shelf to proper position; To facilitate the use of it or adjustment the location, the shelf can be set to slip so that you can use and adjust it easily. when you want to clear the shelf, please move the shelf by the direction (1), pull out the shelf by the direction (2).



#### • Height adjustment and cleaning of rack.

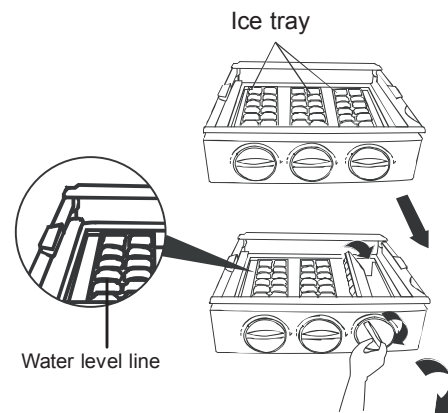
Push the rack by the direction ① from both side, lift the rack by the direction ② and then pull it out by the direction ③. After cleaning to install the rack by the opposite direction. You can also adjust the position according to the height of stored food.



## How to make ice

1. Gently pull out the ice tray and fill the ice tray with water to the water level line. Then carefully replace the ice tray horizontally.

2. When the ice cubes are ready, turn the knob clockwise (turn to the end and release), the ice cubes will drop from the ice tray into the ice box.



\* Picture is only for illustration

#### Notes:

- In order to make ice cubes quickly, set the freezer to the lowest temperature, or select the Quick Freeze Mode. This will make the temperature of the freezer lower.
- Do not over-fill with water. It may become difficult to remove the ice cubes from ice tray and any trickle of water into the ice box will make the ice cubes freeze together.
- If the knob is turned before the ice cubes are ready, any remaining water will trickle into the ice box and cause the ice cubes to freeze together.





## Do and Don'ts

---

- The refrigerator use alternating current supply which is 220-240V / 60Hz. If the voltage, fluctuations is large( Over the scope of 198-264V ), it may cause some failures, such as the refrigerator does not start, The main control board and compressor bum and the compressor works with abnormal voice. etc.At this time you must install an automatic voltage regulator which is above 1000 W for use. The refrigerator power's cord with a three-plug (grounding)complies with the standard three-socket (grounding). Don't cut off or remove the third pin of the power cord under any circumstances. After the refrigerator is installed, Plugs should be able to reach to facilitate use. the power Plug must be firmly contacted with the socket, otherwise it might cause fire.
- Do not grasp and drag the power cord to pull out the refrigerator plugs. Hold the plug firmly, and pull out the plug from the socket directly . Do not let power lines are pinned by the refrigerator or trampled by people.Be careful when the refrigerator will be removed from walls. Do not roll or damage power lines, Do not use power lines and plugs When they were damaged or worn out. Go to the service center which the factory assigns to replace power lines if they were worn out or damaged.
- When inflammable gas is leaked, such as coal gas, close the gas valve, Open the doors and windows,Do not pull out or plug in plugs of the refrigerator and oher appliances.
- Do not store explosive substances such as aerosol cans with a flammable propellant in this appliance.
- Do not use flammable solvent near refrigerator, so as to avoid fire.
- To ensure safety, do not place power outlets, voltage regulated power supply,microwave ovens and other appliances on refrigerator table.Do not use other appliances in refrigerator(except recommended models),In order to avoid electromagnetic interference and other accidents.
- Do not let children go into the refrigerator or climb up the refrigerator. In order to avoid the children are closed in it or the refrigerator falls to hurt children.
- After the refrigerator is running, Do not touch the icy surface of the freezer with hands, particully hands are wet, It may cause frostbite
- The gap between door and door and the gap between door and refrigerator body are very narrow.Be careful not to stretch hands into these areas to prevent fingers from injuring.Do not let the children near the refrigerator when open and close the doors.
- Do not spray and rinse the refrigerator with water and do not install the refrigerator in the wet place or the place which water or rain splashes so as not to affect the electrical insulation of the refrigerator.
- Never dismantle refirigerator personally, never transform refrigerator and damage cooling pipes. Maintenance of refrigerator must be carried out by professionals.
- Do not put bottled of beer,drinks in the freezer. It may freeze the contents to break the bottle.
- Pull out the plug when power failure or cleaning. Wait for 5 minutes or longer when reconnecting the plug. It may damage the compressor due to continuous start.
- Before you dispose your old refrigerator, take off the door, remove the door seals and the shelves place the door and rack in the right position so as to avoid the children climb inside to cause accidents.
- This product is for household refrigerator, according to the regulation of government standard Household refrigerators are only for food storage not for other uses, such as storage of blood, drugs and biological products.



## When moving or transporting the refrigerator

- Before moving or transporting the refrigerator

Remove all the food and ice inside the refrigerator, and disconnect the power plug.

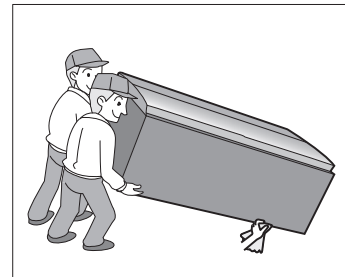
- ① **Raise the adjustable feet, and pull the refrigerator toward the front.**

- ② **Drain off the water from the bottom of the rear panel. (as shown in the figure).**

Place a towel or napkin on the floor and then tilt the refrigerator towards the rear to drain the water from the back side of the refrigerator.

**Note:**

- Wipe the wet floor first before moving refrigerator to prevent slippage .



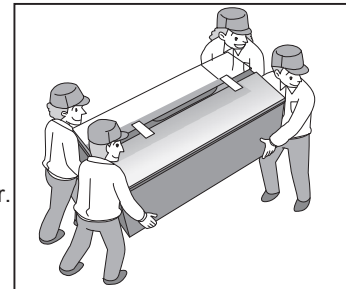
- Moving or transporting the refrigerator

The refrigerator must be transported by at least four persons.

- Each person takes hold of the refrigerator at one of its four corners.
- Do not take hold of the doors.
- Tape the doors completely shut so that they will not open.
- Do not hold by handles while moving, lifting or transporting the refrigerator.

**Note:**

- Bear in mind that water remaining inside the refrigerator may spill out.







## Cleaning and maintenance

Conduct periodic cleaning and maintenance to ensure that the refrigerator will be kept clean and that it will continue to operate for a long time to come.



**WARNING** Before cleaning or conducting maintenance, be absolutely sure to disconnect the power plug from the power outlet. Do not connect or disconnect the power plug with wet hands. Doing so may result in an electric shock or injury.

Do not use the following items for cleaning:

- Alkaline cleaning agents (these may dissolve the plastic parts)
- Abrasive cleaners, soap powders, very hot or boiling water, brushes, acids, benzene, paint thinners, alcohol, etc. (these may mar the surfaces, paint and plastic parts)

### Cleaning

Wipe off easily removable dirt using a cloth dipped in lukewarm water.

Wipe off stubborn dirt using a cloth dipped in some diluted neutral detergent used in the kitchen.

Then take up the remaining detergent using a cloth dipped in lukewarm water.

To complete the cleaning, be absolutely sure to wipe the surfaces dry to take up the remaining moisture.

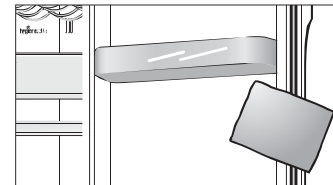
Do not use cleaning agents (containing abrasive cleaners, or chemical mixture), and wipe off food stains, seasoning or dirt on the door as soon as possible.

- **Interior, door rack , adjustable shelf and vegetable case**

Be absolutely sure to wipe off edible oils, butter and other types of fats and oils on the plastic parts. Otherwise, the plastic parts may be damaged. The door rack , adjustable shelf and vegetable case can be removed. If they are very dirty or smelly, remove and wash them.

- **Door opening seal**

A dirty or damaged seal will allow the cold air inside to escape. As soon as the seal becomes dirty, wipe off the dirt immediately.



- **Exterior of refrigerator**

If the exterior becomes dirty, wipe off the dirt. Also, allowing dust to accumulate on the power plug can cause a fire. At periodic intervals, remove the dust using a dry cloth, etc.

- **Control panel**

Wipe the panel using a soft cloth which has been dipped in lukewarm water and then wrung out.

The control panel is made from delicate materials.

As such, take care not to damage its surface.

**Note:**

- Do not wash the door rack , adjustable shelf and vegetable case, or other parts in a dishwasher. Doing so will cause the glaze on the parts or their plating to peel off or the parts to be damaged.



## Checks after cleaning and maintenance

Is the supply cord damaged?

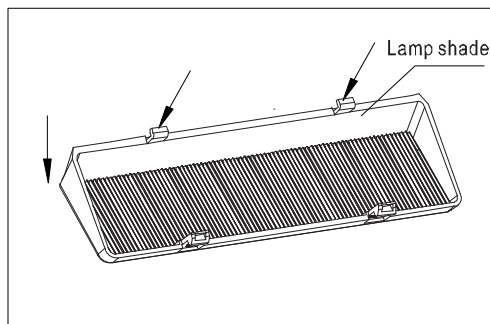
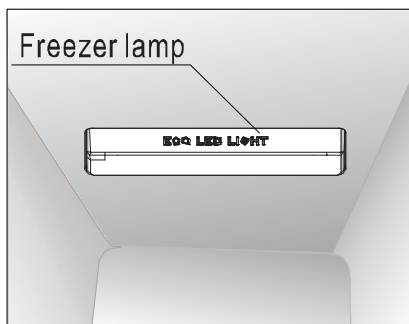
Has the power plug become hot?

Is the power plug firmly connected to the power outlet?

If the supply cord is damaged, remove the power plug from the socket and contact your dealer or an authorized Panasonic service centre.

## Replacement of lights in freezer and refrigerator

- Specification: 12 V DC, LED
- Shut off the power
- As per the photo, remove the shade along the drive direction of the arrow, and then tighten the screws, remove the LED lights;
- Restore, replace anti-steps



If LED or LED cover is damaged or if anything appears questionable, contact your dealer or an authorized service centre. Do not attempt to repair, replace or disassemble any damaged parts, etc. yourself.

## When Shutting off the refrigerator

### - When Power failure

You Should minimize the frequency of opening the door, and it is not appropriate to add to fresh foods in the refrigerator.

### - When discarding the refrigerator

Before you throw away your old refrigerator, make sure take off the doors, so as to avoid the children climb inside to cause accidents.



## Troubleshooting

If you feel that the refrigerator is not working properly, check out the following points first.  
If the trouble persists, disconnect the power plug and contact your dealer or an authorized service centre.

### General

<b>You hear unusual sounds from the refrigerator.</b>	<ul style="list-style-type: none"> <li>• Has the refrigerator been installed on a sturdy and level floor?</li> <li>• Have sufficient clearances been provided around the refrigerator?</li> <li>• Is anything vibrating on the top of the refrigerator?</li> <li>• It's normal to hear some noises when the refrigerator starts or stops operation.</li> </ul>
<b>You hear a sound after the compressor has shut down.</b>	<ul style="list-style-type: none"> <li>• This is normal, and is often caused by refrigerant flowing back to the compressor.</li> </ul>
<b>You hear a sound after you have opened or closed the door.</b>	<ul style="list-style-type: none"> <li>• This is normal, and is due to the difference in air pressure between the inside and outside of the refrigerator.</li> </ul>
<b>You hear the sound of air or water flowing after you have opened the door.</b>	<ul style="list-style-type: none"> <li>• This is caused by refrigerant flowing the internal pipework.</li> </ul>
<b>You hear a clicking sound each time the refrigerator's power is turned on.</b>	<ul style="list-style-type: none"> <li>• This is the sound made by the activation of the three-way valve, and is quite normal.</li> </ul>
<b>You hear a continuous whining sound.</b>	<ul style="list-style-type: none"> <li>• This sound is heard while the fan for circulating the cold air is operating.</li> <li>• Has the refrigerator been set to the Super Freeze Mode? In the Super Freeze Mode, the fan for circulating the cold air runs at high speed so it makes a loud noise.</li> <li>• Has the food been packed too tightly together or is the room temperature high? In cases like these, the fan for circulating the cold air runs at high speed so it makes a loud noise.</li> </ul>
<b>The compressor is quite loud.</b>	<ul style="list-style-type: none"> <li>• Has the refrigerator been set to the Super Freeze Mode? In the Super Freeze Mode, the compressor runs at high speed so it makes a loud noise.</li> <li>• Has the food been packed too tightly together or is the room temperature high? In cases like these, the compressor runs at high speed so it's normal for the compressor to be louder.</li> </ul>
<b>The compressor has been running for a long time.</b>	<ul style="list-style-type: none"> <li>• When the power plug has been connected for the first time, the compressor runs longer than usual in order to cool down the inside of the refrigerator until the set temperatures are reached.</li> <li>• Has the refrigerator been set to the Super Freeze Mode?</li> <li>• Have the doors been opened and closed frequently? Are the doors completely shut?</li> <li>• Have the food items been packed too tightly together or is the room temperature high?</li> <li>• When many food items are placed at a time, the compressor will need to run for a longer.</li> </ul>
<b>Condensation forms on the outside of the refrigerator.</b>	<ul style="list-style-type: none"> <li>• Condensation may form when the humidity in the room is high and is normal. Wipe it off using a dry cloth.</li> </ul>
<b>The outside of the refrigerator feels hot to the touch.</b>	<ul style="list-style-type: none"> <li>• Some heat is normal as the refrigerator incorporates a heat-dissipating pipe to prevent condensation.</li> </ul>
<b>The controls on the control panel cannot be operated.</b>	<ul style="list-style-type: none"> <li>• Is the power to the refrigerator on?</li> <li>• Has the refrigerator been set to the Child Lock?</li> </ul>



**The LED light does not come on.** ● Is the power to the refrigerator on?

**The alarm alert sounds.** ● One or both of the refrigerator's doors have been left ajar. Close the doors.

## • Fridge and freezer

**The fridge is not chilling (and the freezer is not freezing).** ● Is the power to the refrigerator on?

**The fridge is not chilling (and the freezer is not freezing) satisfactorily.**

- Is the set temperature too high?
- Is the refrigerator exposed to direct sunlight or positioned near a heating appliance?
- Have sufficient clearances been provided around the refrigerator?
- Have the food items been packed too tightly together or is the room temperature high?
- Have the doors been opened and closed frequently?  
Are the doors completely shut?
- Has the refrigerator been set to the Fridge Off Mode?
- When warm food is put inside the refrigerator, the temperature will rise temporarily.
- During the cold season or when the room temperature is low, it may feel as if the refrigerator is not chilling.

**There is a difference between the set temperature and actual temperature.**

- Has the refrigerator been set to the Super Freeze Mode?
- When warm food is put inside the refrigerator, the temperature will rise temporarily.

**Food in the fridge freezes.**

- Is the set temperature for the fridge too low?
- Has the food been placed at the back of the fridge?  
The area near the back wall is where the temperatures are coldest so avoid placing food which may freeze easily here.

**Condensation forms in the fridge and drawers.**

- The fridge maintains a high humidity to keep vegetables and other food items fresh.  
Condensation may form when the door has been opened and closed frequently or when it has not been shut completely. Wipe off the condensation using a dry cloth.

**It is hard to open the freezer door.**

- The difference in air pressure between the inside and outside of the freezer may sometimes make it hard to open the freezer door. Wait a few moments, and then try opening the door.

**It smells inside the refrigerator.**

- Were any food items with strong odours sealed before they were placed in the fridge?  
Place the items inside a sealed container and store them or store them on the sealed case door shelf.
- Odours may stick to the surfaces inside the refrigerator. Wipe the surfaces using a soft cloth which has been dipped in lukewarm water.



## Tips for Energy Saving

1. Install the refrigerator in a dry, cool and well-ventilated location. The colder the ambient temperature, the better the efficiency. (Please refer to Page 5 for dimensions and clearance)
2. The combination of door rack and adjustable shelf that result in the largest in volume and the most efficient use of energy for the refrigerator.
  - Remove the ice tray & ice box and adjustable shelf in the freezer.
  - All door racks and adjustable shelves are in the same position as shown under section "Parts and their functions"
3. Do not over fill the refrigerator to allow the air to circulate.
4. Open the doors only when necessary and as briefly as possible.
5. Occasionally clean the ventilation openings at the bottom of the refrigerator with a vacuum cleaner, etc.  
(Take care not to damage the refrigerant pipe at the back of refrigerator)
6. When setting to "Super Freeze Mode", power consumption will be increased.

## Specifications

MODEL	NR-BS702GKAE	NR-BS702GKSA/NR-BS702GKAS
FREEZER STAR RATING	✱***	✱***
TOTAL GROSS VOLUME	584 L	587 L
TOTAL STORAGE VOLUME	527 L	510 L
STORAGE FRIDGE VOLUME	344 L	335 L
STORAGE FREEZER VOLUME	183 L	175 L
PRODUCT DIMENSIONS WIDTH x DEPTH x HEIGHT	895 mm x 690 mm x 1788 mm	895 mm x 690 mm x 1788 mm
NET WEIGHT	99 kg	99 kg
RATED VOLTAGE	220-240 V ~	220-240 V ~
RATED FREQUENCY	50/60 Hz	50/60 Hz
REFRIGERANT	R600a	R600a
BLOWING AGENT	Cyclo-Pentane	Cyclo-Pentane

\*This refrigerator's volume is calculated based on ISO 15502.

\* Country code  
SA : KSA



Panasonic Marketing Middle East & Africa FZE  
Website : [www.panasonic.com](http://www.panasonic.com)

M0119-1  
Printed in China  
16\*\*物料编码

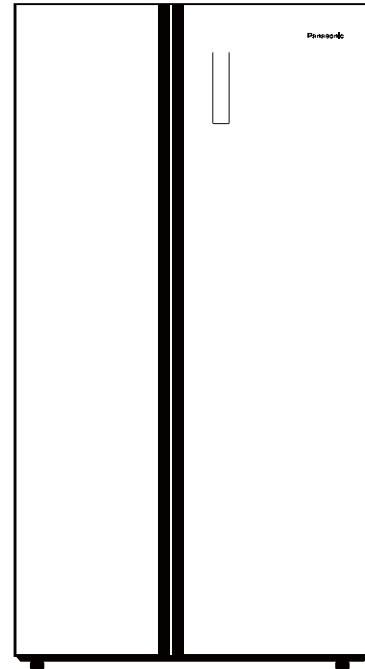


رقم الطراز: NR-BS702GKSA/NR-BS702GKAE/NR-BS702GKAS

شكراً لشرائكم منتجات باناسونيك

#### جدول المحتويات

٢	المقدمة	• الحفاظ على البيئة.....
٢	تعليمات السلامة.....	•
٥	التركيب	• التركيب .....
٥	- اختيار المكان الصحيح .....	
٦	- إزالة الأتربة .....	
٧	- نسوية مكان الثلاجة .....	
٨	التشغيل	• أجزاء الثلاجة ووظائفها.....
٩	- غرفة المجمّد .....	
١٠	- غرفة الثلاجة.....	
١١	- مواصفات المنتج .....	
١٢	- مدخل إلى الوظائف.....	
١٤	• حجرة البراد والثلاجة.....	
١٤	• خيفية تشكيل الثلج.....	
١٥	• افعل ولا تفعل .....	
١٦	• عند تحريك أو نقل الثلاجة.....	
١٧	• التنظيف والصيانة .....	
١٧	- التنظيف.....	
١٨	- استبدال المصباح الموجودة في المجمّد والثلاجة .....	
١٨	- عند إيقاف تشغيل الثلاجة .....	
١٩	• استكشاف الأخطاء وإصلاحها .....	
٢١	• المواصفات .....	



#### • يُصمّم هذا الجهاز للاستخدام المنزلي والاستعمالات المماثلة مثل

- مكان مطبخ الموظفين في المطاعم والمكاتب وغيرها من بيئات العمل؛
- بيوت المزرعة وعن طريق العملاء في الفنادق والنزل وغيرها من بيئات أنواع الإقامة؛
- بيئات أنواع المبيت والإفطار؛
- أماكن تقديم الطعام الاستعمالات المماثلة غير التجارية.

\* الصورة للتوضيح فقط



- يرجى قراءة هذه التعليمات بعناية واتباع احتياطات السلامة قبل استخدام هذا المنتج.
- يرجى الحفاظ على فسانم شراء المنتج مثل نسخة من فاتورة الشراء مع دليل تعليمات التشغيل هذا للاستخدام في أغراض المطالبة بالضمان.

## الحفاظ على البيئة

### التخلص من الحزمة

يرجى إعادة تدوير الحزمة ما أمكن ذلك (على سبيل المثال، الكرتون والحقائب البلاستيكية والشريط اللاصق والبولي ستيرين) والتأكد من التخلص من كافة مواد التعبئة بشكل آمن. حافظ على العبوة بعيداً عن متناول الأطفال والأطفال الصغار لتجنب التعرض للإصابة أو الاختناق.



### قبل التخلص من جهازك القديم

- يرجى اتباع إما تعليمات التخلص المتوفرة من مُصنِّع الجهاز القديم أو لوائح التخلص المحلية الخاصة بالجهاز. وفي حالة عدم توافر ذلك، يرجى اتباع التعليمات المكونة من ثلاث خطوات المذكورة أدناه.
1. أزل القابس من المقبس.
  2. اقطع كبل الإمداد بالطاقة وتخلص منه بأمان مع بقاء قابس الأسلاك الرئيسية متصلاً.
  3. حتى يتم تجميع الجهاز القديم، أو إحضاره إلى مركز التدوير، تأكد من أنه بعيداً عن متناول الأطفال الصغار.
- أزل كافة المواد المانعة للتسريب عن الباب الأطفال عليها ويصبحوا محصورين. وبهذه الطريقة، يقل احتمال التسلُّق عليها وتصبح محشورة.

### تعليمات السلامة

لا تفعل	تشير إلى أنه يجب تأريض الجهاز لمنع حدوث صدمة كهربائية
تأكد من القيام بذلك	لا تفعل بفك الجهاز

### تشير إلى خطر الموت أو التعرض لإصابة خطيرة.

لم يتم تصميم هذا الجهاز للاستخدام من قبل الأشخاص (بما فيها الأطفال) ممن يعانون نقص في القدرات الجسدية أو الحسية أو العقلية، أو ممن ليست لديهم الخبرة والمعرفة، ما لم يوجد إشراف عليهم أو تعليمات متعلقة باستخدام الجهاز من قبل شخص مسؤول عن سلامتهم، ولا بد من وجود إشراف على الأطفال لضمان عدم عبثهم بالجهاز.



تحذير

### تأكد من عدم عصر أو تلف كبل الإمداد بالطاقة والقابس.

- قد يتسبب القابس أو الكبل التالف في حدوث قصر بالدائرة أو اندلاع حريق أو حدوث صدمة كهربائية.
- في حالة تلف كبل الإمداد بالطاقة، يجب استبداله من قبل المُصنِّع أو وكيل الخدمة التابع له أو أشخاص مؤهلين مماثلين لتجنب وقوع خطر.
- لا تحاول تغيير مكان الجهاز بنفسك.



### لا تستخدم محول متعدد المقابس وتوصيل العديد من الأجهزة بنفس محوّل المقبس.

- فقد يتسبب ذلك في فرط السخونة أو اندلاع حريق أو حدوث قصر بالدائرة.
- لا تقم بقرص أو نزع أو لِي كبل الإمداد بالطاقة أو وضع مواد ثقيلة عليه.
- يزيد ذلك من خطر اندلاع حريق أو حدوث صدمة كهربائية. وفي حالة تلف كبل الإمداد بالطاقة أو قابس الجهاز، يجب استبداله من قبل المُصنِّع أو وكيل الخدمة التابع له أو شخص مؤهل مماثل لتجنب وقوع خطر.



### لا تقم بفصل الشلّاجة بسحب كبل الإمداد بالطاقة.

- فقد يتسبب ذلك في تلف كبل الإمداد بالطاقة. أمسك القابس دائماً واسحبه بلطف من المقبس.

### لا تضع أي وعاء للماء أعلى الشلّاجة.

- فقد تتسبب الماء في تلف عزل المكونات الكهربائية وتتسبب في حدوث قصر بالدائرة أو اندلاع حريق أو صدمة كهربائية.

### لا تقم برش غاز قابل للاشتعال بالقرب من الشلّاجة.

- فقد يتسبب ذلك في حدوث انفجار أو اندلاع حريق.

### لا تقم برش الماء على أو في الشلّاجة.

- فقد يتسبب ذلك في اندلاع حريق أو صدمة كهربائية.





قم بفصل الثلاجة قبل التنظيف والقيام بأعمال الصيانة.

- فقد يتسبب الإخفاق في ذلك في التعرض لصدمة كهربائية.

إذا شممت رائحة حريق أو رأيت دخان يصدر عن الثلاجة، فقم بفصل الطاقة في الحال ورجاء استشر مركز خدمة الصيانة المعتمد.

إشعاع المصباح LED

لا تعرضه مباشرة بالأجهزة البصرية

منتج LED من الدرجة IM



يدل على خطر التعرض للإصابة الشخصية أو تلف المنتج.



لا تضع العبوات أو الأوعية الزجاجية في المجمد.

- عند تجميد المحتويات، يتعرض الزجاج للكسر.

لا تلمس الجدران الداخلية للمجمد أو العناصر المحفوة في المجمد باليد المبللة.

- تتجمد بشرتك على الجدران الداخلية، أو العناصر المحفوظة في المجمد.

لا تفتح أو تغلق الأبواب عن طريق الإمساك بمقابض البايكلا يدك.

- فقد يتسبب ذلك في التعرض للإصابة الشخصية.



إذا حدث انقطاع التيار الكهربائي، فتجنب فتح الثلاجة بشكل متكرر أو وضع أي أطعمة غير مبردة.

- فقد يتسبب ذلك في رفع درجة الحرارة في الثلاجة وسكب الأطعمة المحفوظة بداخلها.

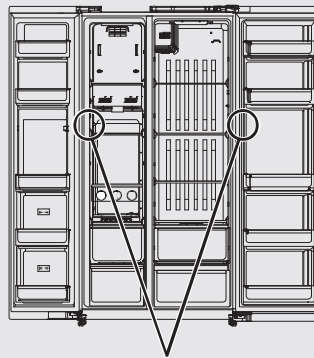
إذا لم تكن تستخدم الثلاجة لفترة طويلة، فقم بفصلها عن التيار الكهربائي الأساسي.

أيضاً، كن حذراً بالنسبة للفراغ الموجود بين أبواب الثلاجة والمجمد، خاصة إذا كان كلا منهما مفتوحاً في نفس الوقت.

- فقد يتسبب ذلك في حدوث إصابة شخصية.

عند فتح الثلاجة، كن حذراً ولا تقرص على أصابعك في مناطق "نقطة القرص".

- فقد يتسبب ذلك في حدوث إصابة شخصية.



نقطة قرص محتملة

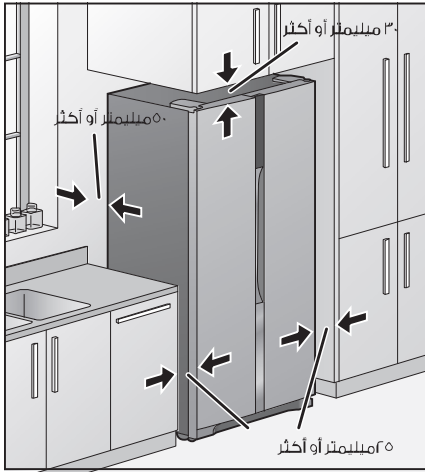
## اختيار المكان الصحيح

## قم بتركيب الثلاجة في مكان يفي بالمعايير التالية:

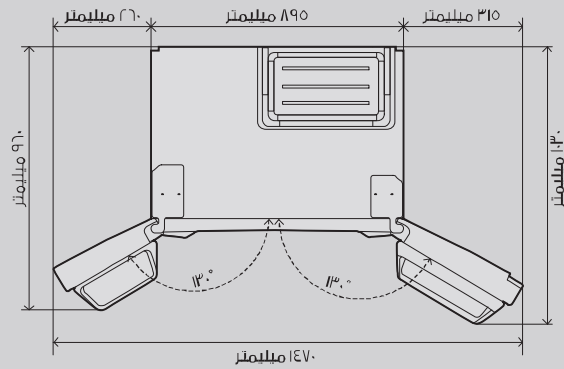
- حيث لا تتعرض الثلاجة فيه لأشعة الشمس المباشرة
- حيث تكون الثلاجة بعيدة عن أجهزة التسخين وأجهزة الطهي ومصادر الحرارة الأخرى
- مكان حاف ويتميز التهوية الجيدة
- حيث تكون الأرضية صلبة ومستوية
- ضع لوح صلب بالأسفل إذا ما يتم تركيب الثلاجة على سجادة أو أرضية من الفينيل.
- سيحمي اللوح الأرضية من أن تصبح مشوهة متغيرة اللون.

## اترك مسافة خلف الثلاجة للسماح بتبريد الحرارة

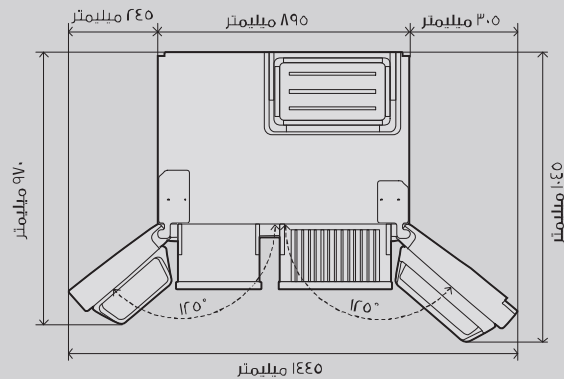
تنبعث الحرارة المتبقية من الثلاجة أثناء تشغيلها،  
اترك مسافة كافية حول الثلاجة للسماح بهذه الحرارة للتبريد حتى لا تتعرض قدرتها على التبريد للتلف.



## عندما تكون الأبواب مفتوحة تمامًا



## عندما يتم إخراج الأدراج الموجودة في الثلاجة



## إزالة الأبواب

إذا لم تتمكن من تمرير التلاجة من خلال ممر الباب أو المدخل، فقم بإزالة أبوابها.  
وقبل إزالة الأبواب، تأكد تماما من التحقق من إيقاف تشغيل طاقة التلاجة.  
عندما تريد إزالة الأبواب، رجا اتصل على الموزع أو مركز الخدمة المعتمد أو الوصول إلى موقع الويب  
(<http://panasonic.net>).



ملاحظة: لا تتحمل شركة باناسونيك ولا وكيلها المعتمد المسؤولية إذا قمت بإزالة الأبواب بنفسك.

الأبعاد (مم): ٨٩٠ عرض × ٦٠٠ عمق × ١٧٦٥ ارتفاع (بدون أبواب)

الأبعاد (مم): ٨٩٥ عرض × ٦٩٠ عمق × ١٧٨٨ ارتفاع (مع الأبواب)

## ضبط مستوى الثلجة

- قم بإدارة الأرجل القابلة للضبط بحيث يتم تركيب الثلجة مستوية مع الأرضية. إذا لم تستوي الأواب اليمنى واليسرى مع كل منهما الآخر، فقم بإدارة أحد الأرجل القابلة للضبط وقم بمحاذاة الأواب.

١. انقل الثلجة في مكانها النهائي، وإذا لزم الأمر، امتح كلا البابين بمقدار ٩٠ درجة.

٢. يتم تحديد مكان قديمي ضبط المستوى على الحوامل لكلا جانبي المنتج.

**ملاحظة:** يتسبب دفع أحد الأشخاص للجزء العلوي للثلجة في إقصاء بعضا من وزن قدم ضبط المستوى، ويعمل ذلك على تسهيل عملية الضبط.

٣. أدر قدم ضبط المستوى إلى اليسار لرفع هذا الجانب من المنتج، أو أدرها إلى اليمين لخفض هذا الجانب من المنتج.

**ملاحظة:** يجب أن يكون كلا من قديمي ضبط المستوى مستكن على الأرضية، وذلك يحافظ على عدم تحرك الثلجة للأمام عند فتح الأواب.

٤. افتح كلا البابين مرة أخرى وتأكد من أنهما مغلقين كما تحب ببساطة، إذا لم يكن كذلك، قم بإمالة الثلجة أكثر قليلاً للخلف عن طريق تدوير قدم ضبط المستوى إلى اليسار. وقد يستغرق ذلك العديد من عمليات التدوير، على أن تقوم بتدوير كلا من قديمي الضبط بنفس المقدار.

٥. استخدم ميزان التسوية للتحقق من ضبط مستوى الثلجة.

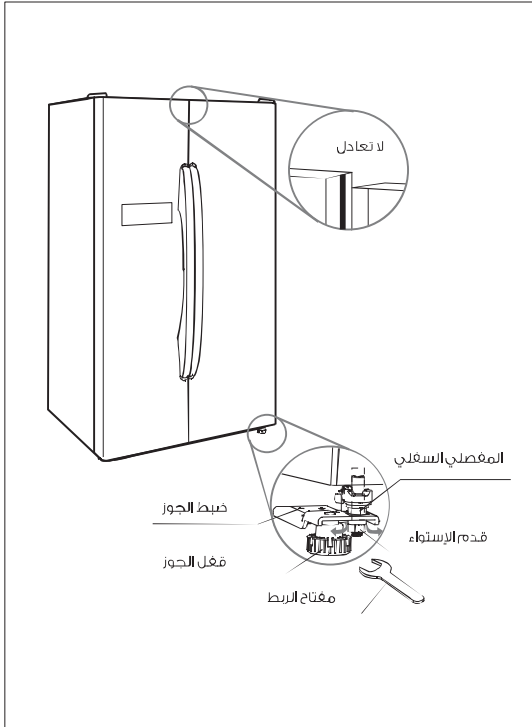
**ملاحظة:** عندما تريد تحريك الثلجة، قم بتدوير قدم ضبط المستوى إلى اليمين حتى تكون غير ملامسة للأرض، وسيسمح ذلك للثلجة بالتدحرج بسهولة أكثر.

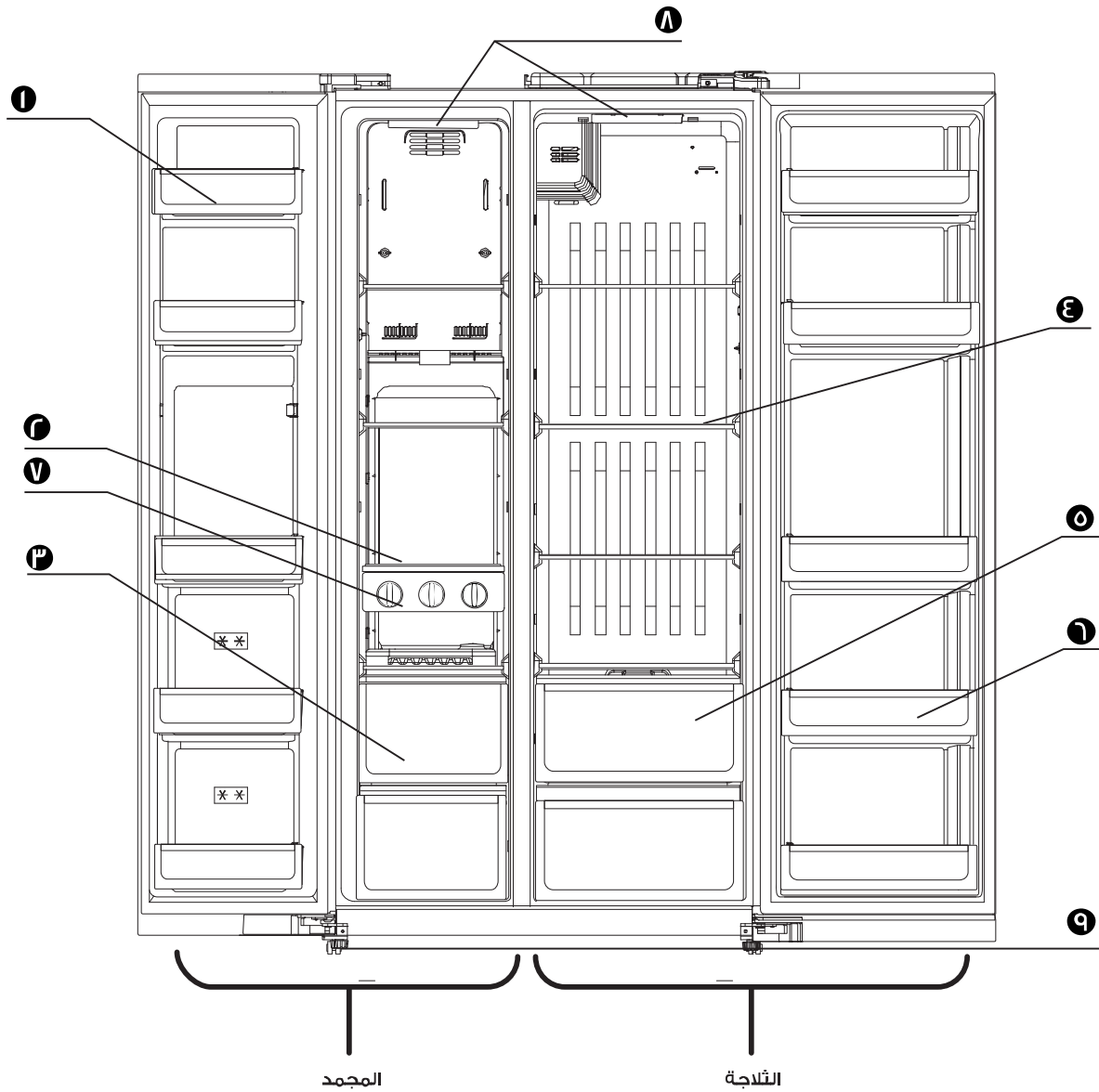
### الإعداد قبل الاستخدام

- قم بإزالة كافة مواد التعبئة والأشرطة.
- قم بمسح الجزء الداخلي للثلجة باستخدام قطعة قماش مبللة في ماء فاتر ثم قم بعصرها.
- قم بغسل المنتج وتجفيف صندوق الثلج تماماً قبل التركيب. (لا تستخدم مجفف الأطباق أو مجفف الشعر أو جهاز آخر عند التجفيف)
- توصيل مقبس الطاقة بمنفذ الطاقة الخارجي

### ملاحظات:

- قد يستغرق التبريد وقت أطول في شهور الصيف أو في أماكن أخرى عندما تكون درجة حرارة الغرفة أعلى.
- تصوء شاشة الثلجة للتنبيه بارتفاع درجة الحرارة
- إذا كنت تريد فصل طاقة الثلجة، فانتظر على الأقل ١٠ دقائق قبل توصيلها مرة أخرى، فقد يتسبب ذلك في إتلاف المكثف.



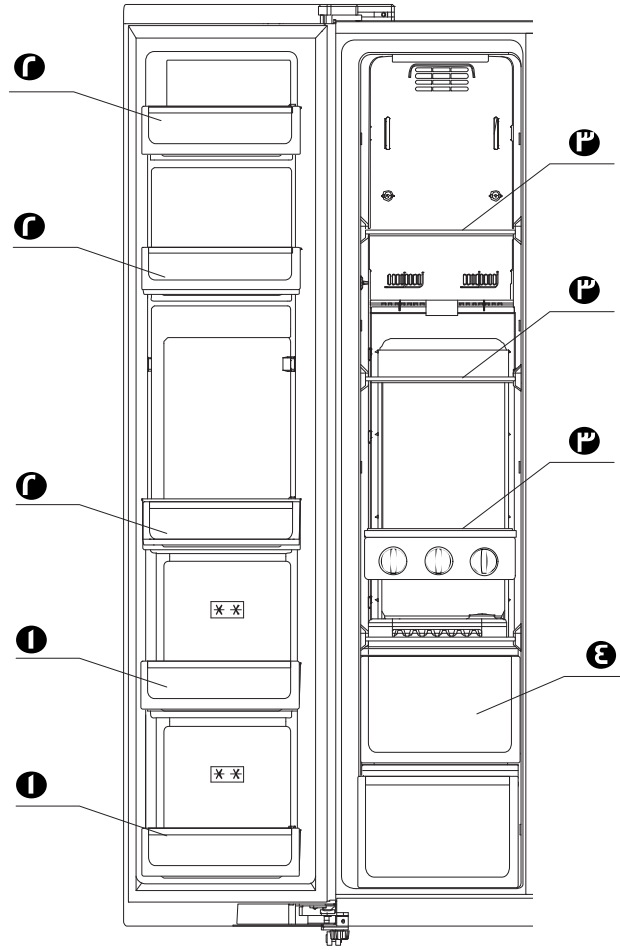


١. رف باب الثلاجة
٢. درج الثلج
٣. مصباح LED
٤. أرجل قابلة للتعديل

١. رف باب المجمد
٢. رف زجاجي لغرفة المجمد
٣. درج غرفة المجمد
٤. رف زجاجي لغرفة الثلاجة
٥. درج الخضروات

## غرفة المجمد

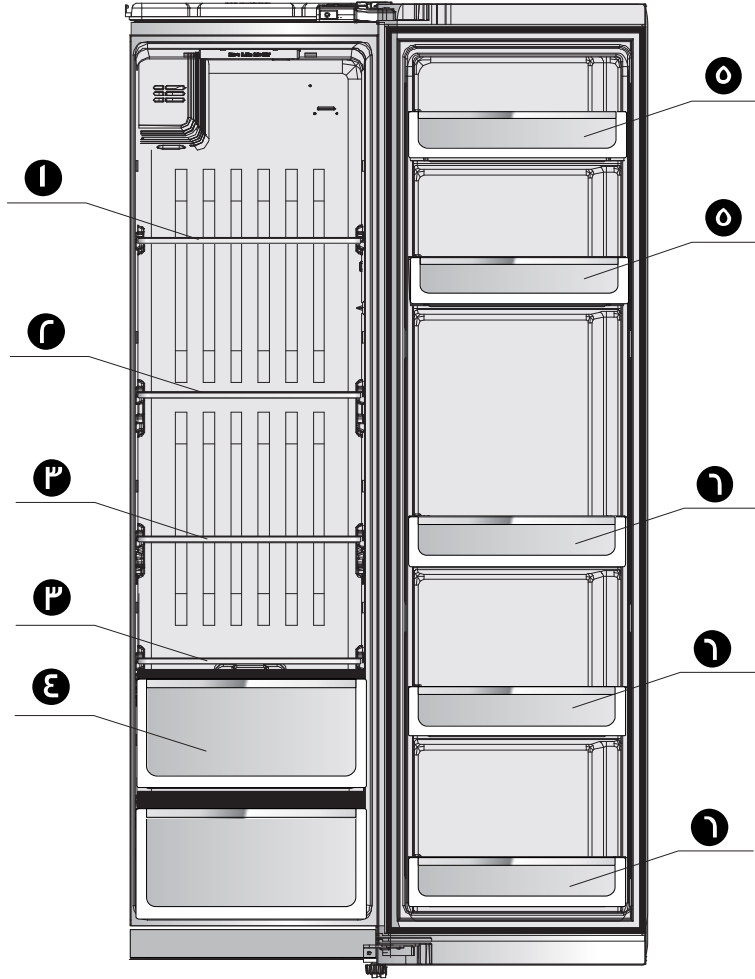
تستخدم حجرة المجمد لحفظ الأطعمة لمدة طويلة. تعد درجة حرارة حجرة المجمد منخفضة جدًا، ولذا يمكنها حفظ الطعام في حالة طازجة بمدة طويلة. من الأفضل أن تضع الطعام الذي يتطلب فترة أطول من الوقت للحفظ في هذا المكان. لكن، يجب عليك الامتنثال لوقت التخزين الموجود على عبوات الطعام.



١. يتم استخدام شبكات التخزين على باب المجمد لحفظ الأطعمة والأيس كريم لفترة قصيرة.
٢. يتم استخدام شبكات التخزين في غرفة المجمد لحفظ الطعام المجمد.
٣. يتم استخدام الأرفف الزجاجية لحفظ الأطعمة المجمدة، مثل الأسماك واللحوم والأيس كريم.
٤. يتم استخدام درج المجمد لحفظ الأسماك واللحوم والدواجن وعبوات الأطعمة.

## غرفة ثلاجة

توصيات منطقة الحفظ لكافة أنواع الأطعمة  
كدائرة تبريد الهواء في الثلاجة، تجعل درجة الحرارة في كافة المناطق تختلف.  
ولذا يجب وضع أنواع مختلفة من الأطعمة في منطقة درجة الحرارة المختلفة.



١. حفظ الباستا والمعلبات والحليب وغيرها
٢. حفظ الأطعمة السريعة، الأطعمة الذوقية المتداخلة بسهولة، منتجات الألبان وغيرها
٣. حفظ اللحوم المطهية والسجق وغيرها
٤. حفظ الفواكه والخضروات وغيرها
٥. حفظ المعلبات والتوابل وغيرها
٦. حفظ كافة أنواع المشروبات الزجاجية والأطعمة

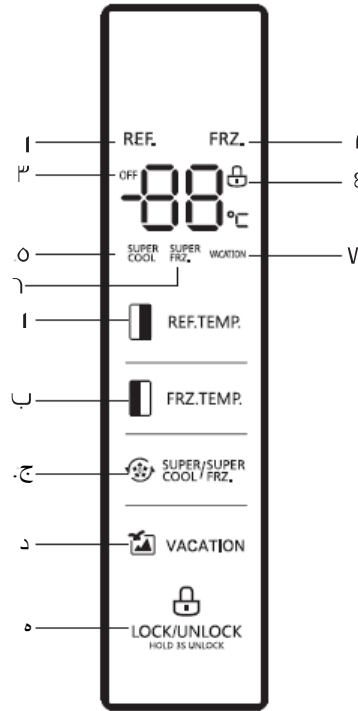


## مواصفات المنتج

- \* **الثبات على حفظ التكنولوجيا الجديدة**
- نظام عاصف منفصل في مقصورة الثلجة، والتحكم في درجة الحرارة منفصل، استقرار درجة حرارة التخزين ، و طازجة لوقت طويل.
- \* **تذويب الثلج قبل التبريد**
- تكنولوجيا التذويب في البرد مع هدف الحفاظ على استقرار درجة الحرارة في الثلجة، ومناسبة للحفاظ على المواد الغذائية الطازجة.
- \* **كفاءة إزالة الجليد**
- يعتمد إزالة الجليد على استخدام التردد مع الغرض من توفير الطاقة.
- \* **الرفوف المنزلة، مريحة الاستخدام**
- تصميم الفريزر ورف الثلجة رف المنزلق وتمتد، تعتبر مريحة للتخزين.
- \* **الكفاءة البشرية**
- يتم تعديل تأثير التجمد وفقاً لدرجة حرارة التخزين ودرجة الحرارة بالداخل بواسطة الكمبيوتر
- \* **لطيفة البعد**
- حجم رفيق جدا. حجم كبير جدا. تستخدم الثلجة مقصورة الراقي رف زجاجي مدرع.
- \* **CFC وتصميم ليس الصقيع. تجميد الصوم**
- تستخدم هذه الثلجات R600a المستندة إلى الهيدروكربون (أيزوبوتين) كمواد التبريد الخاصة بها و السيكلوبنتان (مادة الرغوة) كعزلها. لا تحتوي مواد التبريد غير الكلوروفلورية / الهيدروكلوروفلوروكربوم (R600a = الأيزوبوتان) والمواد الرغوية غير الكلورية فلورية / مركبات الكربون الهيدروكلورية فلورية (السيكلوبنتان) على الكلور الذي يستنزف طبقة الأوزون ولكن المواد الصديقة للبيئة ذات التأثير الأدنى على الأرض من حيث الإنذار العالمي (\* 1).
- \* **التنبيه التلقائي من المشكلة**
- إذا ظهر أي خلل، تم برمجت المنتج لإعطاء التنبيه التلقائي عن طريق التنبيه. يرجى الاتصال بخدمة باناسونيك التنفيذية.

الرمز الافتراضي	الدائرة المقابلة
E1	دائرة الكشف عن درجة حرارة البرودة
E2	دائرة الكشف عن درجة حرارة الفريزر
E5	دائرة الفريزر لإزالة الجليد الكشف عن درجة الحرارة
E6	خطأ في الاتصال
E7	دائرة الكشف عن درجة الحرارة المحيطة

- \* **ضاغط موثوق مع نوعية جيدة**
- تم تجهيز المنتج مع محكم ضاغط مخنوم عالي السرعة.
- \* **إنذار الباب المفتوح**
- عند إبقاء باب PC أو باب FC الباب مفتوحاً أكثر من 2 دقيقة وأكثر، ستطلق الوحدة صوت زمارة.



## ١. وظيفة الزر

- أ. تعديل درجة حرارة مقصورة الثلاجة
- ب. تعديل درجة حرارة حجرة التجميد
- ج. بارد جداً د / سوبر FRZ.
- د. وضع راحة
- هـ. قفل / فتح

## ٢. التشغيل

١. مقصورة الثلاجة
٢. حجرة التجميد
٣. إغلاق مقصورة الثلاجة
٤. رمز القفل
٥. وضع بارد جداً
٦. وضع سوبر FRZ.
٧. وضع راحة

## ٣. قفل / فتح

في حالة عدم قفل، اضغط على مفتاح ه لمدة ٣ ثوان، تصبح الثلاجة في وضع الامان ويظهر رمز (E). اضغط مفتاح ه لمدة ٣ ثوان باستمرار في حالة الامان، يظهر رمز (E) ويتم فك قفل الحالة. يجب أن تكون الوظائف التالية قيد التشغيل في حالة إلغاء الضغط على زر الوضع (الزرج.)، يمكنك اختيار وضع التشغيل كما يلي.

بارد جداً - سوبر FRZ. - سوبر بارد و فرز. - لا شيء

يجب أن تكون الإعدادات التالية متاحة عند التأمين.

#### ٤. وضع الإجازة

اضغط على المفتاح B لتحديد وضع الإجازة، تظهر الأيقونة ١، ثم اضغط على المفتاح D للتأكيد، ستعمل الثلاجة طبقاً لوضع الإجازة.

#### ٥. وضع التبريد السريع

اضغط على المفتاح B لتحديد وضع التبريد السريع، تظهر الأيقونة ٣، ثم اضغط على المفتاح D للتأكيد، وستعمل الثلاجة طبقاً لوضع التبريد السريع.

#### ٦. وضع التجميد السريع

اضغط على المفتاح B لاختيار وضع التجميد السريع، تظهر الأيقونة ٢، ثم اضغط على المفتاح D للتأكيد، وستعمل الثلاجة طبقاً لوضع التجميد السريع.

#### ٧. إعدادات درجة حرارة غرفة الثلاجة

اضغط على المفتاح C، يعرض درجة حرارة غرفة الثلاجة مع الفلاش، اضغط على المفتاح C مرة أخرى ويمكنك ضبط درجة الحرارة، ويكون نطاق درجة الحرارة من ٢ إلى ٨ درجات مئوية.

#### ٨. إعدادات درجة حرارة غرفة المجمد

اضغط على المفتاح A، يعرض درجة حرارة غرفة الثلاجة مع الفلاش، اضغط على المفتاح D مرة أخرى ويمكنك ضبط درجة الحرارة، ويكون نطاق درجة الحرارة ١٢ إلى ٢٢ درجة مئوية.

ملاحظة: عندما تتغير درجة حرارة المجمد التي تم ضبطها، إذا تم ضبط وضع الوظيفة ذات الصلة (مثل وضع التبريد السريع، وضع المجمد السريع، وضع التبريد السريع والمجمد، وضع الإجازة)، يجب أن يتم الخروج من وضع الوظيفة ذات الصلة أو إلغاؤه مرة واحدة.

### إرشادات الأطعمة المحفوظة في الثلاجة

	الأطعمة المجمدة، اللحوم، الأسماك، الأيس كريم، غير ذلك.	الثلاجة	
	البرودة، منتجات الألبان، البيض، المشروبات، التوابل، الأطعمة المطهورة، غير ذلك.		
	اللحوم، الأسماك، الفمبورجر، السجق، غير ذلك		البراد
	الخضروات، الفواكه، غير ذلك المحفوظة في درجات حرارة منخفضة		
	الخضروات، الفواكه، غير ذلك		

#### ملاحظات:

- تتغير درجات حرارة المنطقة التي تخون فيها الحرارة ٠ درجة مئوية و ٢ درجة مئوية وه درجة مئوية اعتماداً على ضبط درجة الحرارة للثلاجة.
- يمكن إتاحة مساحة أكبر بكثير للاستخدام داخل المجمد عن طريق إزالة درج الثلج و صندوق الثلج والدرج العلوي في المجمد.

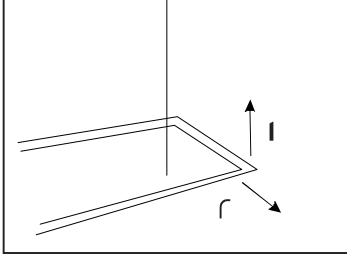
## غرفة التلاجة والمجمد

ضع الطعام الذي يحتاج إلى الحفظ لمدة قصيرة أو للأكل في أي وقت في غرفة التلاجة

وعلى الرغم من أن درجة الحرارة المنظمة **b** تمكن من متوسط درجة حرارة أغلبية حفظ الطعام.

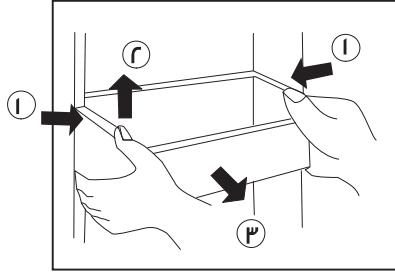
وعليه، تستخدم غرفة التلاجة فقط لحفظ الطعام لفترة قصيرة.

## ● ضبط الرف



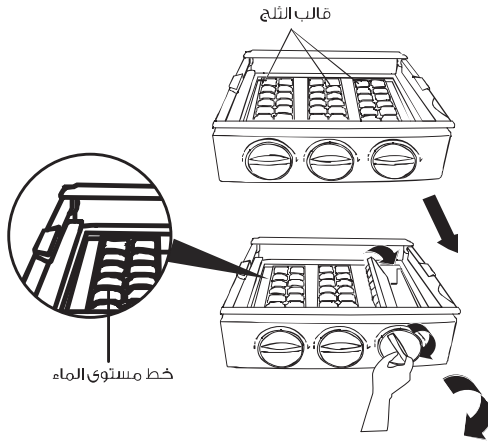
تبعاً للاحتياجات الخاصة بتخزين الطعام، بوسعك تعديل الرف بوضعية مناسبة، ولتسهيل استخدام الرف أو ضبط موقعه، يمكن جعله بوضعية يمكن زلعه من خلالها، ما يمكنك من استخدامه بسهولة، وحين تودين تنظيف الرف، حركيه بالاتجاه (a) ثم أضرجه بالاتجاه (b).

## ● ضبط الارتفاع وتنظيف الحامل.



ادفعي الرف بالاتجاه (a) من الجانبين، ارفعي الرف بالاتجاه (b) ثم اسحبيه بالاتجاه (c). وبعد تنظيف الرف قموي بتركيبه بالاتجاه المعاكس، ويمكنك أيضاً تعديل وضعية الرف تبعاً لارتفاع الطعام المخزن.

## كيفية تشكيل الثلج



1. اسحب درج الثلج للخارج برفق واملاً درج الثلج بالماء حتى خط مستوى الماء، وبعدها استبدل درج الثلج برفق أفقياً.

2. عندما تكون مكعبات الثلج جاهزة، أدر البكرة في اتجاه عقارب الساعة (أدورها حتى النهاية وحررها)، ستسقط مكعبات الثلج من درج الثلج في صندوق الثلج.

: الصورة للتوضيح فقط

## ملاحظات:

- لكي تقوم بعمل مكعبات ثلج سريعة أو اضبط المجمد على أقل درجة حرارة أو حدد وضع التجميد السريع.
- وسيجعل ذلك درجة حرارة المجمد أقل.
- لا تفرط في ملء درج الثلج بالماء، فقد يكون من الصعب إزالة مكعبات الثلج من درج الثلج وأي تقطر للماء في صندوق الثلج سيجعل مكعبات الثلج تتجمد معاً.
- إذا ما تم إدارة البكرة قبل تجهيز مكعبات الثلج، ستتقطر المياه المتبقية في صندوق الثلج وتتسبب في تجميد مكعبات الثلج معاً.

- تستخدم الثلجة مصدر تيار متردد بقدرة ٢٢٠-٢٤٠ فولت / ٦٠ هرتز، إذا كان تقلب الجهد الكهربائي كبير (أكبر من نطاق ٢٦٤-١٩٨ فولت)، ففقد يتسبب ذلك في التعطيل، مثل عدم عمل الثلجة وأن تعمل لوحة التحكم الرئيسية وقاعدة الضاغط والضاغط بصوت غير طبيعي وغيرها، وفي هذا الوقت، يجب عليك تركيب منظم جهد كهربائي أو توماتيكي أعلى من المنخفض للاستخدام، ويتوافق كبل طاقة الثلجة مع المقبس الثلاثي (التأريض) مع المقبس الثلاثي القياسي (التأريض)، ولا تقم بقطع التيار الكهربائي أو تزيل الدبوس الثالث لكبل الطاقة في أي ظروف، وبعد تركيب الثلجة، يجب أن يكون بمقدورك الوصول إلى المقابس لتسهيل الاستخدام، يجب اتصال مقبس الطاقة بإحكام باستخدام المقابس، وإلا تسبب في حدوث حريق.
- لا تمسك وتنسحب كبل الطاقة لإخراج مقابس الثلجة، أمسك المقبس بإحكام، واسحب المقبس للخارج من القابس مباشرة، ولا تترك خطوط الإمداد بالطاقة موهونة بالثلجة أو يعثر بها الأشخاص، وكن على حذر عند إزالة الثلجة عن الجدران، ولا تقم بدرجة أو إتلاف خطوط الإمداد بالطاقة، ولا تستخدم خطوط الإمداد بالطاقة ولا المقابس عند تعرضها للتلف أو التآكل، وانتقل إلى مركز خدمة الصيانة الذي يعينه المصنع لاستبدال خطوط الإمداد بالطاقة إذا ما تعرضت للبيبي أو التلف.
- عندما يتسرب غاز قابل للاشتعال، مثل غاز التبريد، أغلق صمام الغاز، وافتح الأبواب والنوافذ، ولا تسحب مقابس الثلجة والأجهزة الأخرى للخارج أو توصلها.
- لا تقم بتخزين المواد الانفجارية مقل عبوات الإيروسول مع مواد دافعة على الاشتعال في هذا الجهاز.
- لا تستخدم المواد المذيبة الغابلة للاشتعال بالقرب من الثلجة، تجنباً لحدوث حريق.
- وبعد تشغيل الثلجة، لا تلمس السطح الثلجي للمجمد بيديك، خاصةً مع خون الأيدي مبللة، فقد يتسبب ذلك في لسعة الصقيع.
- تعتبر المساحة الفارغة بين الباب والباب وبين الباب وجسم الثلجة ضيقة جداً، فكن على حذر ولا تمد يديك في تلك المناطق لمنع تعرض أصابعك للإصابة، ولا تترك الأطفال بالأفغال بالقرب من الثلجة عند فتح وغلق الأبواب.
- لا ترش وتغمس الثلجة في الماء، ولا تقم بتركيب الثلجة في مكان مبلل أو المكان الذي تتساقط فيه الأمطار أو ترش فيه المياه حتى لا يؤثر ذلك على العزل الكهربائي للثلجة.
- لا تقم أبداً بفك الثلجة بنفسك، ولا تحاول نقلها وإتلاف أنابيب التبريد، ويجب أن تتم أعمال صيانة الثلجة على يد محترفي هذا المجال.
- لا تضع زجاجات البيرة والمشروبات في المجمد، فقد تتجمد محتوياتها مما يتسبب في كسر الزجاج.
- اسحب المقبس للخارج عند قطع التيار الكهربائي عن المنتج أو عند تنظيفه، وانتظر لمدة ٥ دقائق أو أكثر عندما تعيد توصيل المقبس، فقد يتسبب ذلك في إتلاف الضاغط نتيجة لبدء التشغيل المستمر.
- قبل التخلص من المنتجات القديمة، قم بترغيب الباب وإزالة أمفال الباب والأرفف وضع الباب والرف في الوضع الصحيح حتى تتجنب تسلق الأطفال بالداخل الأمر الذي يسبب الحوادث.
- يتم تصنيع هذا المنتج للاستخدام المنزلي، طبقاً للوائح الحكومية، تستخدم الثلجات المنزلية القياسية فقط لحفظ الأطعمة وليس للاستخدامات الأخرى، مثل تخزين الدم والأدوية والمنتجات البيولوجية.

## عند تحريك أو نقل الثلجة

### • قبل تحريك البراد أو نقله

أخرج الأطعمة والثلج منه وافصل قابس الطاقة.

#### 1 قم بإزالة الشبكة الأمامية.

#### 2 ترفع الأقدام القابلة للضبط ويدفع البراد إلى الأمام.

#### 3 يتم تفريغ الماء من مخرج الماء في أسفل اللوح الخلفي. (كما هو موضح في الشكل)

يوضع وعاء تحت مخرج الماء وتتم إمالة البراد إلى الخلف ثم يتم تفريغ الماء من المخرج.



### تحريك البراد أو نقله

يجب أن يقوم أربعة أشخاص على الأقل بنقل البراد.

• يمسك كل شخص بإحدى الزوايا.

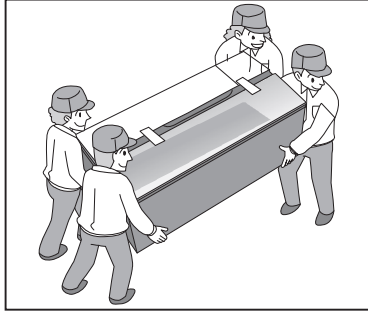
• لا يجب مسك الباب أثناء ذلك.

• يجب إغلاق الأبواب وإصافها كي لا تفتح أثناء النقل.

• يمنع إمساك المقابض أثناء تحريك البراد أو رفعه أو نقله.

#### ملاحظة:

• يجب الانتباه إلى أن الماء المتبقي داخل البراد قد ينسكب إلى الخارج.



## التنظيف والصيانة

يجب تنظيف البراد وصيانته بصورة دورية للتحقق من بقائه نظيفاً واستمراره بالعمل لمدة طويلة.

قبل التنظيف أو الصيانة، يجب التأكد تماماً من فصل قابس الطاقة من المأخذ، ويمنع وصل القابس أو فصله بيدين رطبتين. حيث يمكن أن يؤدي ذلك إلى حدوث إصابة أو صدمة كهربائية.



**تحذير:**

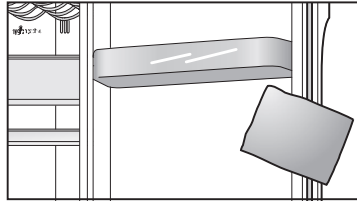
- يمنع استخدام المواد التالية في التنظيف،
- عوامل التنظيف القلوية (إذ يمكن أن تذيب الأجزاء البلاستيكية).
- مواد التنظيف الكاشطة أو مساحيق الصابون أو الماء المغلي أو شديد السخونة أو الفراشي أو الحموض أو البنزين أو مرققات الطلاء أو الكحول أو غيرها (حيث يمكن أن تفسد سطح البراد طلاءه وأجزائه البلاستيكية).

### التنظيف

امسح الأوساخ القابلة للإزالة بواسطة قطعة قماش منقوعة في ماء فاتر.  
امسح الأوساخ العنيدة بواسطة قطعة قماش منقوعة في إحدى مواد التنظيف الحادية المحففة التي تستخدم في المطابخ. بعد ذلك تزال مادة التنظيف المتبقية على سطح البراد بواسطة قطعة قماش منقوعة في الماء الفاتر. ولإتمام عملية التنظيف، يجب التحقق من مسح السطح بقطعة قماش جافة لإزالة الرطوبة المتبقية. يجب عدم استخدام عوامل من قبيل المنظفات الكاشطة أو الخلاط الكيميائية، ويجب إزالة بقع الطعام أو التوابل أو الأوساخ العالقة على الباب بأسرع وقت ممكن.

### • الجزء الداخلي للبراد والدروج والرفوف الزجاجية ورفوف الباب

يجب التحقق تماماً من مسح الزيوت الصالحة للأكل والزبدة وغيرها من أنواع الدهون والزيوت العالقة على الأجزاء البلاستيكية. وإلا يمكن أن يلحق ذلك بالأجزاء البلاستيكية، يمكن فك الدروج والرفوف الزجاجية ورفوف الأبواب، فإن كانت منسحة أو تصدر بعض الروائح، قم فحها وتنظيفها.



### • مادة إغلاق الباب

إن اتساح مادة فغل الباب أو تضررها يسبب خروج الهواء البارد من داخل البراد. وحالما تتسخ مادة الفغل، يجب مسح الأوساخ على الفور.

### • الجزء الخارجي للبراد

في حال اتساح البراد من الخارج، فقم بمسح الأوساخ على الفور. ممكن أن يسبب تراكم الغبار على قابس الطاقة حدوث حريق. حيث يجب إزالة الغبار بصورة دورية باستخدام قطعة قماش جافة أو ما شابهها.

### • لوحة التحكم

امسح لوحة التحكم بقطعة قماش رقيقة تم نقعها في الماء الدافئ بعد عصرها. إن لوحة التحكم مصنوعة من مواد رقيقة، ولذلك يجب أخذ الحيلة بعدم إلحاق الأذى بسطحها.

### ملاحظة:

- يمنع غسل الدروج أو الرفوف الزجاجية أو رفوف الأبواب أو غيرها من الأجزاء في جلاية الصحون، حيث يمكن أن يسبب ذلك تقشر الطلاء أو الدهان أو إلحاق الأذى بتلك الأجزاء.

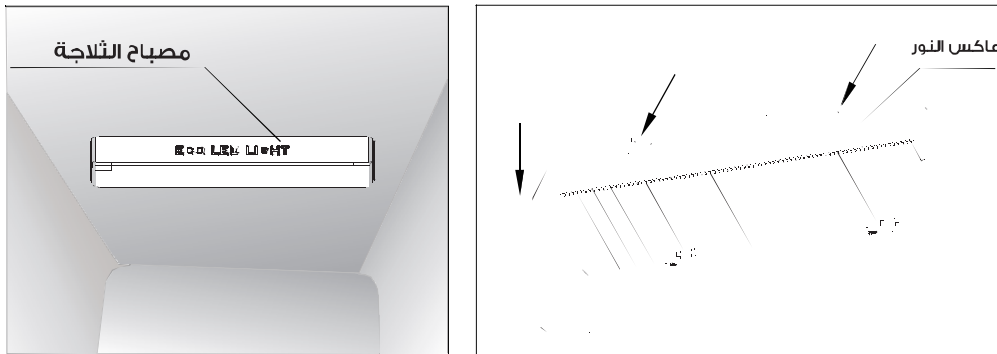
## التنظيف والصيانة

### فحوصات ما بعد التنظيف والصيانة

- هل تلف كبل الإمداد بالطاقة؟
- هل أصبح مقيس الطاقة ساخنًا؟
- هل مقيس الطاقة متصل بمخرج الطاقة بإحكام؟
- في حالة تلف كبل الإمداد بالطاقة، قم بإزالة مقيس بالطاقة عن القابس واتصل بالموزع الخاص بك أو بمركز صيانة باناسونيك المعتمد.

### فحوصات ما بعد التنظيف والصيانة

- المواصفات: تيار مستمر بقدرة 12 فولت، مصباح LED
- فصل الطاقة
- كما هو موضح في الصور، قم بإزالة مظلة الضوء بطول اتجاه سهم المحرك، ثم أحكم ربط البراعي، وإزالة مصابيح LED؛
- استرجع، استبدل الخطوات المعاكسة



في حالة تلف المصباح LED أو غطاء المصباح LED أو في حالة إثارة أي شيء للسؤال، اتصل بالموزع الخاص بك أو مركز صيانة معتمد، لا تحاول إصلاح أي قطع تالفة أو استبدالها أو فكها وغيرها من الأعمال بنفسك.

### عند إيقاف تشغيل الثلجة

#### - عند انقطاع الطاقة

يجب عليك تقليل عدد مرات فتح الباب، ومن غير المناسب إضافة أطعمة طازجة في الثلجة.

#### - عند التخلص من الثلجة

قبل أن تلقي ثلاجتك القديمة، تأكد من إزالة الأبواب، لتجنب تسلق الأطفال بداخلها حتى لا يتسبب ذلك في وقوع حوادث.



## اكتشاف المشاكل وإصلاحها

إذا لاحظت أن التلاجة لا تعمل كما يجب يرجى التأكد أولاً من الأمور التالية، وفي حال استمرار المشكلة كما هي، يرجى فصل الكهرباء والاتصال بالموزع أو مركز الخدمة المعتمد.

## عام

• هل التلاجة مثبتة على أرضية ثابتة ومستوية؟ • هل ثمة فراغ كافي حول التلاجة من كافة الاتجاهات؟ • هل ثمة شيء هزاز أعلى التلاجة؟ • من المعتاد سماع بعض الضوضاء عند تشغيل التلاجة أو إيقافها.	• صدور أصوات غير معتادة عن التلاجة.
• أمر طبيعي ويحدث هذا الصوت نتيجة تدفق المبرد إلى الضاغط مرة أخرى.	• سماع صوت بعد إيقاف ضاغط التبريد.
• أمر طبيعي، ونتيجة لاختلاف ضغط الهواء داخل التلاجة عن ضغط الهواء خارجها.	• سماع صوت بعد فتح باب التلاجة أو إغلاقها.
• أمر طبيعي بسبب تدفق المبرد داخل أنابيب التبريد الداخلية.	• سماع صوت تدفق الهواء أو الماء بعد فتح باب التلاجة.
• صوت عادي ناتج عن تشغيل الصمام ذو الثلاث اتجاهات.	• سماع صوت طقطقة في كل مرة يتم فيها تشغيل التلاجة.
• سماع الصوت أثناء تشغيل المروحة لتدوير الهواء البارد. • هل تم ضبط التلاجة على وضع التجميد السريع؟ • فيوضع التجميد السريع، تعمل المروحة لتدوير الهواء البارد بأقصى سرعة لها مما يصدر عنه صوتاً عالياً. • هل تمت تعبئة الأطعمة بشكل مكدس مغاً أو كانت درجة حرارة الغرفة مرتفعة؟ • في مثل هذه الحالات، تعمل المروحة لتدوير الهواء البارد بأقصى سرعة لها مما يصدر عنه صوتاً عالياً.	• سماع صوت طنان مستمر.
• هل تم ضبط مؤشر التلاجة على وضع التجميد السريع؟ • فيوضع التجميد السريع، يعمل الضاغط بأقصى سرعة له مما يصدر عنه صوتاً عالياً. • هل تمت تعبئة الأطعمة بشكل مكدس مغاً أو كانت درجة حرارة الغرفة مرتفعة؟ • في مثل هذه الحالات، يعمل الضاغط بأقصى سرعة له مما يصدر عنه صوتاً عالياً.	• صوت الضاغط مرتفع بعض الشيء.
• عند توصيل مقيس الكهرباء لأول مرة، يعمل الضاغط لمدة أطول من المعتاد لتبريد الجزء الداخلي للتلاجة للوصول إلى درجات الحرارة التي تم ضبطها. • هل تم ضبط مؤشر التلاجة على وضع التجميد السريع؟ • هل كانت أبواب التلاجة تفتح وتغلق بشكل دائم؟ هل أبواب التلاجة مغلقة تماماً؟ • هل تمت تعبئة الأطعمة مكدسة مغاً، أو كانت درجة حرارة الغرفة مرتفعة؟ • عند وضع العديد من الأطعمة داخل التلاجة في آن واحد، يعمل الضاغط لفترة أطول.	• عمل الضاغط لفترة طويلة.
• قد يتكون التكتيف عندما تكون رطوبة الغرفة مرتفعة أو عادية، قم بمسح التكتيف بقطعة قماش جاف.	• تكوين تكتيف على الجزء الخارجي للتلاجة.
• السخونة أمر طبيعي لأن التلاجة تحتوي على أنبوب تبريد الحرارة لمنع تكون التكتيف.	• سخونة الجزء الخارجي للتلاجة عند اللمس.
• هل التلاجة موصلة بالكهرباء؟ • هل تم ضبط التلاجة على وضع قفل الطفل؟	• توقف عمل أزرار التحكم الموجودة على لوحة التحكم.

تعذر عمل مصباح LED.	• هل التلاجة موصولة بالكهرباء؟
صوت إنذار المنبه.	• أحد أبواب التلاجة أو كلاهما مفتوح جزئيًا. يرجى غلق أبواب التلاجة.

## • التلاجة والمجمد.

التلاجة لا تقوم بالتبريد (والمجمد لا يقوم بالتجميد).	• هل التلاجة موصولة بالكهرباء؟
التلاجة لا تقوم بالتبريد (والمجمد لا يقوم بالتجميد) بالشكل المرضي.	• هل درجة الحرارة التي تم ضبطها مرتفعة جدًا؟ • هل تعرضت التلاجة لأشعة الشمس المباشرة أو مثبتة بالقرب من جهاز تدفئة؟ • هل ثمة مسافة كافية حول التلاجة من كافة الاتجاهات؟ • هل تم تعبئة الأطعمة مكدسة معًا، أو كانت درجة حرارة الغرفة مرتفعة؟ • هل كانت أبواب التلاجة تفتح وتغلق بشكل متكرر؟ • هل أبواب التلاجة مغلقة جميعها؟ • هل ضبطت التلاجة على وضع الإيقاف؟ • عند وضع طعام دافئ داخل التلاجة، ترتفع درجة الحرارة مؤقتًا. • أثناء فصل الشتاء أو عند انخفاض درجة حرارة الغرفة، يبدو وكأن التلاجة لا تبرد الأشياء.
ثمة فرق بين درجة الحرارة المحددة ودرجة الحرارة الفعلية.	• هل ضبطت التلاجة على وضع التجميد السريع؟ • عند وضع طعام دافئ داخل التلاجة، ترتفع درجة الحرارة مؤقتًا.
تجمد الطعام داخل التلاجة.	• هل درجة الحرارة المحددة للتلاجة منخفضة جدًا؟ • هل تم وضع الطعام في الجزء الخلفي للتلاجة؟ المكان القريب من الجدار الخلفي للتلاجة هو أكثر الأماكن برودة لهذا يرجى عدم وضع الطعام لسهولة تجمده في هذا المكان
تكوين التكتيف داخل التلاجة والأدراج.	• تحتفظ التلاجة بدرجة رطوبة عالية للمحافظة على الخضروات والأطعمة الأخرى طازجة. قد تتكون عملية التكتيف مع فتح أبواب التلاجة وغلقها بشكل متكرر أو عند عدم غلقها تمامًا. يرجى مسح التكتيف بقطعة قماش جافة.
صعوبة فتح باب المجمد.	• قد يجعل الفرق بين درجة ضغط الهواء داخل المجمد وخارجه من فتح باب المجمد أمرًا صعبًا في بعض الأحيان. يرجى الانتظار بضع دقائق ثم حاول فتح باب المجمد مرة أخرى.
ثمة رائحة داخل التلاجة.	• هلتمت إحكام قفل أي أطعمة ذات رائحة قوية قبل وضعها في التلاجة؟ ضع الأطعمة داخل وعاء محكم الغلق واحفظهم أو احفظها في رف إيباب ذو الحافظة المغلقة. • قد تظل الرائحة موجودة بأسطح الجزء الداخلي للتلاجة. يرجى مسح الأسطح باستخدام قطعة قماش ناعمة مبللة بماء فاتر

## نصائح لتوفير الطاقة

١. ركب البراد في موقع جاف وجيد التهوية، وكلما خفضت درجة الحرارة المحيطة، كلما تحسنت الكفاءة (يرجى العودة إلى الصفحة ٥ لمعرفة أبعاد البراد والمسافات الفاصلة).
٢. إن جملة الدروج والرفوف هي التي تزيد من حجم البراد وتؤثر في استخدامه بكفاءة.
- انزع قالب وصدوق الثلج والدرج العلوي في الثلجة.
  - تكون كافة الرفوف في الوضعية نفسها عند الشراء.
٣. لا تفرط في ملأ البراد بالمواد كي تتيح الفرصة لدوران الهواء.
٤. افتح الأبواب عند الحاجة فقط ولأقصر مدة زمنية ممكنة.
٥. نظف فتحات التهوية بين الغبينة والأخرى في قاعدة البراد بواسطة المكبسة الكهربائية أو غيرها من الأدوات (انتبه إلى عدم إلحاق الأذى بأنبوب مائع التبريد داخل الغطاء).
٦. عند اختيار وضعية "التجميد الفائق"، يزداد استهلاك الطاقة الكهربائية.

## المواصفات

NR-BS702GKSA/NR-BS702GKAS	NR-BS702GKAE	الطرز
<b>*** *</b>	<b>*** *</b>	التصنيف النجمي للثلجة
٥٨٧ لتر	٥٨٤ لتر	الحجم القائم الفعلي
٥١٠ لتر	٥٢٧ لتر	حجم التخزين الكلي
٣٣٥ لتر	٣٤٤ لتر	حجم التخزين في البراد
١٧٥ لتر	١٨٣ لتر	حجم التخزين في الثلجة
٨٩٥ مم * ٦٩٠ مم * ١٧٨٨ مم	٨٩٥ مم * ٦٩٠ مم * ١٧٨٨ مم	أبعاد المنتج العرض × العمق × الارتفاع
٩٩ كيلوجرام	٩٩ كيلوجرام	الوزن الصافي
٢٢٠-٢٤٠ فولت	٢٢٠-٢٤٠ فولت	الجهد المقنن
٥٠/٦٠ هرتز	٥٠/٦٠ هرتز	التردد المقنن
R600a	R600a	مائع التبريد
السيكلوبنتان	السيكلوبنتان	عامل اللفخ

\* حجم هذا البراد محسوب على أساس المواصفة ISO 10502

