



Flexible and  
convenient solutions  
that work for you.

# Why Panasonic?

We are making every effort to research and develop state-of-the-art technology, production process technology, and quality innovation. We will provide new products that will contribute to value improvement for customers by proposing solutions. Innovative products are created together with the customer.

## Diverse Product Line-up

Panasonic offers various Video Intercom System models to flexibly suit the size of your house and your lifestyle.

### Single House



### Analogue



### IP



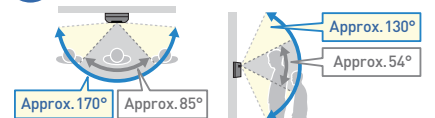
## Stylish Design and Rich Features



### Wireless



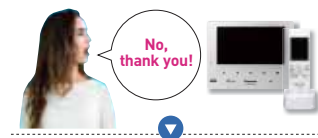
### Wide angle



### Pic. & SD-card rec



### Voice changer



### User-friendly & multilingual UI



### PBX compatible



### Easy installation (non polar, 2-wire)



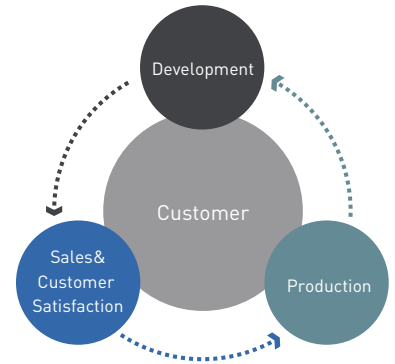
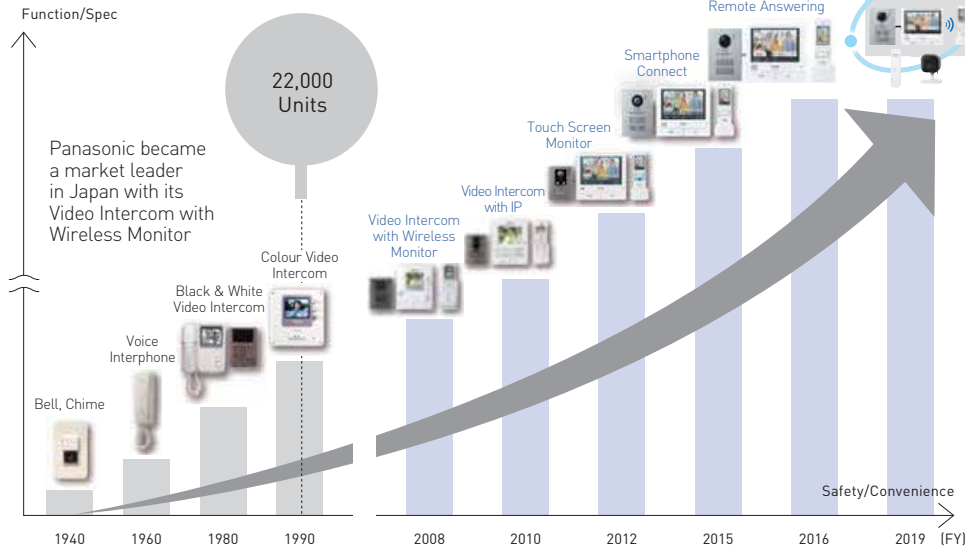
\*Please refer to the Comparison Chart for the specifications of each model.

## History

Proud to be the No. 1 market share holder in Japan

Market Share (Japan)  
**74%**

Source: Panasonic's estimate based on internal research in 2019



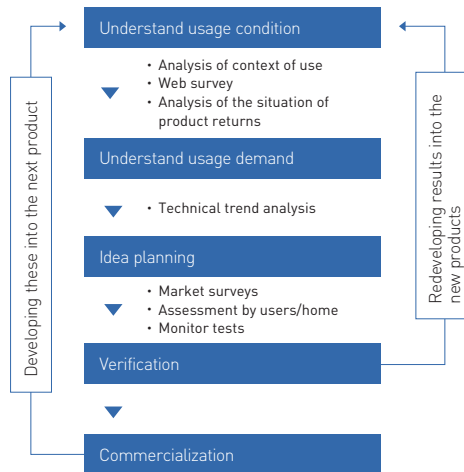
We grasp customer needs, plan products, and then proceed to develop them. Safe, reliable products are manufactured under strict quality control. In addition, customer service and products that truly fit customer needs, earning us high acclaim in world markets.

## Dedicated to the Customer Centric Policy

Everything we do is for our customers



We precisely grasp customer needs by asking for opinions, and then we create ideas in response. Our passion for developing truly great products helps to bring shape to these ideas.



Customer opinions are sought both before and after our products are launched, in an effort to offer the best possible products. Monitor testing is also conducted at the prototype stage. If assessments do not meet expectations, further improvements are made.

## High Quality Products

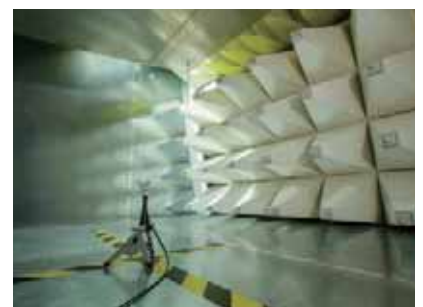
### Low failure rates



### Numerous safety test items



### High-reliability tests



Photos are for illustrative purposes only.

# Product Lineup

<p>Stylish Premium DECT Wireless Series <b>VL-SWD501</b> EX/AZ/BX</p> <p><b>DECT</b></p> <p>For EX For AZ/BX</p> <p>1 x Main Monitor: VL-MWD501 1 x Door Station: VL-V554 1 x Wireless Sub Monitor: VL-WD613</p>	<p>Expandable DECT Wireless Series <b>VL-SWD275</b> AZ/BX/CX/CX1/ML</p> <p><b>DECT</b></p> <p>For AZ only</p> <p>1 x Main Monitor: VL-MWD275 1 x Door Station: VL-V524L 1 x Wireless Sub Monitor: VL-WD619</p>	<p>Expandable DECT Wireless Series <b>VL-SWD273</b> AZ</p> <p><b>DECT</b></p> <p>1 x Main Monitor: VL-MWD273 1 x Door Station: VL-V554 1 x Wireless Sub Monitor: VL-WD613</p>	<p>Expandable DECT Wireless Series <b>VL-SWD272</b> AZ/BX/CX/CX1/ML</p> <p><b>DECT</b></p> <p>1 x Main Monitor: VL-MWD272 1 x Door Station: VL-V522L 1 x Wireless Sub Monitor: VL-WD613</p>	
<p>Expandable 2.4 GHz Wireless Series <b>VL-SW274</b> BX/SX/VN</p> <p><b>2.4 GHz</b></p> <p>1 x Main Monitor: VL-MW274 1 x Door Station: VL-V522L 1 x Wireless Sub Monitor: VL-W617</p>	<p>Smartphone Connect Series <b>VL-SVN511</b>EX</p> <p><b>Smartphone connect</b></p> <p>1 x Main Monitor: VL-MVN511 1 x Door Station: VL-V555</p>	<p>Smartphone Connect Series <b>VL-SVN511</b>AZ</p> <p><b>Smartphone connect</b></p> <p>1 x Main Monitor: VL-MVN511 1 x Door Station: VL-V555</p>	<p>Smartphone Connect Series <b>VL-SVN511</b>BX/CX/CX1/SX/VN</p> <p><b>Smartphone connect</b></p> <p>1 x Main Monitor: VL-MVN511 1 x Door Station: VL-V522L</p>	
<p>Design Series <b>VL-SV75</b> AZ</p> <p><b>Wired</b></p> <p>1 x Main Monitor: VL-MV75 1 x Door Station: VL-V524L</p>	<p>Design Series <b>VL-SV74</b> AZ/BX/CX/CX1/ML/SX/VN</p> <p><b>Wired</b></p> <p>1 x Main Monitor: VL-MV74 1 x Door Station: VL-V524L</p>	<p>Expandable Series <b>VL-SV72</b> AZ</p> <p><b>Wired</b></p> <p>1 x Main Monitor: VL-MV72 1 x Door Station: VL-V522L</p>	<p>Expandable Series <b>VL-SV71</b> AZ/BX/CX/CX1/ML/SX/VN</p> <p><b>Wired</b></p> <p>1 x Main Monitor: VL-MV71 1 x Door Station: VL-V522L</p>	<p>Entry Series <b>VL-SV70</b> BX/CX/CX1/SX/VN</p> <p><b>Wired</b></p> <p>1 x Main Monitor: VL-MV70 1 x Door Station: VL-V522L</p>

## Comparison Chart

		DECT			2.4 GHz	Smartphone connect	Wired		
Model Number		VL-SWD501	VL-SWD275	VL-SWD273 VL-SWD272	VL-SW274	VL-SVN511	VL-SV75 VL-SV74	VL-SV72 VL-SV71	VL-SV70
<b>Maximum Connectable Units</b>	Door Station (Doorphone)	2	2	2	2	2	2	2	1
	Main Monitor / Extension Monitor	1 / —	1 / 3*1	1 / 3*1	1 / 3*1	1 / —	1 / 3	1 / 3	1 / —
	Wireless Sub Monitor	6 (DECT)	6*1 (DECT)	6*1 (DECT)	6*1 (2.4 GHz)	—	—	—	—
	Smartphone, Tablet	—	—	—	—	● (4)*2	—	—	—
<b>Recording</b>	Video / Picture Recording	● / ●	— / ●	— / ●	— / ●	— / ●	— / ●	— / ●	— / ●
	SD Card Recording	●	—	—	—	—	—	—	—
<b>Connectable Devices</b>	Sensor Camera	● (4)	—	—	—	—	—	—	—
	Electric Lock Release	EX model: ● (4)*3 others: ● (2)*4	● (2)	● (2)	● (2)	● (2)	● (2)	● (2)	● (1)
	Wireless Repeater	● (2)	● (2)	● (2)	● (2)	—	—	—	—
	Panasonic PBX	—	●	●	●	●	●	●	—
<b>Door Station</b>	Image sensor	1.0 M pixels	1.3 M pixels	SWD273: 1.0 M pixels SWD272: 0.3 M pixels	0.3 M pixels	0.3 M pixels	1.3 M pixels	0.3 M pixels	0.3 M pixels
	View Angle	H: 170° V: 115°	H: 85° V: 54°	SWD273: 170°, 115° SWD272: 87°, 66°	H: 87° V: 66°	EX, AZ: 170°, 130° others: 87°, 66°	H: 85° V: 54°	H: 87° V: 66°	H: 87° V: 66°
	Night Vision	● (LED lights)	● (LED lights)	● (LED lights)	● (LED lights)	● (LED lights)	● (LED lights)	● (LED lights)	● (LED lights)
<b>Others</b>	Pan & Tilt / Wide zoom	● / ●	— / ●*5	— / ●*5	— / ●*5	EX, AZ: — / ● others: — / ●*5	— / ●*5	— / ●*5	— / ●*5
	User Interface	Touch Panel	Touch sensor key	Button	Button	Button	Touch sensor key	Button	Button
	Intercom Call	●	●	●	●	—	●	●	—
	Voice Changer	●	● (One touch)	●	●	●	●	●	● (One touch)

\*1 A total of up to 6 sub monitors and extension monitors can be registered to the main monitor.

\*2 The main monitor must be on the same home wireless network as the mobile device (with the dedicated app installed).

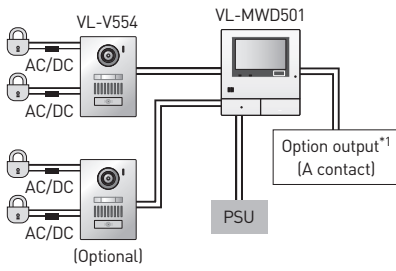
\*3 For EU model, When using 3 or 4 electric locks, an additional door station is required. (For VL-SWD501 users, VL-V554 is required to use 3 or 4 electric locks)

\*4 When using 2 electric locks, an additional door station is required. (For VL-SWD501 users, VL-V554 is required to use 2 electric locks)

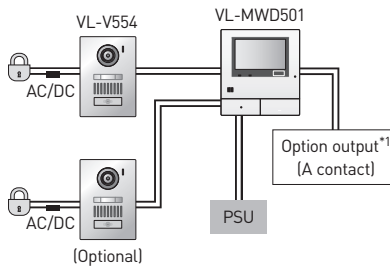
\*5 The wide & zoom functions are not available for the included door station, these functions can be used with VL-V554 or VL-V555.

# Comparison of the wiring

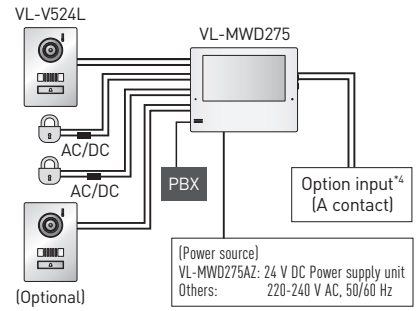
**VL-SWD501EX**



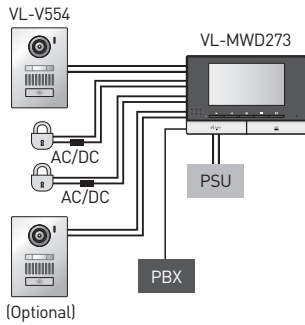
**VL-SWD501AZ/BX**



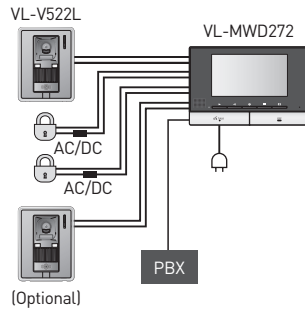
**VL-SWD275 AZ/BX/CX/CX1/ML**



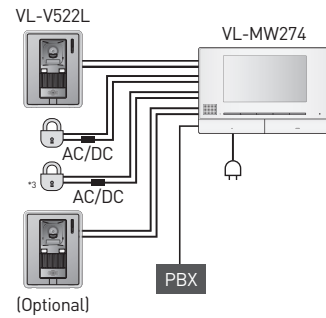
**VL-SWD273 AZ  
VL-SVD273 AZ**



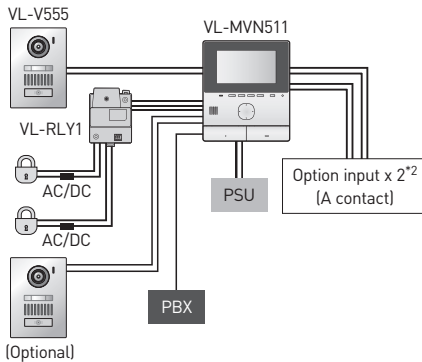
**VL-SWD272 AZ/BX/CX/CX1/ML  
VL-SVD272 AZ/BX/CX/ML**



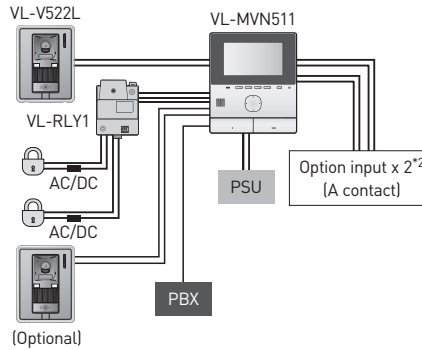
**VL-SW274 BX/SX/VN**



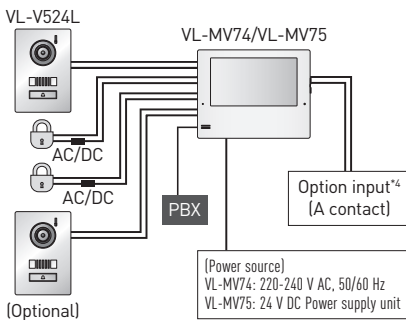
**VL-SVN511 EX/AZ**



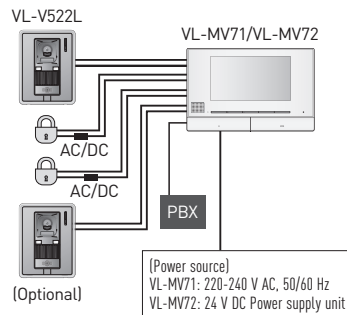
**VL-SVN511 BX/CX/CX1/SX/VN**



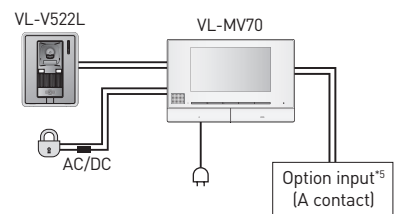
**VL-SV74 AZ/BX/CX/CX1/ML/SX/VN  
VL-SV75 AZ**



**VL-SV71 AZ/BX/CX/CX1/ML/SX/VN  
VL-SV72 AZ**



**VL-SV70 BX/CX/CX1/SX/VN**



\*1 Devices that can be connected to the option output: doorbell light, door chime, rotating light, etc. When using a Lobby Station [VL-V591/V590], the option output is used by the Lobby Station for Electric lock.

\*2 Option inputs can be used to connect 2 sensors.

\*3 When connecting 2 E-locks, an optional door station is required.

\*4 Option input can be used to connect a doorbell. Either Optional Door Station or doorbell can be used.

\*5 Option input can be used to connect a doorbell.



Electric lock











PSU : Power Supply Unit (included with a monitor)

# Compatibility of Main Monitor, Wireless Monitor and Door Station

Please contact your nearest Panasonic dealer for sales information. ○= Connectable ●= Connectable (same as packaged combination) x = Not connectable

Main Monitor (Package No.)			Extension Monitor (Sub monitor)	DECT Wireless			2.4 GHz Wireless	
				Sensor Camera	Sub Monitor	Repeater	Sub Monitor	Repeater
			VL-WD812	VL-WD613/ VL-WD619 2.2-inch	VL-FKD2	VL-W617 1.8-inch	VL-FAN2	
VL-MWD501 <sup>8</sup> (VL-SWD501) <b>DECT</b>	VL-PS240 <sup>9</sup> VL-PS241	5-inch WVGA colour / Touch Panel	x	○ up to 4	● up to 6 VL-WD613	○ up to 2	x	
VL-MWD275 (VL-SWD275) <b>DECT</b>	AZ: VL-PS241 Others: AC	7-inch WVGA colour	○ up to 3 (*6) VL-MWD275	x	● up to 6 (*6) VL-WD619	○ up to 2	x	
VL-MWD273 (VL-SWD273/ SVD273) <b>DECT</b>	VL-PS241	7-inch WVGA colour	○ up to 3 (*6) VL-MWD273	x	VL-SWD273: ● VL-SVD273: ○ up to 6 (*6) VL-WD613	○ up to 2	x	
VL-MWD272 (VL-SWD272/ SVD272) <b>DECT</b>	AC	7-inch WVGA colour	○ up to 3 (*6) VL-MWD272	x	VL-SWD272: ● VL-SVD272: ○ up to 6 (*6) VL-WD613	○ up to 2	x	
VL-MW274 (VL-SW274) <b>2.4 GHz</b>	AC	7-inch WVGA colour	○ up to 3 (*6) VL-MW274	x	x	● up to 6 (*6)	○ up to 2	
VL-MVN511 (VL-SVN511) <b>Smartphone connect</b>	EX: VL-PS240 Others: VL-PS241	5-inch WQVGA colour	x	x	smartphone connect model			
VL-MV75/MV75A (VL-SV75) VL-MV74 (VL-SV74) <b>Wired</b>	VL-MV75: VL-PS241 VL-MV75A: Sold separately VL-MV74: AC	7-inch WVGA colour / Touch Sensor	○ up to 3 VL-MV74/75/75A	x	x	x	x	
VL-MV72/MV72A (VL-SV72) VL-MV71 (VL-SV71) <b>Wired</b>	VL-MV72: VL-PS241 VL-MV72A: Sold separately VL-MV71: AC	7-inch WVGA colour	○ up to 3 VL-MV71/72/72A	x	x	x	x	
VL-MV70 <sup>8</sup> (VL-SV70) <b>Wired</b>	AC	7-inch WVGA colour	x	x	x	x	x	
VL-MV26 <b>Wired</b>	VL-PS240	3.5-inch QVGA colour	x	x	x	x	x	
VL-MV26A <sup>7</sup> <b>Wired</b>	Power supply unit sold separately <sup>7</sup>	3.5-inch QVGA colour	x	x	x	x	x	
VL-MV10 <b>Wired</b>	Bus-powered type	3.5-inch QVGA colour	x	x	x	x	x	
VL-MN1000 <sup>7</sup> <b>Others</b>	PoE or Power supply unit sold separately <sup>7</sup>	7-inch WVGA colour / Touch Screen	○ up to 4 VL-MN1000	x	x	x	x	

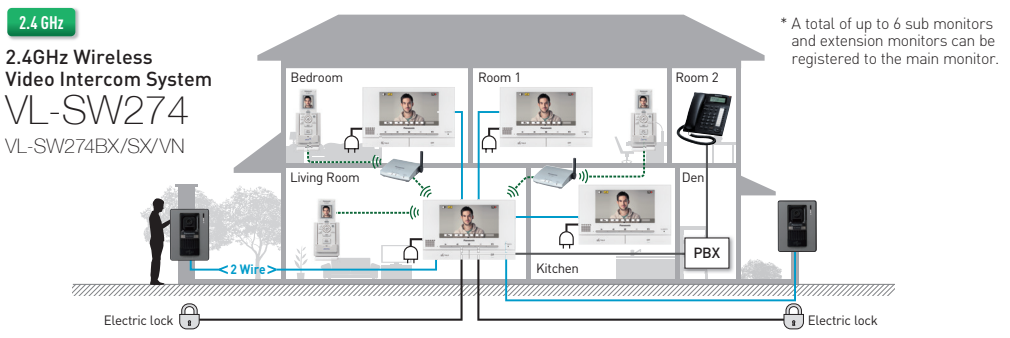
\* 1 Wide/zoom settings and zoom position settings are not available.  
 \* 2 Door station LED light illumination settings and backlight compensation settings are not available.  
 \* 3 Outside monitoring using the lobby station is not available.  
 \* 4 The door stations have different resolutions. The image quality may be lower than that of the door station included in the package.  
 \* 5 Electric Lock Release is not available.  
 \* 6 A total of up to 6 sub monitors and extension monitors can be registered to the main monitor.  
 \* 7 Power supply unit (VL-PS240, VL-PS241) are sold separately.  
 \* 8 Monitor (VL-MVN511) is not sold as a single unit in some area. Monitor (VL-MV70) is not sold as a single unit.  
 \* 9 Power supply unit (VL-PS241) is included with VL-SVN511AZ/BX, VL-PS240 is included with VL-SVN511EX, VL-MVN511BX/EX.

Door Station						Lobby Station			
VL-V554/ VL-V554U 1.0 M pixels  Aluminium	VL-V555 0.3 M pixels  Aluminium	<sup>(*)1</sup> VL-V524L 1.3 M pixels 	<sup>(*)1</sup> VL-V522L 0.3 M pixels 	<sup>(*)1, (*)2</sup> VL-V566 0.3 M pixels 	IP VL-VN1500 1.3 M pixels 	<sup>(*)1, (*)2, (*)3</sup> VL-V591 0.3 M pixels  Stainless	Module type VL-VM Series 1.0 M pixels  Aluminium	Analogue VL-V901 1.0 M pixels  Stainless	IP VL-VN1900 2.0 M pixels  Aluminium
●	○[*4, *5]	×	○[*4, *5]	○[*4, *5]	×	○[*4]	○	×	×
○[*4]	○[*4]	●	○[*4]	×	×	○[*4]	○[*4]	○[*4]	×
●	○[*4]	×	○[*4]	×	×	○[*4]	○	○	×
○	○	×	●	×	×	○	○	○	×
×	○	×	●	×	×	○	○	○	×
○	○	×	●	○	×	○	○	○	×
○[*4]	○[*4]	●	○[*4]	×	×	○[*4]	○[*4]	○[*4]	×
○	○	×	●	×	×	○	○	○	×
○	○	×	●	×	×	×	×	×	×
×	×	×	×	×	×	×	×	○	×
×	×	×	×	×	×	×	×	○	×
×	×	×	×	×	×	×	○	×	×
×	×	×	×	×	○	×	×	×	○

# System Configuration Example

<p><b>DECT</b></p> <p><b>DECT Wireless Video Intercom System VL-SWD501</b> VL-SWD501EX</p> <p>Electric lock</p>	<p><b>System Units</b></p> <table border="1"> <tr> <td><b>Main Monitor Station VL-MWD501</b> </td> <td><b>Wireless Monitor Station VL-WD613</b> Up to 6 </td> </tr> <tr> <td><b>Door Station VL-V554</b> Up to 2 </td> <td><b>DECT Repeater VL-FKD2</b> Up to 2 </td> </tr> <tr> <td><b>Wireless Sensor Camera VL-WD812</b> Up to 4 </td> <td></td> </tr> </table>	<b>Main Monitor Station VL-MWD501</b> 	<b>Wireless Monitor Station VL-WD613</b> Up to 6 	<b>Door Station VL-V554</b> Up to 2 	<b>DECT Repeater VL-FKD2</b> Up to 2 	<b>Wireless Sensor Camera VL-WD812</b> Up to 4 	
<b>Main Monitor Station VL-MWD501</b> 	<b>Wireless Monitor Station VL-WD613</b> Up to 6 						
<b>Door Station VL-V554</b> Up to 2 	<b>DECT Repeater VL-FKD2</b> Up to 2 						
<b>Wireless Sensor Camera VL-WD812</b> Up to 4 							
<p><b>DECT</b></p> <p><b>DECT Wireless Video Intercom System VL-SWD501</b> VL-SWD501AZ/BX</p> <p>Electric lock</p>	<p><b>System Units</b></p> <table border="1"> <tr> <td><b>Main Monitor Station VL-MWD501</b> </td> <td><b>Wireless Monitor Station VL-WD613</b> Up to 6 </td> </tr> <tr> <td><b>Door Station VL-V554</b> Up to 2 </td> <td><b>DECT Repeater VL-FKD2</b> Up to 2 </td> </tr> <tr> <td><b>Wireless Sensor Camera VL-WD812</b> Up to 4 </td> <td></td> </tr> </table>	<b>Main Monitor Station VL-MWD501</b> 	<b>Wireless Monitor Station VL-WD613</b> Up to 6 	<b>Door Station VL-V554</b> Up to 2 	<b>DECT Repeater VL-FKD2</b> Up to 2 	<b>Wireless Sensor Camera VL-WD812</b> Up to 4 	
<b>Main Monitor Station VL-MWD501</b> 	<b>Wireless Monitor Station VL-WD613</b> Up to 6 						
<b>Door Station VL-V554</b> Up to 2 	<b>DECT Repeater VL-FKD2</b> Up to 2 						
<b>Wireless Sensor Camera VL-WD812</b> Up to 4 							
<p><b>DECT</b></p> <p><b>DECT Wireless Video Intercom System VL-SWD275</b> VL-SWD275AZ</p> <p>* A total of up to 6 sub monitors and extension monitors can be registered to the main monitor.</p> <p>Electric lock</p>	<p><b>System Units</b></p> <table border="1"> <tr> <td><b>Main/Extension Monitor VL-MWD275</b> Up to 3* (not including the main monitor) </td> <td><b>Wireless Monitor Station VL-WD619</b> Up to 6* </td> </tr> <tr> <td><b>Door Station VL-V524L</b> Up to 2 </td> <td><b>DECT Repeater VL-FKD2</b> Up to 2 </td> </tr> <tr> <td><b>Panasonic PBX</b> </td> <td>Please consult your dealer when connecting with a PBX. This image shows the KX-NS500.</td> </tr> </table>	<b>Main/Extension Monitor VL-MWD275</b> Up to 3* (not including the main monitor) 	<b>Wireless Monitor Station VL-WD619</b> Up to 6* 	<b>Door Station VL-V524L</b> Up to 2 	<b>DECT Repeater VL-FKD2</b> Up to 2 	<b>Panasonic PBX</b> 	Please consult your dealer when connecting with a PBX. This image shows the KX-NS500.
<b>Main/Extension Monitor VL-MWD275</b> Up to 3* (not including the main monitor) 	<b>Wireless Monitor Station VL-WD619</b> Up to 6* 						
<b>Door Station VL-V524L</b> Up to 2 	<b>DECT Repeater VL-FKD2</b> Up to 2 						
<b>Panasonic PBX</b> 	Please consult your dealer when connecting with a PBX. This image shows the KX-NS500.						
<p><b>DECT</b></p> <p><b>DECT Wireless Video Intercom System VL-SWD275</b> VL-SWD275BX/CX/CX1/ML</p> <p>* A total of up to 6 sub monitors and extension monitors can be registered to the main monitor.</p> <p>Electric lock</p>	<p><b>System Units</b></p> <table border="1"> <tr> <td><b>Main/Extension Monitor VL-MWD275</b> Up to 3* (not including the main monitor) </td> <td><b>Wireless Monitor Station VL-WD619</b> Up to 6* </td> </tr> <tr> <td><b>Door Station VL-V524L</b> Up to 2 </td> <td><b>DECT Repeater VL-FKD2</b> Up to 2 </td> </tr> <tr> <td><b>Panasonic PBX</b> </td> <td>Please consult your dealer when connecting with a PBX. This image shows the KX-NS500.</td> </tr> </table>	<b>Main/Extension Monitor VL-MWD275</b> Up to 3* (not including the main monitor) 	<b>Wireless Monitor Station VL-WD619</b> Up to 6* 	<b>Door Station VL-V524L</b> Up to 2 	<b>DECT Repeater VL-FKD2</b> Up to 2 	<b>Panasonic PBX</b> 	Please consult your dealer when connecting with a PBX. This image shows the KX-NS500.
<b>Main/Extension Monitor VL-MWD275</b> Up to 3* (not including the main monitor) 	<b>Wireless Monitor Station VL-WD619</b> Up to 6* 						
<b>Door Station VL-V524L</b> Up to 2 	<b>DECT Repeater VL-FKD2</b> Up to 2 						
<b>Panasonic PBX</b> 	Please consult your dealer when connecting with a PBX. This image shows the KX-NS500.						
<p><b>DECT</b></p> <p><b>DECT Wireless Video Intercom System VL-SWD273</b> VL-SWD273AZ VL-SVD273AZ</p> <p>* A total of up to 6 sub monitors and extension monitors can be registered to the main monitor.</p> <p>Electric lock</p>	<p><b>System Units</b></p> <table border="1"> <tr> <td><b>Main/Extension Monitor VL-MWD273</b> Up to 3* (not including the main monitor) </td> <td><b>Wireless Monitor Station VL-WD613</b> Up to 6* </td> </tr> <tr> <td><b>Door Station VL-V554</b> Up to 2 </td> <td><b>DECT Repeater VL-FKD2</b> Up to 2 </td> </tr> <tr> <td><b>Panasonic PBX</b> </td> <td>Please consult your dealer when connecting with a PBX. This image shows the KX-NS500.</td> </tr> </table>	<b>Main/Extension Monitor VL-MWD273</b> Up to 3* (not including the main monitor) 	<b>Wireless Monitor Station VL-WD613</b> Up to 6* 	<b>Door Station VL-V554</b> Up to 2 	<b>DECT Repeater VL-FKD2</b> Up to 2 	<b>Panasonic PBX</b> 	Please consult your dealer when connecting with a PBX. This image shows the KX-NS500.
<b>Main/Extension Monitor VL-MWD273</b> Up to 3* (not including the main monitor) 	<b>Wireless Monitor Station VL-WD613</b> Up to 6* 						
<b>Door Station VL-V554</b> Up to 2 	<b>DECT Repeater VL-FKD2</b> Up to 2 						
<b>Panasonic PBX</b> 	Please consult your dealer when connecting with a PBX. This image shows the KX-NS500.						
<p><b>DECT</b></p> <p><b>DECT Wireless Video Intercom System VL-SWD272</b> VL-SWD272AZ/BX/CX/CX1/ML VL-SVD272AZ/BX/CX/ML</p> <p>* A total of up to 6 sub monitors and extension monitors can be registered to the main monitor.</p> <p>Electric lock</p>	<p><b>System Units</b></p> <table border="1"> <tr> <td><b>Main/Extension Monitor VL-MWD272</b> Up to 3* (not including the main monitor) </td> <td><b>Wireless Monitor Station VL-WD613</b> Up to 6* </td> </tr> <tr> <td><b>Door Station VL-V522L</b> Up to 2 </td> <td><b>DECT Repeater VL-FKD2</b> Up to 2 </td> </tr> <tr> <td><b>Panasonic PBX</b> </td> <td>Please consult your dealer when connecting with a PBX. This image shows the KX-NS500.</td> </tr> </table>	<b>Main/Extension Monitor VL-MWD272</b> Up to 3* (not including the main monitor) 	<b>Wireless Monitor Station VL-WD613</b> Up to 6* 	<b>Door Station VL-V522L</b> Up to 2 	<b>DECT Repeater VL-FKD2</b> Up to 2 	<b>Panasonic PBX</b> 	Please consult your dealer when connecting with a PBX. This image shows the KX-NS500.
<b>Main/Extension Monitor VL-MWD272</b> Up to 3* (not including the main monitor) 	<b>Wireless Monitor Station VL-WD613</b> Up to 6* 						
<b>Door Station VL-V522L</b> Up to 2 	<b>DECT Repeater VL-FKD2</b> Up to 2 						
<b>Panasonic PBX</b> 	Please consult your dealer when connecting with a PBX. This image shows the KX-NS500.						





**System Units**

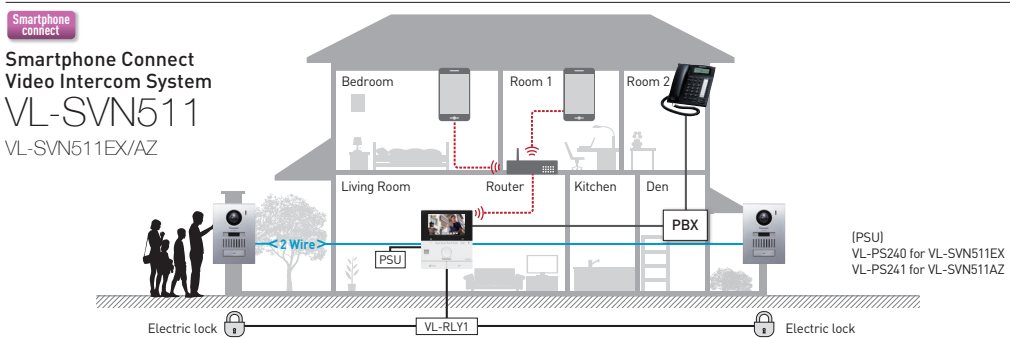
**Main/Extension Monitor VL-MW274**  
Up to 3  
(not including the main monitor)

**Wireless Monitor Station VL-W617**  
Up to 6

**Door Station VL-V522L**  
Up to 2

**Repeater for Wireless Monitor VL-FAN2**  
Up to 2

**Panasonic PBX**  
Please consult your dealer when connecting with a PBX. This image shows the KX-NS500.



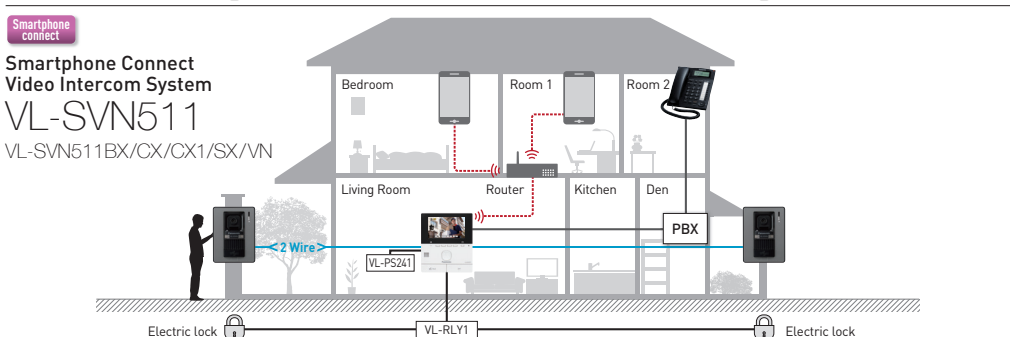
**System Units**

**Main Monitor Station VL-MVN511**

**Door Station VL-V555**  
Up to 2

**Mobile Devices**  
Up to 4

**Panasonic PBX**  
This image shows the KX-NS500. Please consult your dealer when connecting with a PBX.



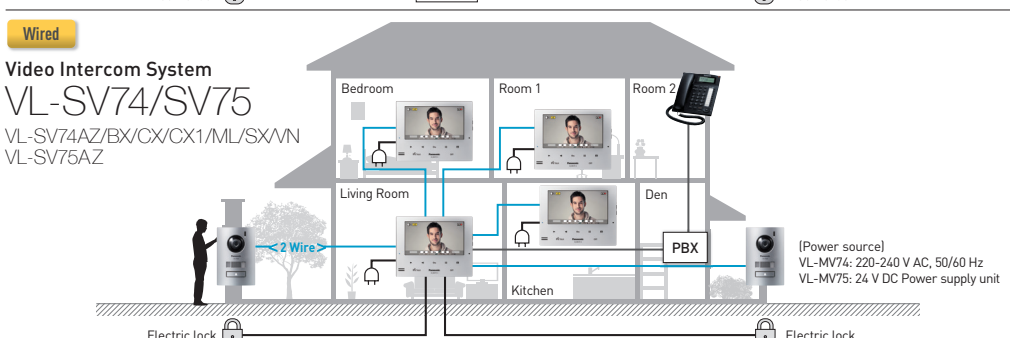
**System Units**

**Main Monitor Station VL-MVN511**

**Door Station VL-V522L**  
Up to 2

**Mobile Devices**  
Up to 4

**Panasonic PBX**  
This image shows the KX-NS500. Please consult your dealer when connecting with a PBX.

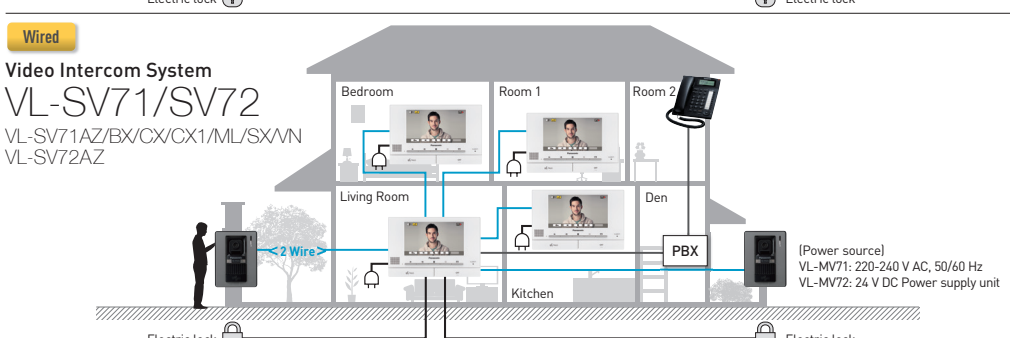


**System Units**

**Main/Extension Monitor VL-MV74/MV75**  
Up to 3  
\*not including the main monitor

**Door Station VL-V524L**  
Up to 2

**Panasonic PBX**  
Please consult your dealer when connecting with a PBX. This image shows the KX-NS500.

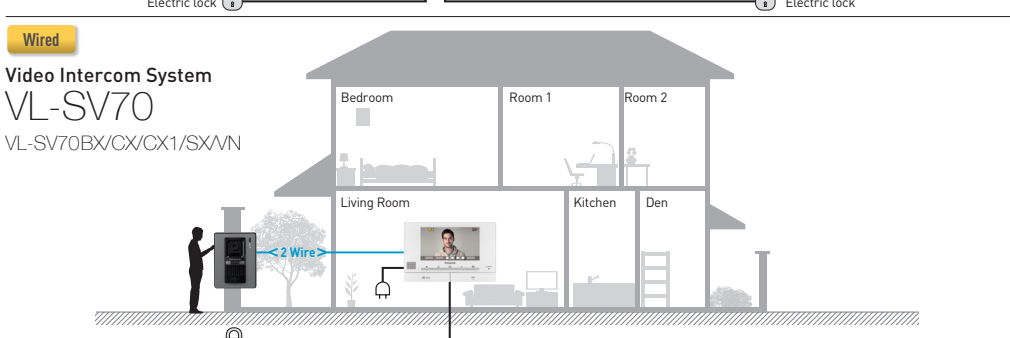


**System Units**

**Main/Extension Monitor VL-MV71/MV72**  
Up to 3  
\*not including the main monitor

**Door Station VL-V522L**  
Up to 2

**Panasonic PBX**  
Please consult your dealer when connecting with a PBX. This image shows the KX-NS500.



**System Units**

**Main Monitor Station VL-MV70**

**Door Station VL-V522L**  
Up to 1

# Stylish Premium DECT Wireless Series

Wireless Video Intercom System

## VL-SWD501<sup>EX/AZ/BX</sup>



**Door Station**  
VL-V554

**Main Monitor Station**  
VL-MWD501

**Wireless Monitor Station**  
VL-WD613

\*1 Easy installation by simply replacing existing doorbell unit Nonpolar 2-wire system.

(Power source)  
VL-MWD501: 24 V DC Power supply unit (supplied)

### DECT Wireless

The wireless design means that there is no troublesome wiring required when adding on to the system as well. You can add on up to 6 sub monitors and 4 DECT Wireless Sensor Cameras for large homes, and easily confirm visitors from a monitor in each room.



### SD Card Recording

You can automatically record video images of visitors while you're away from home. It will record up to 3,000 visitors (30 seconds per visitor). And you can save and play the images on a PC that has an SD card slot.



### Touch Panel

The main monitor has a 5-inch wide screen that clearly shows each visitor's face. If it is difficult to see, simply touch the screen to activate an approximate 2x zoom horizontally and vertically. This makes it easy for everyone to see, and provides an easy-to-use operating screen.



### Other Features

- Electric Lock Release Support : AC12 V-1 A / DC12 V-1 A
- Wide-Angle Camera (Horizontally:170°, Vertically:115°)
- Wireless Sensor Cameras Connectable
- Night Vision (warm white coloured LED lights)
- Voice Changer
- Intercom Call (between main monitor and sub monitor)

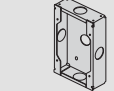
### Options

Door Station (Doorphone)  
VL-V554 (CMOS 1.0 M pixels)  
VL-V555<sup>2,3</sup> (CMOS 0.3 M pixels)

Up to 2



Flush Mount Box  
for VL-V554/V555  
VL-MB554



[VL-MB554 included with VL-V554U]

Door Station (Doorphone)  
VL-V522L<sup>2,3,4</sup>  
(CMOS 0.3 M pixels)

Up to 2



(Surface mount)

Wireless Monitor Station  
(Sub Monitor)  
VL-WD613

Up to 6



Wireless Sensor Camera  
VL-WD812

Up to 4



DECT Wireless Repeater  
VL-FKD2

Up to 2



Lobby Station  
Up to 20 Rooms  
VL-V591<sup>4</sup>  
Up to 32 Rooms  
VL-VM series<sup>4</sup>

### Related Product

Main Monitor Station  
(Main Monitor)  
VL-MWD501<sup>4</sup>



\*2 Electric Lock Release is not available. The door stations have different resolutions. The image quality may be lower than that of the door station included in the package.

\*3 The door stations have different resolutions. The image quality may be lower than that of the door station included in the package. \*4 These products may not be available in some countries.

# Expandable DECT Wireless Series

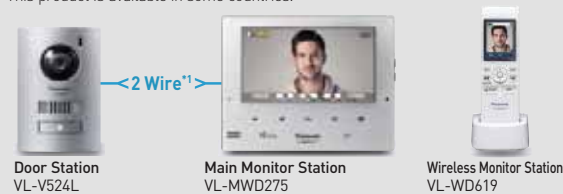
Wireless Video Intercom System

## VL-SWD275 AZ/BX/CX/CX1/ML

(Main Monitor: White)

VL-SWD275<sup>AZS</sup> (Main Monitor: Silver)

This product is available in some countries.



Door Station  
VL-V524L

Up to  
2



Main Monitor Station  
VL-MWD275

7-inch  
Wide Screen

Up to  
3\*2  
(not including the main monitor)



Up to  
6\*2

Wireless Monitor Station  
VL-WD619

\*1 Easy installation by simply replacing existing doorbell unit Nonpolar 2-wire system.  
\*2 A total of up to 6 sub monitors and extension monitors can be registered to the main monitor.

(Power source)  
VL-MWD275AZ: 24 V DC Power supply unit (supplied)  
Other regions: 220-240 V AC, 50/60 Hz



### Wireless Handset / Highly Expandable (DECT)

You can use the wireless monitor to check visitors and respond promptly from the living room, kitchen and elsewhere in the home even while you are doing something else. Up to 6 wireless monitors can be connected, and the max wireless range is 100 m with no obstacles. You can also add up to 2 DECT repeaters to expand the range.



### Sophisticated Design

A fully flat thin monitor with touch sensor keys. The doorphone has a gently curved, metallic-looking design that matches the home exterior. Also, the doorphone can be embedded in a wall by using the optional mount box.

(Door Station)



21.5 mm

(Monitor Station)



25 mm



### High Image Quality

The 1.3-megapixel image sensor on the doorphone takes visitor images at HD image resolution.



Pictures are simulated.

### Other Features

- Electric Lock Release Support : AC30 V-1 A / DC24 V-1 A
- One Touch Voice Changer
- Picture Recording (Up to 50 visitors (up to 4 still images per visitor) These can also be played from the wireless monitor.)
- Intercom Call (between the main monitor, sub monitor and extension monitor)
- Night Vision (LED lights), Illuminated "bell" indicator
- Easy-to-use function keys (E-lock release, Volume adjust)

### Options

Extension Monitor  
VL-MWD275  
(White)  
(Silver)<sup>\*3</sup>  
Up to 3



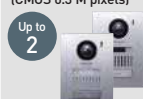
Door Station (Doorphone)  
VL-V524L  
(CMOS 1.3 M pixels)  
Up to 2



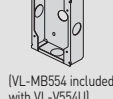
Flush Mount Box for VL-V524L  
VL-MB524



Door Station (Doorphone)  
VL-V554<sup>\*4</sup>  
(CMOS 1.0 M pixels)  
VL-V555<sup>\*4</sup>  
(CMOS 0.3 M pixels)  
Up to 2



Flush Mount Box for VL-V554/V555  
VL-MB554



Door Station (Doorphone)  
VL-V522L<sup>\*4</sup>  
(CMOS 0.3 M pixels)  
Up to 2



Wireless Monitor Station (Sub Monitor)  
VL-WD619  
Up to 6



DECT Wireless Repeater  
VL-FKD2  
Up to 2



Lobby Station  
Up to 20 Rooms  
VL-V591  
Up to 32 Rooms  
VL-VM series<sup>\*3</sup>  
Up to 2,240 Rooms  
VL-V901



PBX  
Connectable PBX Model Numbers  
KX-TDA30/100/100D/200/600 series  
KX-TDE100/200/600 series  
KX-NS300/500/700/1000 series



Please consult your dealer when connecting with a PBX.

\*3 These products may not be available in some countries. \*4 The door stations have different resolutions. The image quality may be lower than that of the door station included in the package.

# Expandable DECT Wireless Series

## Wireless Video Intercom System

# VL-SWD273<sup>AZ</sup>

VL-SVD273 / VL-SVD272: Wireless monitor sold separately

### Wireless Video Intercom System

#### VL-SWD272<sup>AZ</sup>



Door Station  
VL-V522L

<2 Wire\*1>



Main Monitor Station  
VL-MWD272



Wireless Monitor Station  
VL-WD613



Door Station  
VL-V554

Up to  
2

<2 Wire\*1>



Main Monitor Station  
VL-MWD273

7-inch  
Wide Screen

Up to  
3\*2

(not including the  
main monitor)



Wireless Monitor Station  
VL-WD613

Up to  
6\*2

\*1 Easy installation by simply replacing existing doorbell unit Nonpolar 2-wire system.  
\*2 A total of up to 6 sub monitors and extension monitors can be registered to the main monitor.

(Power source)  
VL-MWD273: 24 V DC Power supply unit (supplied)  
VL-MWD272: 220-240 V AC, 50/60 Hz

## Highly Expandable

Up to 6 additional monitors can be connected to the main monitor using a combination of 7-inch wired monitors and 2.2-inch wireless monitors (However, the maximum possible number of 7-inch wired monitors is 3). In addition, PBX connectivity is also supported.



## 7-inch Screen

The main monitor and extension monitor have a 7-inch wide screen that offers easy viewing of wide vertical and horizontal views.



## Wireless Handset (DECT)

You can use the wireless monitor to check visitors and respond promptly from the living room, kitchen and elsewhere in the home even while you are doing something else. Up to 6 wireless monitors can be connected, and the max wireless range is 100 m with no obstacles. You can also add up to 2 DECT repeaters to expand the range.



### Other Features

- Electric Lock Release Support : AC30 V-1 A / DC24 V-1 A
- Picture Recording (Up to 50 visitors (up to 8 still images per visitor))
- Night Vision (white coloured LED lights)
- Voice Changer
- Intercom Call (between the main monitor, sub monitor and extension monitor)

### Options

Extension Monitor\*3  
VL-MWD273  
VL-MWD272

Up to  
3



Door Station (Doorphone)  
VL-V554 (CMOS 1.0 M pixels)  
VL-V555\*4 (CMOS 0.3 M pixels)

Up to  
2



Flush Mount Box  
for VL-V554/V555  
VL-MB554

[VL-MB554 included  
with VL-V554U]



Door Station (Doorphone)  
VL-V522L\*4  
(CMOS 0.3 M pixels)

Up to  
2



[Surface mount]

Wireless Monitor Station (Sub Monitor)  
VL-WD613

Up to  
6



DECT Wireless Repeater  
VL-FKD2

Up to  
2



Lobby Station  
Up to 20 Rooms  
VL-V591  
Up to 32 Rooms  
VL-VM series  
Up to 2,240 Rooms  
VL-V901

PBX  
Connectable PBX Model Numbers

KX-TDA30/100/100D/200/600 series  
KX-TDE100/200/600 series  
KX-NS300/500/700/1000 series

Please consult your dealer when connecting with a PBX.  
This image shows the KX-NS500.

\*3 (Power source) VL-MWD272: 220-240 V AC, 50/60 Hz  
VL-MWD273: 24 V DC Power supply unit (supplied)

\*4 The door stations have different resolutions. The image quality may be lower than that of the door station included in the package.

# Expandable DECT Wireless Series

Wireless Video Intercom System

## VL-SWD272 AZ/BX/CX/CX1/ML

(Main Monitor: Black)

VL-SVD272: Wireless monitor sold separately



**Door Station**  
VL-V522L

Up to 2

< 2 Wire\*1 >



**Main Monitor Station**  
VL-MWD272

7-inch  
Wide Screen

Up to 3\*2

(not including the main monitor)



Up to 6\*2

**Wireless Monitor Station**  
VL-WD613

(Power source)

VL-MWD272: 220-240 V AC, 50/60 Hz

VL-MWD273: 24 V DC Power supply unit (supplied)

\*1 Easy installation by simply replacing existing doorbell unit Nonpolar 2-wire system.

\*2 A total of up to 6 sub monitors and extension monitors can be registered to the main monitor.



### Highly Expandable

Up to 6 additional monitors can be connected to the main monitor using a combination of 7-inch wired monitors and 2.2-inch wireless monitors (However, the maximum possible number of 7-inch wired monitors is 3). In addition, PBX connectivity is also supported.



Up to 6

Total Up to 6

Up to 3



### 7-inch Screen

The main monitor and extension monitor have a 7-inch wide screen that offers easy viewing of wide vertical and horizontal views.



### Wireless Handset (DECT)

You can use the wireless monitor to check visitors and respond promptly from the living room, kitchen and elsewhere in the home even while you are doing something else. Up to 6 wireless monitors can be connected, and the max wireless range is 100 m with no obstacles. You can also add up to 2 DECT repeaters to expand the range.



### Other Features

- Electric Lock Release Support : AC30 V-1 A / DC24 V-1 A
- Picture Recording (Up to 50 visitors (up to 8 still images per visitor))
- Night Vision (white coloured LED lights)
- Voice Changer
- Intercom Call (between the main monitor, sub monitor and extension monitor)

### Options

Extension Monitor VL-MWD272 (Black) (White)\*3

Up to 3



Door Station (Doorphone) VL-V522L (CMOS 0.3 M pixels)

Up to 2



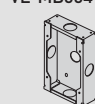
(Surface mount)

Door Station (Doorphone) VL-V554 (CMOS 1.0 M pixels) VL-V555 (CMOS 0.3 M pixels)

Up to 2



Flush Mount Box for VL-V554/V555 VL-MB554



[VL-MB554 included with VL-V554U]

Wireless Monitor Station (Sub Monitor) VL-WD613

Up to 6



DECT Wireless Repeater VL-FKD2

Up to 2



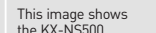
Lobby Station Up to 20 Rooms VL-V591 Up to 32 Rooms VL-VM series\*3 Up to 2,240 Rooms VL-V901

**PBX** Connectable PBX Model Numbers

KX-TDA30/100/100D/200/600 series

KX-TDE100/200/600 series

KX-NS300/500/700/1000 series



This image shows the KX-NS500.

Please consult your dealer when connecting with a PBX.

\*3 These products may not be available in some countries. (Power source) VL-MWD272: 220-240 V AC, 50/60 Hz VL-MWD273: 24 V DC Power supply unit (supplied)

# Expandable 2.4 GHz Wireless Series

Wireless Video Intercom System

## VL-SW274<sup>VN</sup>

(Main Monitor: White)

Up to 2

7-inch Wide Screen

Up to 3\*2 (not including the main monitor)

Up to 6\*2

< 2 Wire\*1 >

**Door Station**  
VL-V522L

**Main Monitor Station**  
VL-MW274

**Wireless Monitor Station**  
VL-W617

\*1 Easy installation by simply replacing existing doorbell unit Nonpolar 2-wire system.  
\*2 A total of up to 6 sub monitors and extension monitors can be registered to the main monitor.

[Power source]  
VL-MW274: 220-240 V AC, 50/60 Hz

### Highly Expandable

Up to 6 additional monitors can be connected to the main monitor using a combination of 7-inch wired monitors and 1.8-inch wireless monitors (However, the maximum possible number of 7-inch wired monitors is 3). In addition, PBX connectivity is also supported.

Total Up to 6

Up to 6

Up to 3

### 7-inch Screen

The main monitor and extension monitor have a 7-inch wide screen that offers easy viewing of wide vertical and horizontal views.



### Wireless Handset (2.4 GHz)

Check visitors and respond promptly from everywhere in the home and even while you are doing something else, by wireless handset.



### Other Features

- Electric Lock Release Support : AC30 V-1 A / DC24 V-1 A
- Picture Recording (Up to 50 visitors (up to 8 still images per visitor))
- Night Vision (white coloured LED lights)
- Voice Changer
- Intercom Call (between the main monitor, sub monitor and extension monitor)

### Options

Extension Monitor  
VL-MW274  
(Black)  
(White)

Up to 3



Door Station (Doorphone)  
VL-V522L  
(CMOS 0.3 M pixels)

Up to 2



Door Station (Doorphone)  
VL-V555  
(CMOS 0.3 M pixels)

Up to 2



Flush Mount Box for VL-V555  
VL-MB554



Wireless Monitor Station (Sub Monitor)  
VL-W617

Up to 6



2.4GHz Wireless Repeater  
VL-FAN2

Up to 2



Lobby Station  
Up to 20 Rooms  
VL-V591  
Up to 2,240 Rooms  
VL-V901

**PBX**  
Connectable PBX Model Numbers  
KX-TDA30/100/100D/200/600 series  
KX-TDE100/200/600 series  
KX-NS300/500/700/1000 series



This image shows the KX-NS500.

Please consult your dealer when connecting with a PBX.

2.4 GHz

## Expandable 2.4 GHz Wireless Series

Wireless Video Intercom System

# VL-SW274<sup>BX/SX</sup>

(Main Monitor: Black)

VL-SW274<sup>SX-W</sup> (Main Monitor: White)

This product may not be available in some countries.



Door Station  
VL-V522L



Main Monitor Station  
VL-MW274 W



Wireless Monitor Station  
VL-W617

< 2 Wire\*1 >

Up to  
2



Door Station  
VL-V522L

< 2 Wire\*1 >



Main Monitor Station  
VL-MW274

7-inch  
Wide Screen

Up to  
3\*2

(not including the  
main monitor)



Up to  
6\*2

Wireless Monitor Station  
VL-W617

\*1 Easy installation by simply replacing existing doorbell unit Nonpolar 2-wire system.

\*2 A total of up to 6 sub monitors and extension monitors can be registered to the main monitor.

(Power source)

VL-MW274: 220-240 V AC, 50/60 Hz



### Highly Expandable

Up to 6 additional monitors can be connected to the main monitor using a combination of 7-inch wired monitors and 1.8-inch wireless monitors (However, the maximum possible number of 7-inch wired monitors is 3). In addition, PBX connectivity is also supported.

Up to  
6

Total  
Up to  
6

Up to  
3



### 7-inch Screen

The main monitor and extension monitor have a 7-inch wide screen that offers easy viewing of wide vertical and horizontal views.



### Wireless Handset

(2.4 GHz)

Check visitors and respond promptly from everywhere in the home and even while you are doing something else, by wireless handset.



### Other Features

- Electric Lock Release Support : AC30 V-1 A / DC24 V-1 A
- Picture Recording (Up to 50 visitors (up to 8 still images per visitor))
- Night Vision (white coloured LED lights)
- Voice Changer
- Intercom Call (between the main monitor, sub monitor and extension monitor)

### Options

Extension Monitor  
VL-MW274  
(Black)  
(White)<sup>\*3</sup>

Up to  
3



Door Station  
(Doorphone)  
VL-V522L  
(CMOS 0.3 M pixels)

Up to  
2



(Surface mount)

Door Station  
(Doorphone)  
VL-V555  
(CMOS 0.3 M pixels)

Up to  
2



Flush Mount Box  
for VL-V555  
VL-MB554



Wireless Monitor  
Station (Sub Monitor)  
VL-W617

Up to  
6



2.4GHz Wireless  
Repeater  
VL-FAN2

Up to  
2



Lobby Station  
Up to 20 Rooms  
VL-V591  
Up to 32 Rooms  
VL-VM series<sup>\*3</sup>  
Up to 2,240 Rooms  
VL-V901

PBX  
Connectable PBX Model Numbers  
KX-TDA30/100/100D/200/600 series  
KX-TDE100/200/600 series  
KX-NS300/500/700/1000 series



This image shows  
the KX-NS500.

Please consult  
your dealer  
when connecting  
with a PBX.

\*3 These products may not be available in some countries.

# Smartphone Connect Series

Video Intercom System

## VL-SVN511<sup>AZ/EX</sup>

5-inch  
Wide Screen



Door Station  
VL-V555

Up to  
2

< 2 Wire\* >



Main Monitor Station  
VL-MVN511

[Power source]  
VL-MVN511: 24 V DC Power supply unit (supplied)

\* Easy installation by simply replacing existing doorbell unit Nonpolar 2-wire system.



### Smartphone Connect<sup>\*1</sup>

You can use your smartphone or tablet as a sub monitor to respond to visitors and unlock electric locks no matter where you are in the home. You can also monitor door station images when you want to check the door entrance.



Answer Visitors and  
Unlock the Electric Locks

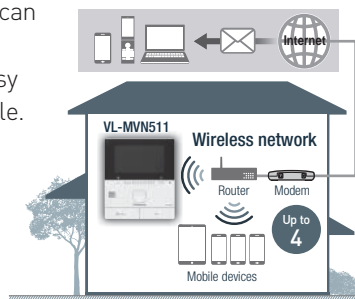


Monitoring



### Wireless Network Connection

In addition to smartphones/tablets, the main monitor can also wirelessly connect to the wireless router for easy connections without a cable.



### E-mail Notification<sup>\*2</sup>

The main monitor can send e-mail with a time stamp and image of visitors to e-mail addresses registered in advance, enabling you to check who has visited when you are outside the house (even when you are overseas).



### Other Features

- Free application\*  
Compatible mobile devices (As of October, 2019)  
- iPhone and iPad (iOS 9.0 and later)  
- Android™ devices (Android 4.0 and later)
- Electric Lock Release Support: VL-RLY1 (12 V AC/DC, less than 1 A)
- Picture Recording (Up to 50 visitors (up to 8 still images per visitor))
- Night Vision (white coloured LED lights)
- Voice Changer

\* Some mobile devices may not be compatible.  
\* For the latest information about the app and compatible devices, visit the following website.



<http://panasonic.net/pcc/support/intercom/smartphone/>

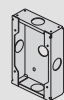
### Options

Door Station (Doorphone)  
VL-V554  
(CMOS 1.0 M pixels)  
VL-V555  
(CMOS 0.3 M pixels)

Up to  
2



Flush Mount Box  
for VL-V554/V555  
VL-MB554



[VL-MB554 included with  
VL-V554U]

Door Station (Doorphone)  
VL-V522L  
(CMOS 0.3 M pixels)

Up to  
2



[Surface mount]

Lobby Station  
Up to 20 Rooms  
VL-V591  
Up to 32 Rooms  
VL-VM series<sup>\*3</sup>  
Up to 2,240 Rooms  
VL-V901

### PBX



This image shows  
the KX-NS500.

### Connectable PBX Model Numbers

KX-TDA30/100/100D/200/600 series  
KX-TDE100/200/600 series  
KX-NS300/500/700/1000 series

Please consult your dealer when  
connecting with a PBX.

\*1 The main monitor must be on the same home wireless network as the smartphone/tablet (with the dedicated app installed). It is also necessary to run the dedicated app in order to receive visitor's calls on a smartphone/tablet.  
\*2 To use this function, a main monitor with e-mail sender information registered must be connected to the internet. E-mail may not be able to be sent, depending on the condition of the network.  
\*3 These products may not be available in some countries.

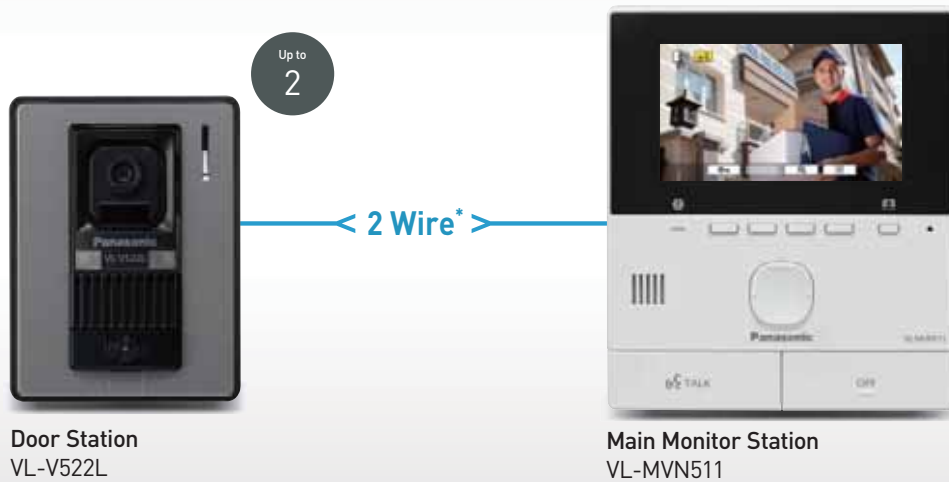


# Smartphone Connect Series

Video Intercom System

## VL-SVN511<sup>BX/CX/CX1/SX/VN</sup>

5-inch  
Wide Screen



**Door Station**  
VL-V522L

**Main Monitor Station**  
VL-MVN511

\* Easy installation by simply replacing existing doorbell unit Nonpolar 2-wire system.

[Power source]  
VL-MVN511: 24 V DC Power supply unit (supplied)

### Smartphone Connect<sup>\*1</sup>

You can use your smartphone or tablet as a sub monitor to respond to visitors and unlock electric locks no matter where you are in the home. You can also monitor door station images when you want to check the door entrance.



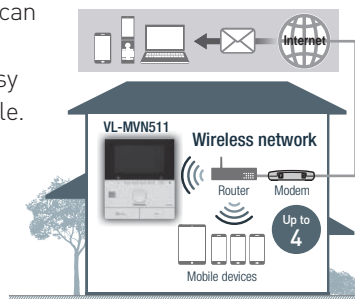
Answer Visitors and  
Unlock the Electric Locks



Monitoring

### Wireless Network Connection

In addition to smartphones/ tablets, the main monitor can also wirelessly connect to the wireless router for easy connections without a cable.



### E-mail Notification<sup>\*2</sup>

The main monitor can send e-mail with a time stamp and image of visitors to e-mail addresses registered in advance, enabling you to check who has visited when you are outside the house (even when you are overseas).



### Other Features

- Free application\*  
Compatible mobile devices (As of October, 2019)  
- iPhone and iPad (iOS 9.0 and later)  
- Android™ devices (Android 4.0 and later)
- Electric Lock Release Support: VL-RLY1 (12 V AC/DC, less than 1 A)
- Picture Recording (Up to 50 visitors (up to 8 still images per visitor))
- Night Vision (white coloured LED lights)
- Voice Changer

\* Some mobile devices may not be compatible.  
\* For the latest information about the app and compatible devices, visit the following website.



<http://panasonic.net/pcc/support/intercom/smartphone/>

### Options

Door Station (Doorphone)  
VL-V522L  
(CMOS 0.3 M pixels)

Up to  
2



[Surface mount]

Door Station (Doorphone)  
VL-V554  
(CMOS 1.0 M pixels)  
VL-V555  
(CMOS 0.3 M pixels)

Up to  
2



Flush Mount Box  
for VL-V554/V555  
VL-MB554



[VL-MB554 included with  
VL-V554U]

Lobby Station  
Up to 20 Rooms  
VL-V591  
Up to 32 Rooms  
VL-VM series<sup>\*3</sup>  
Up to 2,240 Rooms  
VL-V901

PBX



This image shows  
the KX-NS500.

Connectable PBX Model Numbers  
KX-TDA30/100/100D/200/600 series  
KX-TDE100/200/600 series  
KX-NS300/500/700/1000 series

Please consult your dealer when  
connecting with a PBX.

\*1 The main monitor must be on the same home wireless network as the smartphone/tablet (with the dedicated app installed). It is also necessary to run the dedicated app in order to receive visitor's calls on a smartphone/tablet.  
\*2 To use this function, a main monitor with e-mail sender information registered must be connected to the internet. E-mail may not be able to be sent, depending on the condition of the network.  
\*3 These products may not be available in some countries.

Wired

## Expandable Series

Video Intercom System

# VL-SV75<sup>AZ</sup>

(Main Monitor: Mirror design)

### Colour Lineup



VL-SV75  
(Main Monitor: White)



VL-SV75  
(Main Monitor: Silver)



Door Station  
VL-V524L

Up to  
2

< 2 Wire\*1 >



Main Monitor Station  
VL-MV75 M

Up to  
3

(not including the  
main monitor)

7-inch  
Wide Screen



The pictures have been graphically illustrated to simulate the mirror effect. The operation screen is displayed on the LCD during operation.

(Power source)

VL-MV75AZ: 24 V DC Power supply unit (supplied)  
VL-MV75AZA: Power supply unit sold separately

\*1 Easy installation by simply replacing existing doorbell unit Nonpolar 2-wire system.



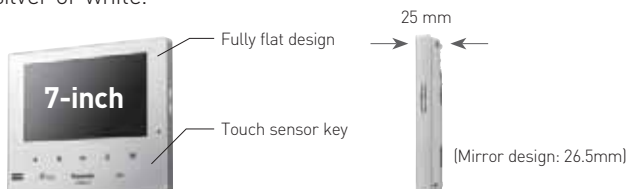
### Sophisticated Design

The doorphone has a gently curved, metallic-looking design that matches the home exterior. Also, the doorphone can be embedded in a wall by using the optional mount box.



### Thin Monitor

Touch sensor keys are used in the monitor, achieving a fully flat design for our thinnest\*2 model yet. You can select from silver or white.



\*2 The thinnest intercom with built-in power supply produced by Panasonic.



### Improve Image Quality

A 1.3 M pixel image sensor is used in the door station to dramatically improve image quality.



Pictures are simulated.

### Other Features

- Electric Lock Release Support : AC30 V-1 A / DC24 V-1 A
- Voice Changer
- Picture Recording  
(Up to 50 visitors (up to 4 still images per visitor))
- Intercom Call (between the main monitor and an extension monitor)
- Night Vision (LED lights), Illuminated "bell" indicator
- Easy-to-use function keys  
(E-lock release, volume adjustment)

### Options

Extension Monitor\*3  
VL-MV75 S (Silver)  
VL-MV75 W (White)  
VL-MV75 M (Mirror design)

Up to  
3



Door Station (Doorphone)  
VL-V524L  
(CMOS 1.3 M pixels)

Up to  
2

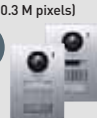


Flush Mount Box  
for VL-V524L  
VL-MB524



Door Station (Doorphone)  
VL-V554\*4  
(CMOS 1.0 M pixels)  
VL-V555\*4  
(CMOS 0.3 M pixels)

Up to  
2



Flush Mount Box  
for VL-V554/V555  
VL-MB554



[VL-MB554 included  
with VL-V554U]

Door Station (Doorphone)  
VL-V522L\*4  
(CMOS 0.3 M pixels)

Up to  
2



[Surface mount]

Lobby Station  
Up to 20 Rooms  
VL-V591  
Up to 32 Rooms  
VL-VM series  
Up to 2,240 Rooms  
VL-V901

PBX  
Connectable PBX Model Numbers  
KX-TDA30/100/100D/200/600 series  
KX-TDE100/200/600 series  
KX-NS300/500/700/1000 series



This image shows the KX-NS500.

Please consult  
your dealer  
when  
connecting  
with a PBX.

\*3 (Power source) VL-MV75AZ: 24 V DC Power supply unit (supplied) \*4 The door stations have different resolutions. The image quality may be lower than that of the door station included in the package.  
VL-MV75AZA: Power supply unit sold separately

**Wired**

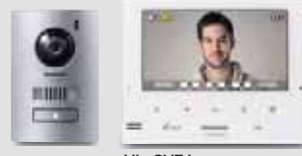
# Expandable Series

## Video Intercom System

# VL-SV74

AZ/BX/CX/CX1/ML/SX/VN  
(Main Monitor: Mirror design)

### Colour Lineup



VL-SV74  
(Main Monitor: White)



VL-SV74  
(Main Monitor: Silver)

Mirror design and White models may not be available in some countries.



Door Station  
VL-V524L

Up to  
**2**

< 2 Wire\*1 >



Main Monitor Station  
VL-MV74 M

Up to  
**3**

(not including the main monitor)

**7-inch**  
Wide Screen



The pictures have been graphically illustrated to simulate the mirror effect. The operation screen is displayed on the LCD during operation.

**(Power source)**  
VL-MV74: 220-240 V AC, 50/60 Hz

\*1 Easy installation by simply replacing existing doorbell unit Nonpolar 2-wire system.



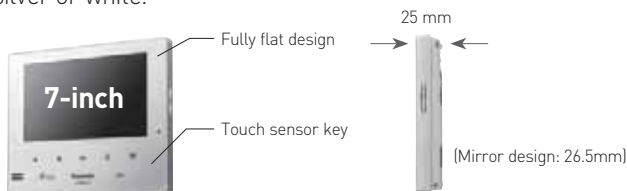
### Sophisticated Design

The doorphone has a gently curved, metallic-looking design that matches the home exterior. Also, the doorphone can be embedded in a wall by using the optional mount box.



### Thin Monitor

Touch sensor keys are used in the monitor, achieving a fully flat design for our thinnest\*2 model yet. You can select from silver or white.



\*2 The thinnest intercom with built-in power supply produced by Panasonic.



### Improve Image Quality

A 1.3 M pixel image sensor is used in the door station to dramatically improve image quality.



Pictures are simulated.

### Other Features

- Electric Lock Release Support : AC30 V-1 A / DC24 V-1 A
- Voice Changer
- Picture Recording  
(Up to 50 visitors (up to 4 still images per visitor))
- Intercom Call (between the main monitor and an extension monitor)
- Night Vision (LED lights), Illuminated "bell" indicator
- Easy-to-use function keys  
(E-lock release, volume adjustment)

### Options

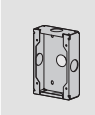
Extension Monitor  
VL-MV74 S (Silver)  
VL-MV74 W (White)  
VL-MV74 M (Mirror design)



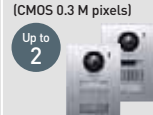
Door Station (Doorphone)  
VL-V524L  
(CMOS 1.3 M pixels)



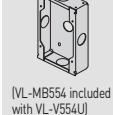
Flush Mount Box for VL-V524L  
VL-MB524



Door Station (Doorphone)  
VL-V554\*3  
(CMOS 1.0 M pixels)  
VL-V555\*3  
(CMOS 0.3 M pixels)



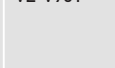
Flush Mount Box for VL-V554/V555  
VL-MB554



Door Station (Doorphone)  
VL-V522L\*3  
(CMOS 0.3 M pixels)



Lobby Station  
Up to 20 Rooms  
VL-V591  
Up to 32 Rooms  
VL-VM series  
Up to 2,240 Rooms  
VL-V901



**PBX**  
Connectable PBX Model Numbers  
KX-TDA30/100/100D/200/600 series  
KX-TDE100/200/600 series  
KX-NS300/500/700/1000 series



Please consult your dealer when connecting with a PBX.

\*3 The door stations have different resolutions. The image quality may be lower than that of the door station included in the package.

# Expandable Series

Video Intercom System

## VL-SV72<sup>AZ</sup>



Door Station  
VL-V522L

Up to  
2

< 2 Wire\*1 >



Main Monitor Station  
VL-MV72

7-inch  
Wide Screen

Up to  
3  
(not including the  
main monitor)

[Power source]  
VL-MV72: 24 V DC Power supply unit (supplied)  
VL-MV72A: Power supply unit sold separately

\*1 Easy installation by simply replacing existing doorbell unit Nonpolar 2-wire system.



### Highly Expandable

Up to 3 additional 7-inch monitors can be connected to the main monitor. In addition, PBX connectivity is also supported.



Up to  
3



### Night Vision (LED Lights)

Door Station is equipped with LED lights (illumination lamp). It enables the colour display of visitors at a distance of about 50 cm at night.



Equipped with LED lights



### Picture Recording

(8 Consecutive recorded images each)

Eight consecutive still images of visitors are automatically recorded. (Up to 50 times, 400 images in total) This ensures that you will see every person visiting your home. Images can also be displayed frame-by-frame.



### Other Features

- Electric Lock Release Support : AC30 V-1 A / DC24 V-1 A
- Voice Changer
- Intercom Call (between the main monitor and extension monitor)

### Options

Extension Monitor\*2  
VL-MV72  
VL-MV72A

Up to  
3



Door Station (Doorphone)  
VL-V522L (CMOS 0.3 M pixels)

Up to  
2



(Surface mount)

Door Station (Doorphone)  
VL-V554 (CMOS 1.0 M pixels)  
VL-V555 (CMOS 0.3 M pixels)

Up to  
2



Flush Mount Box  
for VL-V554/V555  
VL-MB554



(VL-MB554 included with VL-V554U)

Lobby Station  
Up to 20 Rooms  
VL-V591  
Up to 32 Rooms  
VL-VM series  
Up to 2,240 Rooms  
VL-V901

PBX

Connectable PBX Model Numbers

KX-TDA30/100/100D/200/600 series  
KX-TDE100/200/600 series  
KX-NS300/500/700/1000 series



This image shows the KX-NS500.

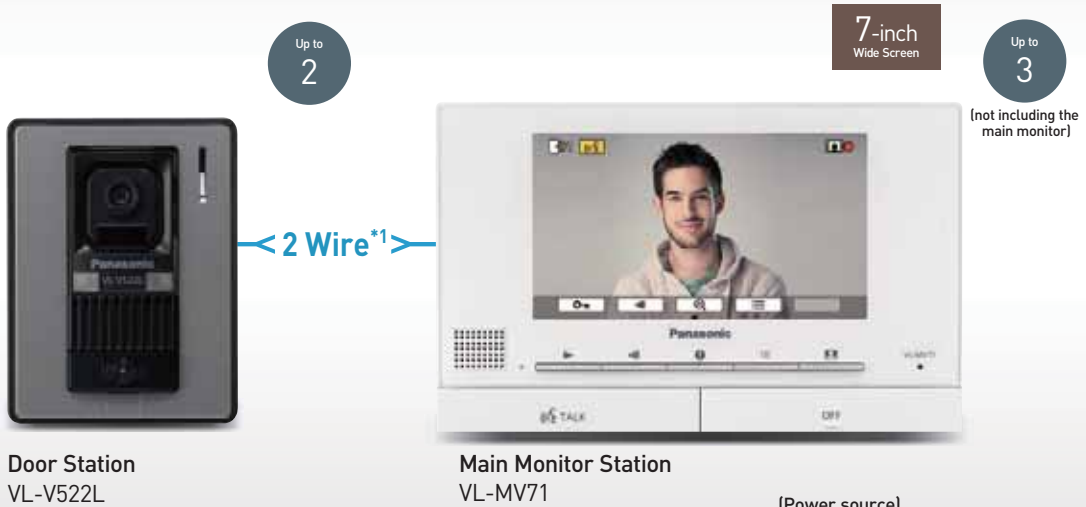
Please consult your dealer when connecting with a PBX.

\*2 [Power source] VL-MV72: 24 V DC Power supply unit (supplied)  
VL-MV72A: Power supply unit sold separately

# Expandable Series

Video Intercom System

## VL-SV71 AZ/BX/CX/CX1/ML/SX/VN



**Door Station**  
VL-V522L

**Main Monitor Station**  
VL-MV71

**(Power source)**  
VL-MV71: 220-240 V AC, 50/60 Hz  
VL-MV72A: Power supply unit sold separately

\*1 Easy installation by simply replacing existing doorbell unit Nonpolar 2-wire system.

### Highly Expandable

Up to 3 additional 7-inch monitors can be connected to the main monitor. In addition, PBX connectivity is also supported.



### Night Vision (LED Lights)

Door Station is equipped with LED lights (illumination lamp). It enables the colour display of visitors at a distance of about 50 cm at night.



Equipped with LED lights

### Picture Recording (8 Consecutive recorded images each)

Eight consecutive still images of visitors are automatically recorded. (Up to 50 times, 400 images in total) This ensures that you will see every person visiting your home. Images can also be displayed frame-by-frame.



### Other Features

- Electric Lock Release Support : AC30 V-1 A / DC24 V-1 A
- Voice Changer
- Intercom Call (between the main monitor and extension monitor)

### Options

Extension Monitor\*2  
VL-MV71  
VL-MV72A

Up to 3

Door Station (Doorphone)  
VL-V522L (CMOS 0.3 M pixels)

Up to 2

(Surface mount)

Door Station (Doorphone)  
VL-V554 (CMOS 1.0 M pixels)  
VL-V555 (CMOS 0.3 M pixels)

Up to 2

Flush Mount Box for VL-V554/V555  
VL-MB554

(VL-MB554 included with VL-V554U)

Lobby Station  
Up to 20 Rooms  
VL-V591  
Up to 32 Rooms  
VL-VM series\*3  
Up to 2,240 Rooms  
VL-V901

**PBX**

**Connectable PBX Model Numbers**  
KX-TDA30/100/100D/200/600 series  
KX-TDE100/200/600 series  
KX-NS300/500/700/1000 series

This image shows the KX-NS500.

Please consult your dealer when connecting with a PBX.

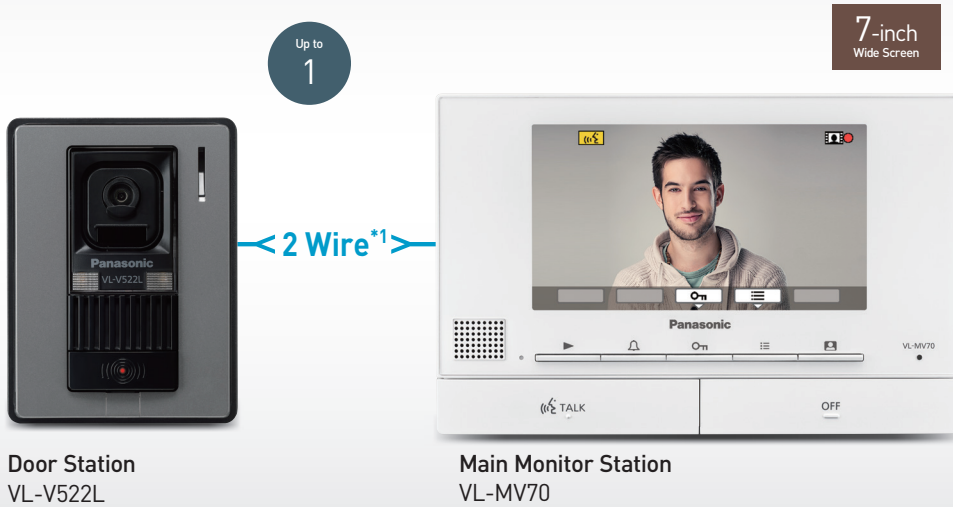
\*2 (Power source) VL-MV71: 220-240 V AC, 50/60 Hz  
VL-MV72A: Power supply unit sold separately (VL-MV72A may not be available in some countries.)

\*3 These products may not be available in some countries.

# Entry Series

Video Intercom System

## VL-SV70<sup>BX/CX/CX1/SX/VN</sup>



\*1 Easy installation by simply replacing existing doorbell unit Nonpolar 2-wire system.



### Picture Recording

(4 Consecutive recorded images each)

Four consecutive still images of visitors are automatically recorded. (Up to 50 times, 200 images in total) This ensures that you will see every person visiting your home. Images can also be displayed frame-by-frame.



### One-touch Voice Change

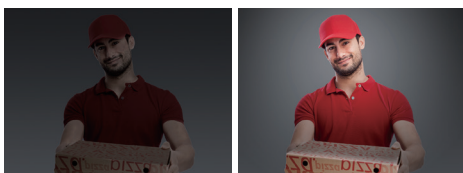
This unique safety feature makes the voice heard at the doorphone sound deeper so that a female voice sounds like a male voice. The voice change function can be activated with one touch of a button from the main monitor during an incoming call.



### Night Vision

(LED Lights)

Door Station is equipped with LED lights (illumination lamp). It enables the colour display of visitors at a distance of about 50 cm at night.



Equipped with LED lights

### Other Features

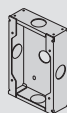
- Electric Lock Release Support : AC30 V-1 A / DC24 V-1 A

### Options

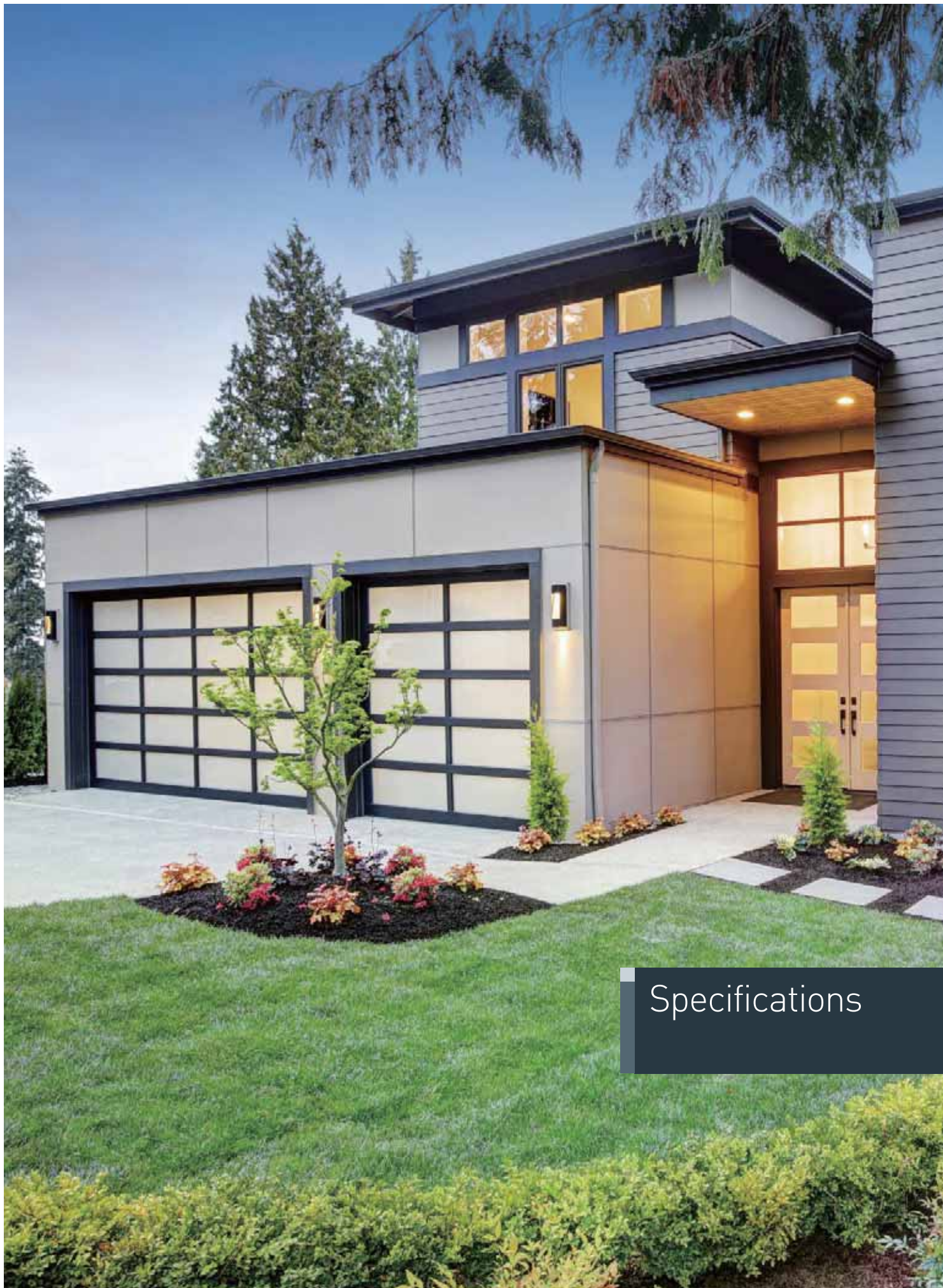
Door Station (Doorphone)  
VL-V554 (CMOS 1.0 M pixels)  
VL-V555 (CMOS 0.3 M pixels)



Flush Mount Box for VL-V554/V555  
VL-MB554

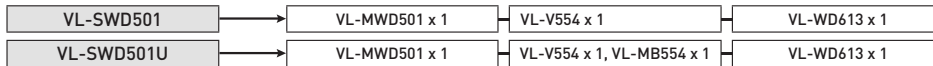


[VL-MB554 included with VL-V554U]



## Specifications

■ Model Composition



Model number and name	VL-MWD501	VL-V554 (Surface mount) VL-V554U (Flush mount)	VL-WD613
Dimensions (Unit: mm)			
Power source	Power supply unit 24 V DC, 0.5 A VL-SWD501EX: VL-PS240 VL-SWD501AZ/BX: VL-PS241	Supplied by the main monitor 20 V DC, 0.23 A	Rechargeable battery AAA [R03] Ni-MH battery [1.2 V, 550 mAh] x 2
Power consumption	Standby: 1.4 W* Operating: 10 W* *Measurement conditions: VL-V554/V554U (1 pc.) is connected to the Main Monitor	—	Standby: 0.6 W* Charging: 1.6 W *When the sub monitor with full-charged batteries is placed on the charger.
Weight	Main monitor: 470 g Power supply unit [VL-PS240]: 230 g [VL-PS241]: 215 g	VL-V554: 405 g VL-V554U: 345 g	Main body: 160 g (including the batteries) Charger: 70 g (excluding the AC adaptor)
Operating environment	Ambient temperature: Approx. 0 °C to +40 °C Relative humidity (non-condensing): up to 90 %	Ambient temperature: Approx. -15 °C to +55 °C Relative humidity (non-condensing): up to 90 % (tested up to -20 °C)	Ambient temperature: Approx. 0 °C to +40 °C Relative humidity (non-condensing): up to 90 %
Display	5-inch wide colour / WVGA (800x480 pixels) with touch panel	—	2.2-inch colour / QVGA (320x240 pixels)
Display language	English	—	Depends on main monitor
Talking method	Hands-free	Hands-free	Hands-free
Frequency range	1.88 GHz to 1.90 GHz	—	1.88 GHz to 1.90 GHz
RF transmission power	Approx. 10 mW (average power per channel) 250 mW (max.)	—	Approx. 10 mW (average power per channel) 250 mW (max.)
Transmitting range	Approx. 100 m (line-of-sight distance between the main and wireless monitor)	—	Approx. 100 m (line-of-sight distance between the main and wireless monitor)
Operating time	—	—	Standby use: Approx. 80 hours <sup>*1</sup>
Charging time	—	—	Approx. 8 hours <sup>*2</sup>
Option output (A contact)	Rated load: 24 V AC/DC, 0.3 A or lower Minimum applicable load: 5 V DC, 0.001 A (Output when there is a call from the door station)	—	—
Viewing angle	—	Horizontally: Approx. 170° Vertically: Approx. 115°	—
Image sensor / camera [pixel]	—	CMOS sensor (Approx. 1.0 M pixels)	—
Minimum illuminance required	—	1 lx (within approx. 50 cm from the camera lens)	—
Lighting method	—	Warm white coloured LED lights	—
IP rating / IK rating	—	IP54 <sup>*3</sup> / Compliant with IK07	—
Installation method	Wall mount (mounting bracket supplied)	VL-V554: surface mount (mounting base supplied) VL-V554U: flush mount (flush mount box supplied)	—
External material	Flame retardant ABS and PS resin	Aluminium and flame retardant resin	ABS resin

Options

Model number and name	VL-WD812 (For VL-SWD501)	Power Supply Unit [VL-PS241]	VL-FKD2 (For VL-SWD501 / VL-SWD272)
Dimensions (Unit: mm)			
Power source	Power supply unit [VL-PS241] 24 V DC, 0.4 A	Input: 220-240 V AC, 0.2 A [50/60 Hz] Output: 24 V DC, 0.6 A	AC adaptor (6.5 V DC, 0.5 A)
Power consumption	Standby: 1.5 W Operating: 4.5 W (when the LED lights are not lit), 8 W (when the LED lights are lit)	—	Standby: 1.5 W Operating: 2.3 W (when transmitting)
Weight	960 g	215 g	88 g (excluding the AC adaptor)
Operating environment	Ambient temperature: Approx. -20 °C to +50 °C Relative humidity (non-condensing): up to 90 %	Ambient temperature: Approx. 0 °C to +50 °C Relative humidity (non-condensing): up to 90 % (indoor use only)	Ambient temperature: Approx. 0 °C to +40 °C Relative humidity (non-condensing): up to 90 %
Frequency range	1.88 GHz to 1.90 GHz	—	1.88 GHz to 1.90 GHz
Transmitting range	Approx. 100 m (line-of-sight distance from the main monitor)	—	Approx. 100 m (line-of-sight)
Angular field of view (camera angle)	Horizontal: Approx. 53° Vertical: Approx. 41°	—	—
Image sensor	0.3 M pixels CMOS	—	—
Minimum illuminance required	1 lx <sup>*4</sup>	—	—
Lighting method	2 white coloured LED lights <sup>*5</sup>	—	—
Sensor detection range	Heat sensor (when the surrounding temperature is approx. 20 °C) Horizontal: Approx. 63°, vertical: Approx. 20°, detection range: Approx. 5 m Motion detection sensor Horizontal: Approx. 53°, vertical: Approx. 41°	—	—
Sensor detection method	Pyroelectric infrared sensor (heat sensor) and motion detection	—	—
Adjustable mounting angles	Horizontal: ±90°, vertical: facing forward - facing down approx. 60° (adjustable when mounting)	—	—
Heat sensor adjustable angles	Manually adjustable to 2 angles	—	—
IP rating	IP54 <sup>*3</sup>	—	—
Installation method	Wall mount (wall mount bracket supplied)	Wall mount or attach to DIN rail	—
External material	PC+ABS resin	Flame retardant PC+ABS resin	PS resin

\*1 When used fully charged in an operating temperature of 20 °C. \*2 When the operating temperature is 20 °C. The charging time may increase when the operating temperature is lower than this. \*3 Water resistance is only assured if the door station/the camera is installed correctly according to the instructions in the Installation Guide, and appropriate water protection measures are taken. Do not install the camera in areas directly exposed to water or rain. \*4 The minimum illuminance required when the camera's [Brightness] setting is set to [+3]. \*5 Approx. 8.5 lx when 3 m in front of the camera, and approx. 4 lx when 3 m away and 20° to the left or right of the camera.



# VL-SWD275AZ

## Model Composition

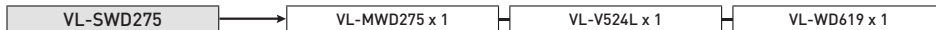


	VL-MWD275	VL-V524L	VL-WD619
Model number and name	Main Monitor Station (Main monitor) Extension Monitor	Door Station (Doorphone)	Wireless Monitor Station (Sub monitor)
Dimensions (Unit: mm)			
Power source	Power supply unit (VL-PS241) 24 V DC, 0.6 A	Supplied by the main monitor	Main body: Rechargeable battery AAA (R03) Ni-MH battery (1.2 V, 550 mAh) x 2 Charger: AC adaptor (5.5 V DC, 0.5 A)
Power consumption	Standby: 2.2 W* Operating: 14.0 W* *Measurement conditions: VL-V524L (1 pc.) and VL-WD619 (1pc.) are connected to VL-MWD275.	—	Standby: 0.6 W* Charging: 1.6 W *When the sub monitor with full-charged batteries is placed on the charger.
Weight	Main monitor: 605 g Power supply unit (VL-PS241): 215 g	225 g	Main body: 160 g (including the batteries) Charger: 70 g (excluding the AC adaptor)
Operating environment	Ambient temperature: Approx. 0 °C to +40 °C Relative humidity (non-condensing): up to 90 %	Ambient temperature: Approx. -15 °C to +55 °C Relative humidity (non-condensing): up to 90 %	Ambient temperature: Approx. 0 °C to +40 °C Relative humidity (non-condensing): up to 90 %
Display	7-inch wide colour / WVGA (800x480 pixels)	—	2.2-inch colour / QVGA (320x240 pixels)
Display language	English, Arabic	—	Depends on main monitor
Talking method	Hands-free	Hands-free	Hands-free
Frequency range	1.88 GHz to 1.90 GHz	—	1.88 GHz to 1.90 GHz
RF transmission power	Approx. 10 mW (average power per channel) 250 mW (max.)	—	Approx. 10 mW (average power per channel) 250 mW (max.)
Transmitting range	Approx. 100 m (line-of-sight distance between the main and wireless monitor)	—	Approx. 100 m (line-of-sight distance between the main and wireless monitor)
Operating time	—	—	Standby use: Approx. 80 hours*4
Charging time	—	—	Approx. 8 hours*5
Viewing angle	—	Horizontally: Approx. 85° Vertically: Approx. 54°	—
Image sensor / camera (pixel)	—	CMOS sensor (Approx. 1.3 M pixels)	—
Minimum illuminance required	—	1 lx (within approx. 50 cm from the camera lens)	—
Lighting method	—	LED lights	—
IP rating / IK rating	—	IP44*6	—
Installation method	Wall mount (mounting bracket supplied)	Surface mount (mounting base supplied) Flush mount (mount box sold separately)	—
External material	Flame retardant ABS resin	Flame retardant resin	ABS resin

\*1 Not including the main monitor. \*2 When sub monitors and extension monitors are used together, a total of up to 6 sub monitors and extension monitors can be registered. \*3 Excluding sections embedded into the wall. \*4 When used fully charged in an operating temperature of 20 °C. \*5 When the operating temperature is 20 °C. The charging time may increase when the operating temperature is lower than this. \*6 Water resistance is only assured if the door station is installed correctly according to the instructions in the Installation Guide, and appropriate water protection measures are taken.

# VL-SWD275BX/CX/CX1/ML

## Model Composition

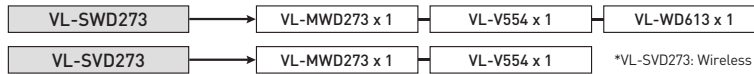


	VL-MWD275	VL-V524L	VL-WD619
Model number and name	Main Monitor Station (Main monitor) Extension Monitor	Door Station (Doorphone)	Wireless Monitor Station (Sub monitor)
Dimensions (Unit: mm)			
Power source	220-240 V AC, 50/60 Hz	Supplied by the main monitor	Main body: Rechargeable battery AAA (R03) Ni-MH battery (1.2 V, 550 mAh) x 2 Charger: AC adaptor (5.5 V DC, 0.5 A)
Power consumption	Standby: 2.9 W* Operating: 13.7 W* *Measurement conditions: VL-V524L (1 pc.) and VL-WD619 (1pc.) are connected to VL-MWD275.	—	Standby: 0.6 W* Charging: 1.6 W *When the sub monitor with full-charged batteries is placed on the charger.
Weight	VL-MWD275BX: 705 g*4 VL-MWD275CX/CX1/ML: 760 g*4	225 g	Main body: 160 g (including the batteries) Charger: 70 g (excluding the AC adaptor)
Operating environment	Ambient temperature: Approx. 0 °C to +40 °C Relative humidity (non-condensing): up to 90 %	Ambient temperature: Approx. -15 °C to +55 °C Relative humidity (non-condensing): up to 90 %	Ambient temperature: Approx. 0 °C to +40 °C Relative humidity (non-condensing): up to 90 %
Display	7-inch wide colour / WVGA (800x480 pixels)	—	2.2-inch colour / QVGA (320x240 pixels)
Display language	English, Arabic	—	Depends on main monitor
Talking method	Hands-free	Hands-free	Hands-free
Frequency range	1.88 GHz to 1.90 GHz	—	1.88 GHz to 1.90 GHz
RF transmission power	Approx. 10 mW (average power per channel) 250 mW (max.)	—	Approx. 10 mW (average power per channel) 250 mW (max.)
Transmitting range	Approx. 100 m (line-of-sight distance between the main and wireless monitor)	—	Approx. 100 m (line-of-sight distance between the main and wireless monitor)
Operating time	—	—	Standby use: Approx. 80 hours*5
Charging time	—	—	Approx. 8 hours*6
Viewing angle	—	Horizontally: Approx. 85° Vertically: Approx. 54°	—
Image sensor / camera (pixel)	—	CMOS sensor (Approx. 1.3 M pixels)	—
Minimum illuminance required	—	1 lx (within approx. 50 cm from the camera lens)	—
Lighting method	—	LED lights	—
IP rating / IK rating	—	IP44*7	—
Installation method	Wall mount (mounting bracket supplied)	Surface mount (mounting base supplied) Flush mount (mount box sold separately)	—
External material	Flame retardant ABS resin	Flame retardant resin	ABS resin

\*1 Not including the main monitor. \*2 When sub monitors and extension monitors are used together, a total of up to 6 sub monitors and extension monitors can be registered. \*3 Excluding sections embedded into the wall. \*4 Including AC cable. The weight of the AC cable differs depending on the region. \*5 When used fully charged in an operating temperature of 20 °C. \*6 When the operating temperature is 20 °C. The charging time may increase when the operating temperature is lower than this. \*7 Water resistance is only assured if the door station is installed correctly according to the instructions in the Installation Guide, and appropriate water protection measures are taken.

# VL-SWD273/VL-SVD273AZ

## Model Composition

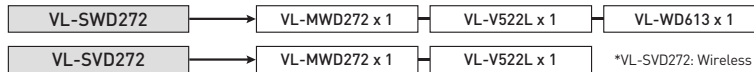


Model number and name	VL-MWD273 Main Monitor Station (Main monitor) Extension Monitor	VL-V554 Door Station (Doorphone)	VL-WD613 Wireless Monitor Station (Sub monitor)
Dimensions (Unit: mm)			
Power source	Power supply unit (VL-PS241) 24 V DC, 0.5 A	Supplied by the main monitor 20 V DC, 0.23 A	Rechargeable battery AAA (R03) Ni-MH battery (1.2 V, 550 mAh) x 2
Power consumption	Standby: 1.8 W* Operating: 11.6 W* *Measurement conditions: VL-V554 (1 pc.) is connected to the Main Monitor	—	Standby: 0.6 W* Operating: 1.6 W* *When the sub monitor with full-charged batteries is placed on the charger.
Weight	710 g	VL-V554: 405 g VL-V554U: 345 g	Main body: 160 g (including the batteries) Charger: 70 g (excluding the AC adaptor)
Operating environment	Ambient temperature: Approx. 0 °C to +40 °C Relative humidity (non-condensing): up to 90 %	Ambient temperature: Approx. -15 °C to +50 °C Relative humidity (non-condensing): up to 90 % (tested up to -20 °C)	Ambient temperature: Approx. 0 °C to +40 °C Relative humidity (non-condensing): up to 90 %
Display	7-inch wide colour / WVGA (800x480 pixels)	—	2.2-inch colour / QVGA (320x240 pixels)
Display language	English, Arabic	—	Depends on main monitor
Talking method	Hands-free	Hands-free	Hands-free
Frequency range	1.88 GHz to 1.90 GHz	—	1.88 GHz to 1.90 GHz
RF transmission power	Approx. 10 mW (average power per channel) 250 mW (max.)	—	Approx. 10 mW (average power per channel) 250 mW (max.)
Transmitting range	Approx. 100 m (line-of-sight distance between the main and wireless monitor)	—	Approx. 100 m (line-of-sight distance between the main and wireless monitor)
Operating time	—	—	Standby use: Approx. 80 hours*4
Charging time	—	—	Approx. 8 hours*5
Viewing angle	—	Horizontally: Approx. 170° Vertically: Approx. 115°	—
Image sensor / camera (pixel)	—	CMOS sensor (Approx. 1.0 M pixels)	—
Minimum illuminance required	—	1 lx (within approx. 50 cm from the camera lens)	—
Lighting method	—	Warm white coloured LED lights, Infrared LEDs	—
IP rating / IK rating	—	IP54*6 / Compliant with IK07	—
Installation method	Wall mount (mounting bracket supplied)	surface mount (mounting base supplied)	—
External material	Flame retardant PC+ABS resin, Flame retardant ABS resin	Aluminium and flame retardant resin	ABS resin

\*1 Not including the main monitor. \*2 When sub monitors and extension monitors are used together, a total of up to 6 sub monitors and extension monitors can be registered. \*3 Excluding sections embedded into the wall. \*4 When used fully charged in an operating temperature of 20 °C. \*5 When the operating temperature is 20 °C. The charging time may increase when the operating temperature is lower than this. \*6 Water resistance is only assured if the door station is installed correctly according to the instructions in the Installation Guide, and appropriate water protection measures are taken.

# VL-SWD272/VL-SVD272AZ/BX/CX/CX1/ML

## Model Composition



Model number and name	VL-MWD272 Main Monitor Station (Main monitor) Extension Monitor	VL-V522L Door Station (Doorphone)	VL-WD613 Wireless Monitor Station (Sub monitor)
Dimensions (Unit: mm)			
Power source	220-240 V AC, 50/60 Hz	Supplied by the main monitor	Rechargeable battery AAA (R03) Ni-MH battery (1.2 V, 550 mAh) x 2
Power consumption	Standby: 2.5 W* Operating: 10 W* *Measurement conditions: VL-V522L (1 pc.) is connected to the Main Monitor	—	Standby: 0.6 W* Operating: 1.6 W* *When the sub monitor with full-charged batteries is placed on the charger.
Weight	VL-MWD272AZ: 835 g*3 VL-MWD272BX/VN: 825 g*3 VL-MWD272CX/CX1/ML: 875 g*3	200 g	Main body: 160 g (including the batteries) Charger: 70 g (excluding the AC adaptor)
Operating environment	Ambient temperature: Approx. 0 °C to +40 °C Relative humidity (non-condensing): up to 90 %	Ambient temperature: Approx. -15 °C to +55 °C Relative humidity (non-condensing): up to 90 % (tested up to -20 °C)	Ambient temperature: Approx. 0 °C to +40 °C Relative humidity (non-condensing): up to 90 %
Display	7-inch wide colour / WVGA (800x480 pixels)	—	2.2-inch colour / QVGA (320x240 pixels)
Display language	English, Arabic	—	Depends on main monitor
Talking method	Hands-free	Hands-free	Hands-free
Frequency range	1.88 GHz to 1.90 GHz	—	1.88 GHz to 1.90 GHz
RF transmission power	Approx. 10 mW (average power per channel) 250 mW (max.)	—	Approx. 10 mW (average power per channel) 250 mW (max.)
Transmitting range	—	—	Approx. 100 m (line-of-sight distance between the main and wireless monitor)
Operating time	—	—	Standby use: Approx. 80 hours*4
Charging time	—	—	Approx. 8 hours*5
Viewing angle	—	Horizontally: Approx. 87° Vertically: Approx. 66°	—
Image sensor / camera (pixel)	—	CMOS sensor (Approx. 0.3 M pixels)	—
Minimum illuminance required	—	1 lx (within approx. 50 cm from the camera lens)	—
Lighting method	—	Warm white coloured LED lights, Infrared LEDs	—
IP rating / IK rating	—	IPX3*6	—
Installation method	Wall mount (mounting bracket supplied)	Surface mount (mounting base supplied)	—
External material	Flame retardant PC+ABS resin, Flame retardant ABS resin	Flame retardant ABS resin	ABS resin

\*1 Not including the main monitor. \*2 When sub monitors and extension monitors are used together, a total of up to 6 sub monitors and extension monitors can be registered. \*3 Including AC cable. The weight of the AC cable differs depending on the region. \*4 When used fully charged in an operating temperature of 20 °C. \*5 When the operating temperature is 20 °C. The charging time may increase when the operating temperature is lower than this. \*6 Water resistance is only assured if the door station is installed correctly according to the instructions in the Installation Guide, and appropriate water protection measures are taken.

Model Composition



	VL-MW274	VL-V522L	VL-W617
Model number and name	Main Monitor Station (Main monitor) Extension Monitor	Door Station (Doorphone)	Wireless Monitor Station (Sub monitor)
Dimensions (Unit: mm)			
Power source	220-240 V AC, 50/60 Hz	Supplied by the main monitor	Main body: Ni-MH battery (3.6 V DC / 650 mAh) Charger: AC adaptor (6.5 V DC, 0.5 A)
Power consumption	Standby: 1.9 W* Operating: 10 W* *Measurement conditions: VL-V522L (1 pc.) is connected to the Main Monitor	—	Standby: 0.07 W (when the sub monitor is not placed in the charger) During charging: 1.8 W
Weight	VL-MW274BX/VN: 825 g <sup>3</sup> VL-MW274SX: 850 g <sup>3</sup>	200 g	Main body: 175 g (including the battery) Charger: 115 g (including the stand)
Operating environment	Ambient temperature: Approx. 0 °C to +40 °C Relative humidity (non-condensing): up to 90 %	Ambient temperature: Approx. -15 °C to +55 °C Relative humidity (non-condensing): up to 90 % (tested up to -20 °C)	Ambient temperature: Approx. 0 °C to +40 °C Relative humidity (non-condensing): up to 90 %
Display	7-inch wide colour / WVGA (800x480 pixels)	—	1.8-inch colour display
Display language	English, Arabic	—	Depends on main monitor
Talking method	Hands-free	Hands-free	Hands-free
Frequency range	2.402 GHz to 2.481 GHz	—	2.402 GHz to 2.481 GHz
Transmitting range	Approx. 100 m (line-of-sight distance between the main and wireless monitor)	—	Approx. 100 m (line-of-sight distance between the main and wireless monitor)
Operating time	—	—	Standby use: Approx. 200 hours <sup>4</sup>
Charging time	—	—	Approx. 7 hours <sup>5</sup>
Viewing angle	—	Horizontally: Approx. 87° Vertically: Approx. 66°	—
Image sensor / camera (pixel)	—	CMOS sensor (Approx. 0.3 M pixels)	—
Minimum illumination required	—	1 lx (within approx. 50 cm from the camera lens)	—
Lighting method	—	Warm white coloured LED lights, Infrared LEDs	—
IP rating / IK rating	—	IPX3 <sup>6</sup>	—
Installation method	Wall mount (mounting bracket supplied)	Surface mount (mounting base supplied)	—
External material	Flame retardant ABS resin	Flame retardant ABS resin	ABS resin

\*1 Not including the main monitor.

\*2 When sub monitors and extension monitors are used together, a total of up to 6 sub monitors and extension monitors can be registered.

\*3 Including AC cable. The weight of the AC cable differs depending on the region.

\*4 When used fully charged in an operating temperature of 20 °C.

\*5 When the operating temperature is 20 °C. The charging time may increase when the operating temperature is lower than this.

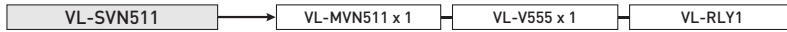
\*6 Water resistance is only assured if the door station is installed correctly according to the instructions in the Installation Guide, and appropriate water protection measures are taken.

Options

	VL-FAN2 (For VL-SW274)
Model number and name	Optional Repeater for Wireless Monitor
Dimensions (Unit: mm)	
Power source	AC adaptor Output: 6.5 V DC, 0.5 A
Current consumption	Standby: 0.07 A Operating: 0.15 A
Dimensions (H x W x D) (Excluding protruding sections)	27 x 101 x 82 mm 69.5 x 101 x 82 mm (when raising the antenna)
Weight	85 g
Operating environment	Ambient temperature: Approx. 0 °C to +40 °C Relative humidity (non-condensing): up to 90 %
Frequency range	2.402 GHz to 2.481 GHz
Transmitting range	Approx. 100 m (line-of-sight distance from the main monitor)
Viewing angle	—
Image sensor / camera (pixel)	—
Installation method	—
External material	Flame retardant PS resin

# VL-SVN511EX/AZ

## Model Composition

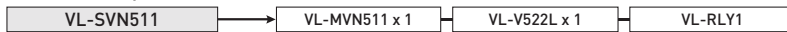


Model number and name	VL-MVN511	VL-V555	VL-RLY1	
	Main Monitor Station (Main monitor)		Door Station (Doorphone)	Relay Box
Dimensions (Unit: mm)				
Power source	Power supply unit 24 V DC, 0.5 A VL-SVN511EX: VL-PS240 VL-SVN511AZ: VL-PS241		Supplied by the main monitor	Supplied by the main monitor
Power consumption	Standby: 1.8 W* Operating: 10 W* *Measurement conditions: VL-V555 (1 pc.) is connected to the Main Monitor		—	—
Weight	Main monitor: 485 g Power supply unit (VL-PS240): 230 g (VL-PS241): 215 g		395 g	130 g
Operating environment	Ambient temperature: Approx. 0 °C to +40 °C Relative humidity (non-condensing): up to 90 %		Ambient temperature: Approx. -15 °C to +55 °C Relative humidity (non-condensing): up to 90 % (tested up to -20 °C)	Ambient temperature: Approx. 0 °C to +40 °C Relative humidity (non-condensing): up to 90 %
Display	5-inch wide colour / WQVGA (480x272 pixels)		—	—
Display language	English, Arabic		—	—
Talking method	Hands-free		Hands-free	—
Wireless transmission method	IEEE 802.11 b/g/n 2.4 GHz		—	—
Viewing angle	—		Horizontally: Approx. 170° Vertically: Approx. 130°	—
Image sensor / camera (pixel)	—		CMOS sensor (Approx. 0.3 M pixels)	—
Minimum illuminance required	—		1 lx (within approx. 50 cm from the camera lens)	—
Lighting method	—		White coloured LED lights	—
IP rating / IK rating	—		IP54** / Compliant with IK07	—
Installation method	Wall mount (mounting bracket supplied)		Surface mount (mounting base supplied) or Flush mount (flush mount box sold separately)	Wall mount or attach to DIN rail
External material	Flame retardant ABS and PS resin		Aluminium and flame retardant PC+PS resin	Flame retardant ABS resin

\*1 Water resistance is only assured if the door station is installed correctly according to the instructions in the Operating Instructions, and appropriate water protection measures are taken.

# VL-SVN511BX/CX/CX1/SX/VN

## Model Composition

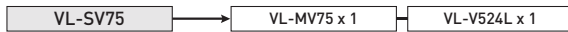


Model number and name	VL-MVN511	VL-V522L	VL-RLY1	
	Main Monitor Station (Main monitor)		Door Station (Doorphone)	Relay Box
Dimensions (Unit: mm)				
Power source	Power supply unit (VL-PS241) 24 V DC, 0.5 A		Supplied by the main monitor	Supplied by the main monitor
Power consumption	Standby: 1.8 W* Operating: 10 W* *Measurement conditions: VL-V522L (1 pc.) is connected to the Main Monitor		—	—
Weight	Main monitor: 485 g Power supply unit (VL-PS241): 215 g		200 g	130 g
Operating environment	Ambient temperature: Approx. 0 °C to +40 °C Relative humidity (non-condensing): up to 90 %		Ambient temperature: Approx. -15 °C to +55 °C Relative humidity (non-condensing): up to 90 % (tested up to -20 °C)	Ambient temperature: Approx. 0 °C to +40 °C Relative humidity (non-condensing): up to 90 %
Display	5-inch wide colour / WQVGA (480x272 pixels)		—	—
Display language	English, Arabic		—	—
Talking method	Hands-free		Hands-free	—
Wireless transmission method	IEEE 802.11 b/g/n 2.4 GHz		—	—
Viewing angle	—		Horizontally: Approx. 87° Vertically: Approx. 66°	—
Image sensor / camera (pixel)	—		CMOS sensor (Approx. 0.3 M pixels)	—
Minimum illuminance required	—		1 lx (within approx. 50 cm from the camera lens)	—
Lighting method	—		Warm white coloured LED lights, Infrared LEDs	—
IP rating / IK rating	—		IPX3**	—
Installation method	Wall mount (mounting bracket supplied)		Surface mount (mounting base supplied)	Wall mount or attach to DIN rail
External material	Flame retardant ABS and PS resin		Flame retardant ABS resin	Flame retardant ABS resin

\*1 Water resistance is only assured if the door station is installed correctly according to the instructions in the Operating Instructions, and appropriate water protection measures are taken.

## VL-SV75AZ

### Model Composition



Model number and name	VL-MV75-S (Silver), VL-MV75-W (White), VL-MV75-M (Mirror design)	VL-V524L
		Main Monitor Station (Main monitor) Extension Monitor
Dimensions (Unit: mm)	<p>Up to 3*1</p> <p>201, 25 (26.5)*, 100, 54, 158, 104</p> <p>*for mirror design</p>	<p>Up to 2</p> <p>(Flush Mount Box)</p> <p>102, 35.5 (21.5)*<sup>2</sup>, 90, 37, 152, 138</p> <p>VL-MB524 (sold separately)</p>
Power source	Power supply unit (VL-PS241) 24 V DC, 0.5 A	Power supplied by the main monitor
Power consumption	Standby: 1.9 W* Operating: 12.7 W* *Measurement conditions: VL-V524L (1 pc.) is connected to the Main Monitor	—
Weight	Main monitor: White/Silver: 605 g, Mirror design: 650 g Power supply unit (VL-PS241): 215 g	225 g
Operating environment	Ambient temperature: Approx. 0 °C to +40 °C Relative humidity (non-condensing): up to 90 %	Ambient temperature: Approx. -15 °C to +55 °C Relative humidity (non-condensing): up to 90 %
Display	7-inch wide colour / WVGA (800 x 480 pixels)	—
Display language	English, Arabic, Vietnamese	—
Talking method	Hands-free	—
Viewing angle	—	Horizontally: Approx. 85° Vertically: Approx. 54°
Image sensor / camera (pixel)	—	1/3 inch CMOS sensor / Approx. 1.3 M pixels
Minimum illuminance required	—	1 lx (within approx. 50 cm from the camera lens)
Lighting method	—	LED lights
IP rating / IK rating	—	IP44* <sup>4</sup>
Installation method	Wall mount (mounting bracket supplied)	Surface mount (mounting base supplied) Flush mount (mount box sold separately)
External material	Flame retardant ABS resin	Flame retardant resin

\*1 Not including the main monitor.

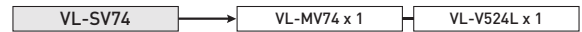
\*2 Excluding sections embedded into the wall.

\*3 Including AC cable. The weight of the AC cable differs depending on the region.

\*4 Water resistance is only assured if the door station is installed correctly according to the instructions in the Installation Guide, and appropriate water protection measures are taken.

## VL-SV74AZ/BX/CX/CX1/ML/SX/VN

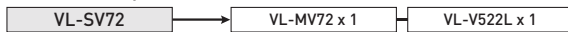
### Model Composition



Model number and name	VL-MV74-S (Silver), VL-MV74-W (White), VL-MV74-M (Mirror design)	VL-V524L
		Main Monitor Station (Main monitor) Extension Monitor
Dimensions (Unit: mm)	<p>Up to 3*1</p> <p>201, 25 (26.5)*, 100, 54, 158, 104</p> <p>*for mirror design</p>	<p>Up to 2</p> <p>(Flush Mount Box)</p> <p>102, 35.5 (21.5)*<sup>2</sup>, 90, 37, 152, 138</p> <p>VL-MB524 (sold separately)</p>
Power source	220-240 V AC, 50/60 Hz	Supplied by the main monitor
Power consumption	Standby: 2.3 W* Operating: 11.3 W* *Measurement conditions: VL-V524L (1 pc.) is connected to the Main Monitor	—
Weight	[White/Silver] <sup>3</sup> AZ: 715 g, BX/VN: 705 g, CX/ML: 760 g, SX: 730 g [Mirror design] <sup>3</sup> AZ: 755 g, BX/VN: 745 g, CX: 800 g, SX: 770 g	225 g
Operating environment	Ambient temperature: Approx. 0 °C to +40 °C Relative humidity (non-condensing): up to 90 %	Ambient temperature: Approx. -15 °C to +55 °C Relative humidity (non-condensing): up to 90 %
Display	7-inch wide colour / WVGA (800x480 pixels)	—
Display language	English, Arabic	—
Talking method	Hands-free	—
Viewing angle	—	Horizontally: Approx. 85° Vertically: Approx. 54°
Image sensor / camera (pixel)	—	1/3 inch CMOS sensor / Approx. 1.3 M pixels
Minimum illuminance required	—	1 lx (within approx. 50 cm from the camera lens)
Lighting method	—	LED lights
IP rating / IK rating	—	IP44* <sup>4</sup>
Installation method	Wall mount (mounting bracket supplied)	Surface mount (mounting base supplied) Flush mount (mount box sold separately)
External material	Flame retardant ABS resin	Flame retardant resin

## VL-SV72AZ

### Model Composition



Model number and name	VL-MV72	VL-V522L
		Main Monitor Station (Main monitor) Extension Monitor
Dimensions (Unit: mm)	<p>Up to 3*1</p> <p>243, 29.5, 100, 54, 158, 104</p>	<p>Up to 2</p> <p>99, 36.5, 131</p>
Power source	Power supply unit (VL-PS241) 24 V DC, 0.4 A	Supplied by the main monitor
Power consumption	Standby: 1.6 W* Operating: 9.8 W* *Measurement conditions: VL-V522L (1 pc.) is connected to the Main Monitor	—
Weight	Main monitor: 710 g Power supply unit (VL-PS241): 215 g	200 g
Operating environment	Ambient temperature: Approx. 0 °C to +40 °C Relative humidity (non-condensing): up to 90 %	Ambient temperature: Approx. -15 °C to +55 °C Relative humidity (non-condensing): up to 90 % (tested up to -20 °C)
Display	7-inch wide colour / WVGA (800 x 480 pixels)	—
Display language	English, Arabic	—
Talking method	Hands-free	Hands-free
Viewing angle	—	Horizontally: Approx. 87° Vertically: Approx. 66°
Image sensor / camera (pixel)	—	CMOS sensor (Approx. 0.3 M pixels)
Minimum illuminance required	—	1 lx (within approx. 50 cm from the camera lens)
Lighting method	—	Warm white coloured LED lights, Infrared LEDs
IP rating / IK rating	—	IPX3* <sup>3</sup>
Installation method	Wall mount (mounting bracket supplied)	Surface mount (mounting base supplied)
External material	Flame retardant ABS resin	Flame retardant ABS resin

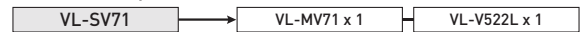
\*1 Not including the main monitor.

\*2 Including AC cable. The weight of the AC cable differs depending on the region.

\*3 Water resistance is only assured if the door station is installed correctly according to the instructions in the Installation Guide, and appropriate water protection measures are taken.

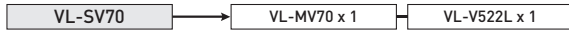
## VL-SV71AZ/BX/CX/CX1/ML/SX/VN

### Model Composition



Model number and name	VL-MV71	VL-V522L
		Main Monitor Station (Main monitor) Extension Monitor
Dimensions (Unit: mm)	<p>Up to 3*1</p> <p>243, 29.5, 100, 54, 158, 104</p>	<p>Up to 2</p> <p>99, 36.5, 131</p>
Power source	220-240 V AC, 50/60 Hz	Supplied by the main monitor
Power consumption	Standby: 2.0 W* Operating: 10.5 W* *Measurement conditions: VL-V522L (1 pc.) is connected to the Main Monitor	—
Weight	VL-MV71AZ: 835 g <sup>2</sup> VL-MV71BX/VN: 825 g <sup>2</sup> VL-MV71CX/CX1/ML: 875 g <sup>2</sup> VL-MV71SX: 850 g <sup>2</sup>	200 g
Operating environment	Ambient temperature: Approx. 0 °C to +40 °C Relative humidity (non-condensing): up to 90 %	Ambient temperature: Approx. -15 °C to +55 °C Relative humidity (non-condensing): up to 90 % (tested up to -20 °C)
Display	7-inch wide colour / WVGA (800x480 pixels)	—
Display language	English, Arabic	—
Talking method	Hands-free	Hands-free
Viewing angle	—	Horizontally: Approx. 87° Vertically: Approx. 66°
Image sensor / camera (pixel)	—	CMOS sensor (Approx. 0.3 M pixels)
Minimum illuminance required	—	1 lx (within approx. 50 cm from the camera lens)
Lighting method	—	Warm white coloured LED lights, Infrared LEDs
IP rating / IK rating	—	IPX3* <sup>3</sup>
Installation method	Wall mount (mounting bracket supplied)	Surface mount (mounting base supplied)
External material	Flame retardant ABS resin	Flame retardant ABS resin

■ Model Composition



Model number and name	VL-MV70	VL-V522L
	Main Monitor Station (Main monitor)	Door Station (Doorphone)
Dimensions (Unit: mm)		
Power source	220-240 V AC, 50/60 Hz	Supplied by the main monitor
Power consumption	Standby: 2.0 W Operating: 10.5 W	—
Dimensions [H x W x D] (Excluding protruding sections)	158 x 243 x 29.5 mm	131 x 99 x 36.5 mm
Weight	VL-MV70BX/VN: 760 g <sup>1</sup> VL-MV70CX/CX1: 810 g <sup>1</sup> VL-MV70SX: 780 g <sup>1</sup>	200 g
Operating environment	Ambient temperature: Approx. 0 °C to +40 °C, Relative humidity (non-condensing): up to 90 %	Ambient temperature: Approx. -15 °C to +55 °C Relative humidity (non-condensing): up to 90 % (tested up to -20 °C)
Display	7-inch wide colour / WVGA (800x480 pixels)	—
Display language	English, Arabic, Vietnamese	—
Talking method	Hands-free	Hands-free
Viewing angle	—	Horizontally: Approx. 87° Vertically: Approx. 66°
Image sensor/camera (pixel)	—	CMOS sensor (Approx. 0.3 M pixels)
Minimum illuminance required	—	1 lx (within approx. 50cm from the camera lens)
Lighting method	—	Warm white coloured LED lights, Infrared LEDs
IP rating / IK rating	—	IPX3 <sup>2</sup>
Installation method	Wall mount (mounting bracket supplied)	Surface mount (mounting base supplied)
External material	Flame retardant ABS resin	Flame retardant ABS resin

\*1 Including AC cable. The weight of the AC cable differs depending on the region.

\*2 Water resistance is only assured if the door station is installed correctly according to the instructions in the Installation Guide, and appropriate water protection measures are taken.



An aerial, top-down view of a dense apartment complex, rendered in a monochromatic blue color scheme. The buildings are arranged in a grid-like pattern with various courtyards and parking areas. Overlaid on this scene is a complex network of glowing white lines and nodes, resembling a fiber-optic or data network, which is most prominent in the lower right quadrant and extends across the middle of the image. The overall aesthetic is modern and technological.

Video Intercom for  
Apartment Complexes

# IP Video Intercom System for Apartment Complexes



Lobby Station

## VL-VN1900

Pure IP lobby station with a colour LCD monitor and wide-angle camera. Elegant design and durable structure with a metallic panel.

### Main Features

- **3.5-inch colour LCD monitor (320x240 pixels)**
  - Displays the resident's name
  - On-screen user guidance
- **Wide angle camera**
  - Wide view of 120 degrees (horizontal), 72 degrees (vertical)
  - Mechanical adjustment (up to +/- 15 degrees vertically)
  - 2.0 M pixels provide a clear image
- **E-lock unlocking function**
  - Unlock the public door by using an IC card (Built-in MIFARE® RFID)
  - Unlock the public door by using a PIN code for each residence

### Other Features

- Strong and elegant exterior with an aluminium panel
- IP55, compliant with IK07
- Phonebook (Room-No., Resident's names)
- Theft detection buzzer
- Lift integration\*

\* A third-party lift controller is required for lift integration. Lift controllers are not available in some areas. For more information, consult your dealer.



Room Monitor

## VL-MN1000

Pure IP room monitor with 7-inch wide LCD and touch screen.

### Main Features

- **7-inch wide LCD with capacitive touch screen**
  - Provides a clear image on the wide screen
  - Accurate and smooth operation via a capacitive touch screen
- **IP camera monitor**
  - Monitors various areas using a Panasonic Network Camera (Supported devices: Panasonic i-PRO series, E-series)
- **Standard PoE is supported**
  - Power can be supplied via Ethernet cable (PoE)
  - Power Supply Unit also available (VL-PS240 is sold separately)

### Other Features

- Video messages from the Lobby Station: up to most recent 50
- Manual recording (videos): up to most recent 50
- Auto/manual recording (still images): up to most recent 100
- E-lock unlocking (both individual and public doors)
- 5 sensor inputs (emergency/urgency button and other sensors) and 1 doorbell input



# One Panasonic Solution

Greater peace of mind with interconnected Panasonic IP products



## IP Camera / Network Camera

### Monitoring



#### ■ Operation Specification

- Codec Format: H.264 (Fixed)
- Image Resolution: 720p (1280x720 pixels) or less
- Frame Rate: 20 fps or less

#### ■ Recommended Models\*

- E-series, i-PRO series

## SIP Phone

### Communication



#### ■ Recommended Model-No.\*

- KX-HDV430 (Video and Audio)
- KX-HDV230 (Audio)
- KX-HDV130 (Audio)

## NVR

### Recording



#### ■ Operation Specification

- Codec Format: H.264 (Fixed)
- Image Resolution: 720p (1280x720 pixels)  
WVGA (800x480 pixels)  
D1 (704x576 pixels)
- Frame Rate: 3/25/30 fps

#### ■ Recommended Models\*

- E-series

\* Consult your certified Panasonic dealer for more information.  
For the latest compatible IP cameras and SIP Phones, visit <http://panasonic.net/pcc/support/intercom/>.



### Door Station

## VL-VN1500

Pure IP door station with a wide-angle camera and RFID reader. Simple and sleek design.

## Main Features

- **Wide-angle camera**
  - Wide view of 113° degrees (horizontal), 69° degrees (vertical)
  - 1.3 M pixels provide a clear image
- **E-lock unlocking function**
  - Unlock the individual doors by using an IC card (Built-in MIFARE RFID)

\* Relay box is required when connecting an E-lock to the door station. (VL-RLY1 is sold separately)
- **Standard PoE is supported**
  - Power can be supplied via Ethernet cable (PoE)
  - Power Supply Unit also available (VL-PS240 is sold separately)

## Other Features

- Night vision with white coloured LED lights
- Theft detection buzzer



### Control Box

## VL-VN1700

Up to 2000 devices\* are supported.  
Panasonic SIP Phone is available in the system.

\* Includes setup tool for mass configuration of 2000 devices

## Main Features

- **Embedded SIP server**
  - Supports 2000 SIP devices (Lobby Station, Door Station, Room Monitor and Panasonic SIP Phone)
- **Voice mail**
  - Voice mails can be issued by the SIP Phone to each room or all rooms

## Other Features

- E-mail notification\*
  - Even if the guard is out, voice mails from residents to the guard station (SIP Phone) can be forwarded via e-mail, enabling quick access to important voice mail

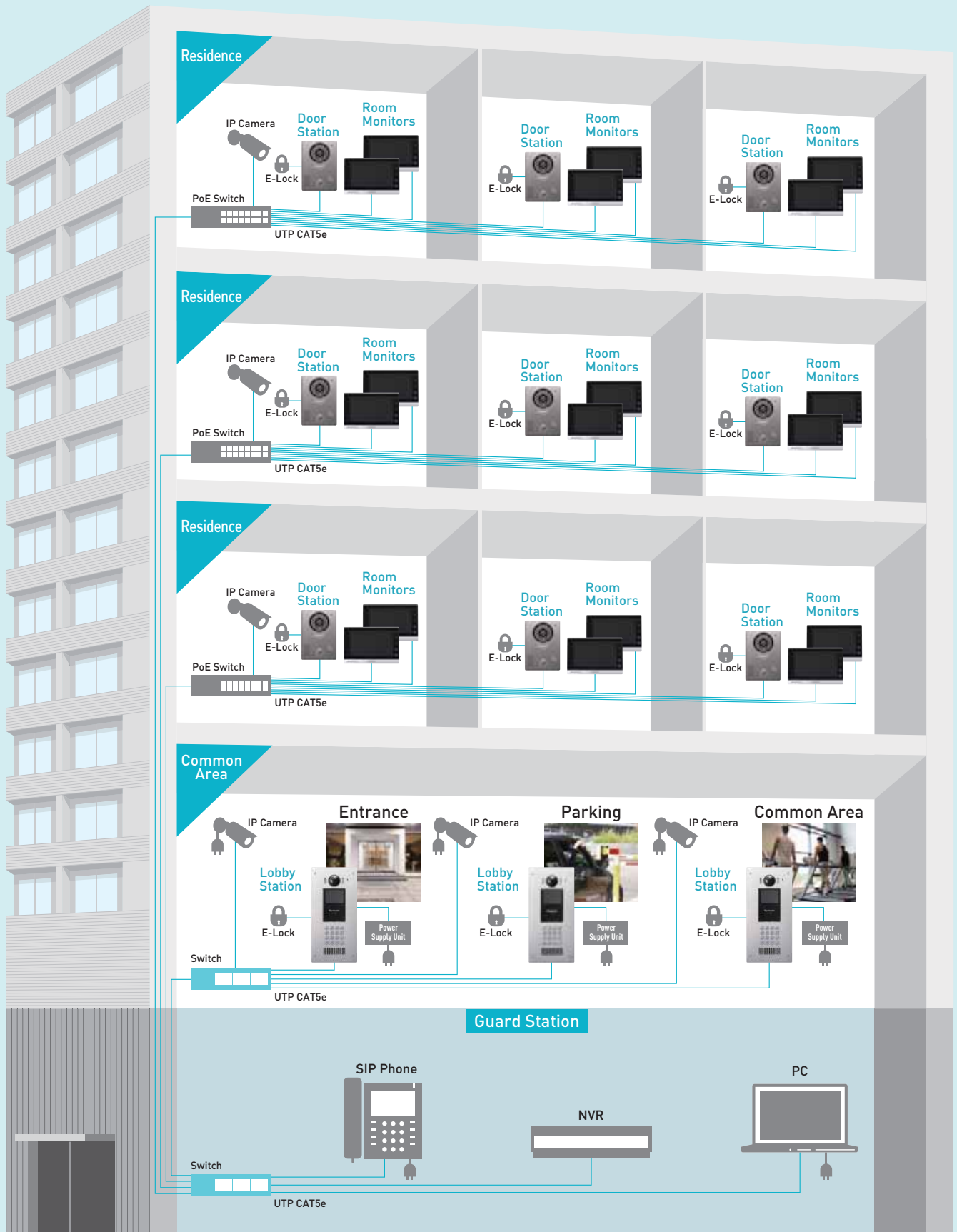
\* an internet connection are required.

# System Diagram of the Apartment System

Support up to 200 devices on a system without a Control Box

## FUNCTION

- 200 SIP devices are supported
- Multiple sessions are supported
- Send text mail from control room to all monitors
- Easy setup by PC tool



# Support up to 2,000 devices on a system with a Control Box

## FUNCTION

- 2,000 SIP devices are supported
- Multiple sessions are supported
- E-mail notification
- Send voice mail from control room to all monitors
- Easy setup by PC tool



# IP Video Intercom System for Apartment Complexes



Lobby Station

## VL-VN1900

Pure IP lobby station with a colour LCD monitor and wide-angle camera. Elegant design and durable structure with a metallic panel.

### Main Features

- **3.5-inch colour LCD monitor (320x240 pixels)**
  - Displays the resident's name
  - On-screen user guidance
- **Wide angle camera**
  - Wide view of 120 degrees (horizontal), 72 degrees (vertical)
  - Mechanical adjustment (up to +/- 15 degrees vertically)
  - 2.0 M pixels provide a clear image
- **E-lock unlocking function**
  - Unlock the public door by using an IC card (Built-in MIFARE® RFID)
  - Unlock the public door by using a PIN code for each residence

### Other Features

- Strong and elegant exterior with an aluminium panel
- IP55, compliant with IK07
- Phonebook (Room-No., Resident's names)
- Theft detection buzzer
- Lift integration\*

\* A third-party lift controller is required for lift integration. Lift controllers are not available in some areas. For more information, consult your dealer.



Room Monitor

## VL-MN1000

Pure IP room monitor with 7-inch wide LCD and touch screen.

### Main Features

- **7-inch wide LCD with capacitive touch screen**
  - Provides a clear image on the wide screen
  - Accurate and smooth operation via a capacitive touch screen
- **IP camera monitor**
  - Monitors various areas using a Panasonic Network Camera (Supported devices: Panasonic i-PRO series, E-series)
- **Standard PoE is supported**
  - Power can be supplied via Ethernet cable (PoE)
  - Power Supply Unit also available (VL-PS240 is sold separately)

### Other Features

- Video messages from the Lobby Station: up to most recent 50
- Manual recording (videos): up to most recent 50
- Auto/manual recording (still images): up to most recent 100
- E-lock unlocking (both individual and public doors)
- 5 sensor inputs (emergency/urgency button and other sensors) and 1 doorbell input

# One Panasonic Solution

Greater peace of mind with interconnected Panasonic IP products



## IP Camera / Network Camera

### Monitoring



#### ■ Operation Specification

- Codec Format: H.264 (Fixed)
- Image Resolution: 720p (1280x720 pixels) or less
- Frame Rate: 20 fps or less

#### ■ Recommended Models\*

- E-series, i-PRO series

## SIP Phone

### Communication



#### ■ Recommended Model-No.\*

- KX-HDV430 (Video and Audio)
- KX-HDV230 (Audio)
- KX-HDV130 (Audio)

## NVR

### Recording



#### ■ Operation Specification

- Codec Format: H.264 (Fixed)
- Image Resolution: 720p (1280x720 pixels)  
WVGA (800x480 pixels)  
D1 (704x576 pixels)
- Frame Rate: 3/25/30 fps

#### ■ Recommended Models\*

- E-series

\* Consult your certified Panasonic dealer for more information.  
For the latest compatible IP cameras and SIP Phones, visit <http://panasonic.net/pcc/support/intercom/>.



### Door Station

## VL-VN1500

Pure IP door station with a wide-angle camera and RFID reader. Simple and sleek design.



### Control Box

## VL-VN1800

Supports up to 2000 SIP devices. Up to 5 control boxes (up to 10000 SIP devices) can be supported on a system.

\* Includes setup tool for mass configuration.

## Main Features

- **Wide-angle camera**
  - Wide view of 113° degrees (horizontal), 69° degrees (vertical)
  - 1.3 M pixels provide a clear image
- **E-lock unlocking function**
  - Unlock the individual doors by using an IC card (Built-in MIFARE RFID)
  - \* Relay box is required when connecting an E-lock to the door station. (VL-RLY1 is sold separately)
- **Standard PoE is supported**
  - Power can be supplied via Ethernet cable (PoE)
  - Power Supply Unit also available (VL-PS240 is sold separately)

## Other Features

- Night vision with white coloured LED lights
- Theft detection buzzer

## Main Features

- **Embedded SIP server**
  - Supports 2000 SIP devices (Lobby Station, Door Station, Room Monitor and Panasonic SIP Phone)
- **Mobile Remote**
  - Remote visitor answering while checking visitor's live image

## Other Features

- Voice mail
  - Voice mails can be issued by the SIP Phone to each room or all rooms
  - E-mail notification\*
  - Even if the guard is out, voice mails from residents to the guard station (SIP Phone) can be forwarded via e-mail
- \* an internet connection are required.

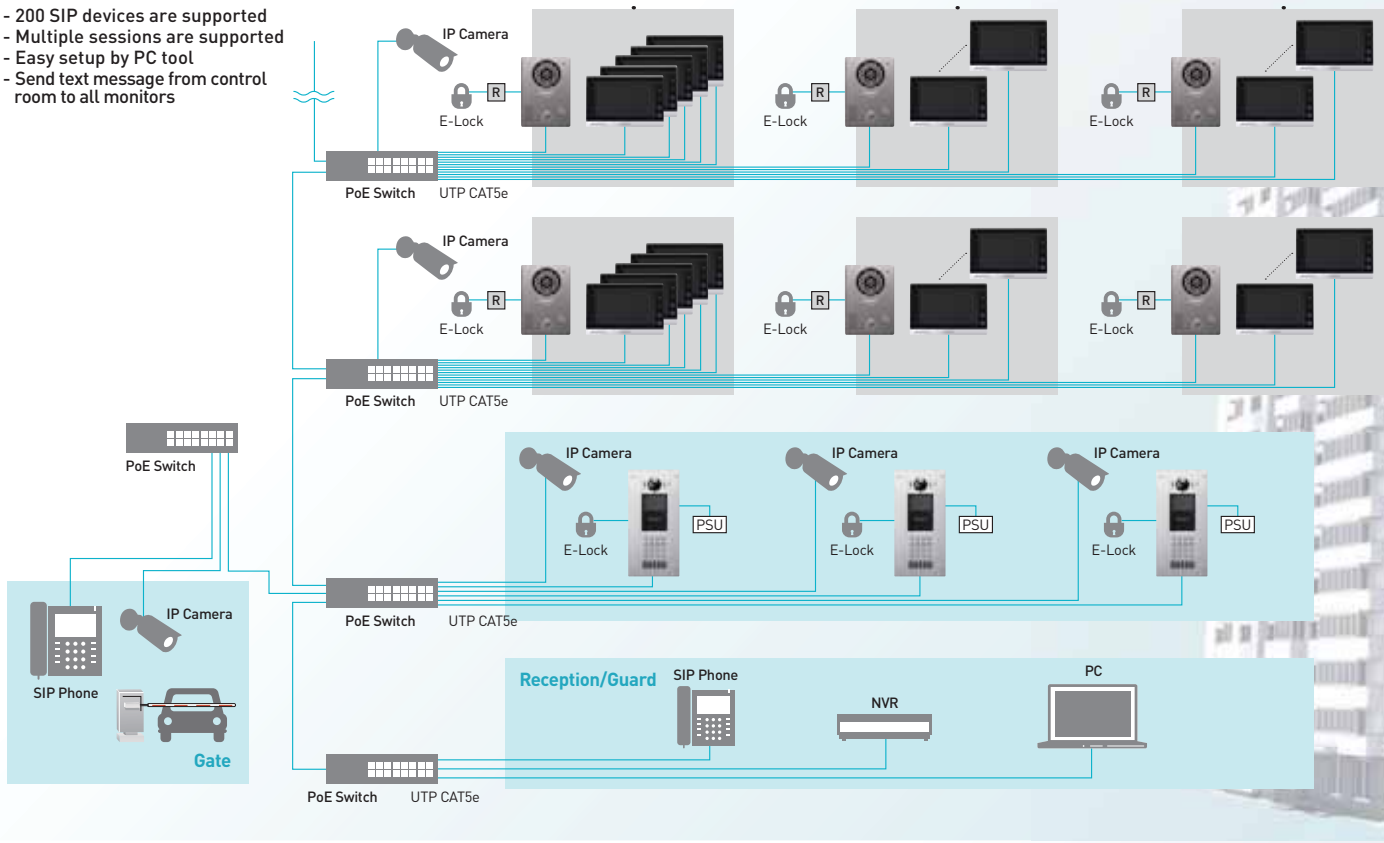
# System Diagram of the IP Apartment System

Up to 200 SIP devices

Support up to 200 devices on a system without a Control Box

## FUNCTION

- 200 SIP devices are supported
- Multiple sessions are supported
- Easy setup by PC tool
- Send text message from control room to all monitors

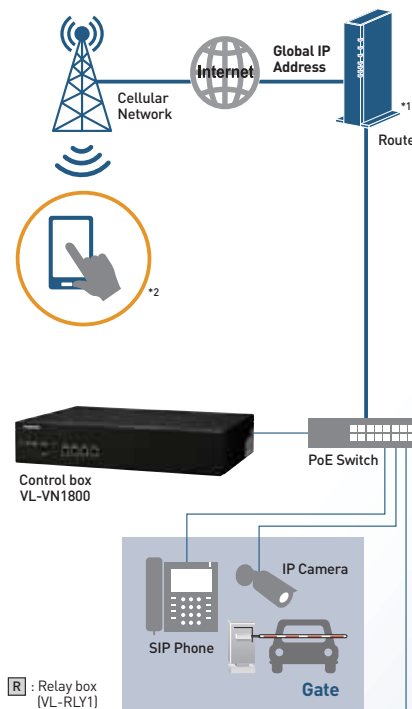
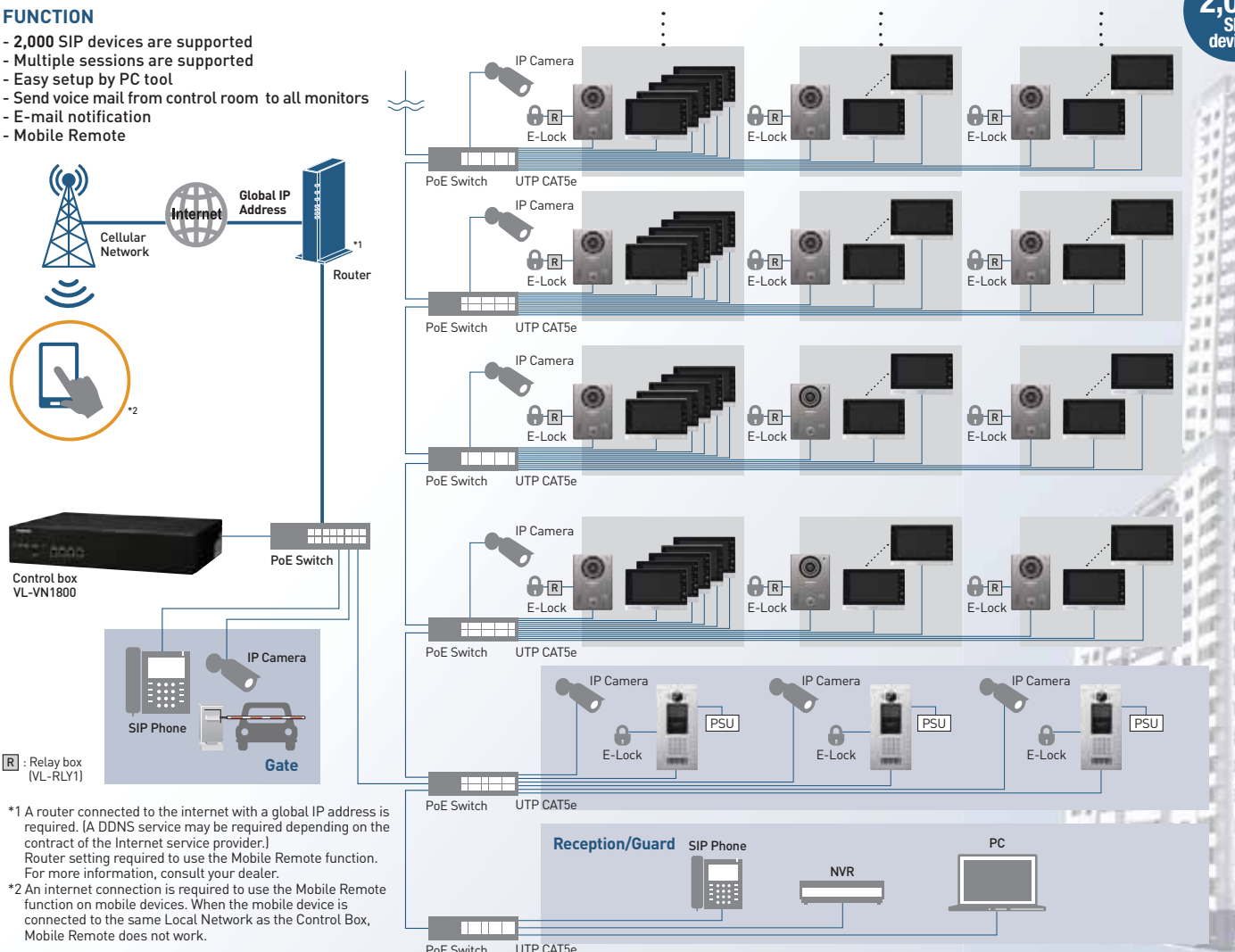


Support up to 2,000 devices on a system with a Control Box

Up to 2,000 SIP devices

## FUNCTION

- 2,000 SIP devices are supported
- Multiple sessions are supported
- Easy setup by PC tool
- Send voice mail from control room to all monitors
- E-mail notification
- Mobile Remote

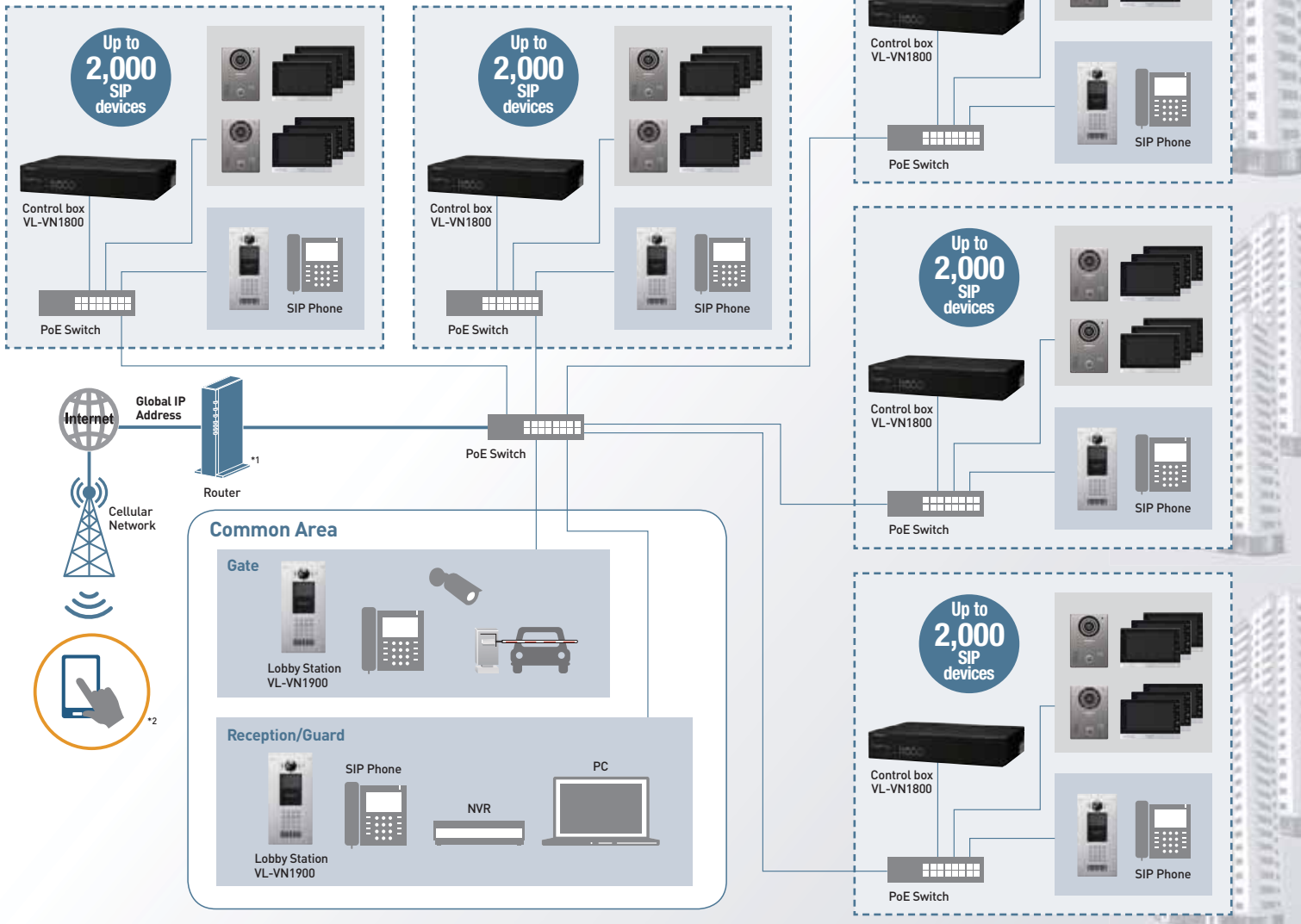


\*1 A router connected to the internet with a global IP address is required. [A DDNS service may be required depending on the contract of the Internet service provider.] Router setting required to use the Mobile Remote function. For more information, consult your dealer.  
 \*2 An internet connection is required to use the Mobile Remote function on mobile devices. When the mobile device is connected to the same Local Network as the Control Box, Mobile Remote does not work.

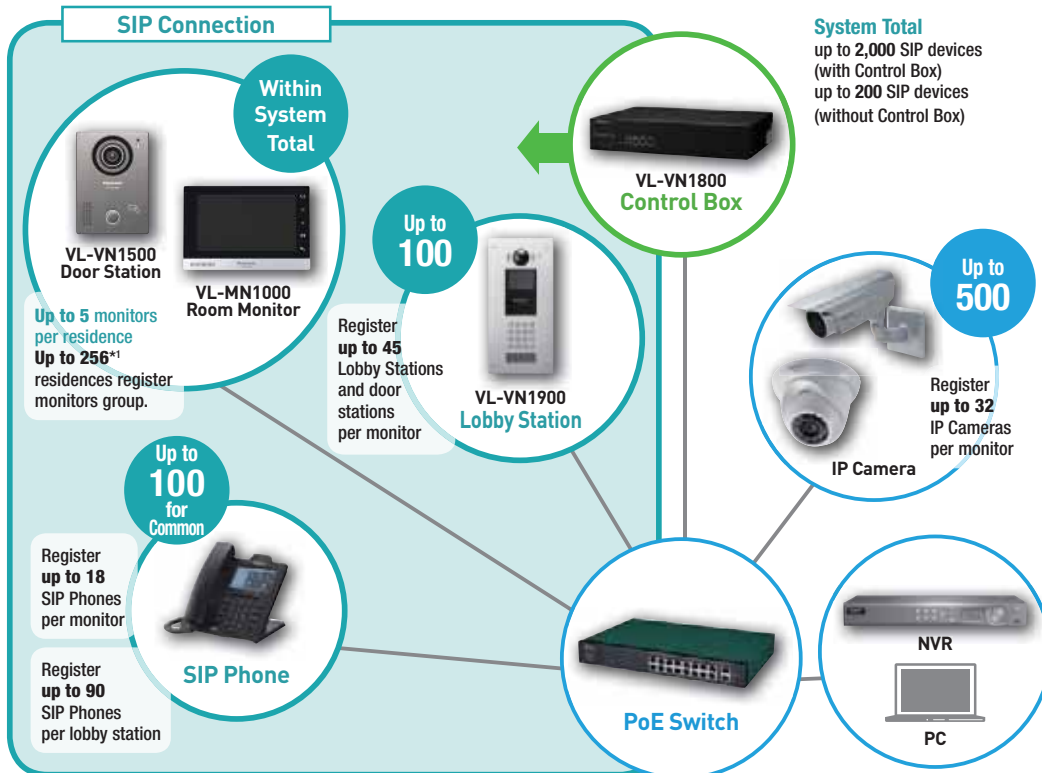
# Support up to 10,000 devices on a system with 5 Control Boxes

## FUNCTION

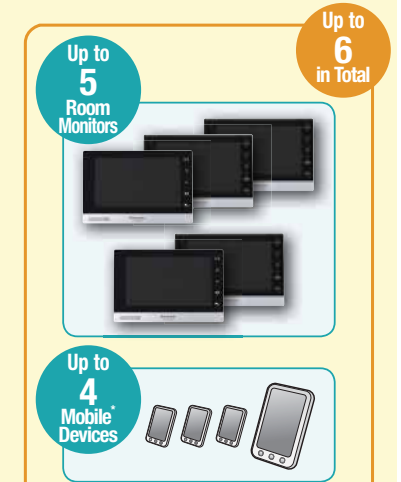
- 10,000 SIP devices are supported
- Multiple sessions are supported
- Easy setup by PC tool
- Mobile Remote
- E-mail notification
- Send voice mail from control room to all monitors  
(When multiple Control Boxes are installed, a message must be left on each Control Box.)



## Maximum connectable number of devices per Control Box



## Maximum connectable number of monitors per Residence



\*Compatible mobile devices: iPhone 5s and later, iPad Air and later (iOS 10 and later) / Android™ devices (Android 4.4 and later), as of June 2019  
Up to 4 mobile devices can be registered per residence (room number). (Up to 4 mobile devices can be counted as 1 SIP device.)  
In order to use the Mobile Remote app on your mobile devices, you must register them in the Control Box through the room monitor.  
For information about downloading and installing the app, please visit <https://panasonic.net/cns/pcc/support/intercom/>



# IP Video Intercom System for Apartment Complexes

App. for mobile device

## Mobile Intercom\*1

The Video Intercom function can be used on your mobile devices without a Room monitor, both inside and outside home. [Activation Keys are required.]

- Answer visitors while checking visitor's live image
- Push message with visitor's image
- Release the electric lock while talking
- Allow visitors to enter the lobby and lift\*2
- Monitor cameras (lobby stations, door stations, IP cameras)
- Answer the call while viewing images from the IP camera when receiving a call from the SIP phone linked to the IP camera
- View history logs in chat form (incoming calls)
- Call to SIP phone (guard station, reception, etc.)

### Full IP system

A pure IP system  
The Door Station supports PoE (IEEE 802.3af compliant)

### Supports large apartment systems

Up to 2,000 SIP devices on a system  
Up to 10,000 SIP devices on a system (up to 5 Control Boxes on a system)

### Easy installation, convenient maintenance

System settings can be configured in advance using a PC, and uploaded on-site over the network. Detailed settings can be accessed using a web browser.

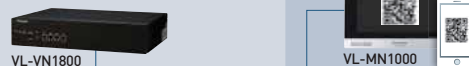
### Noticeboard

Facility staff can send messages (image file) from the utility tool on a PC to the noticeboard of the residents' monitors (room monitors/mobile devices) for quick information dispersal.

## Registration of mobile devices

### For residents WITH room monitor

Mobile devices can be registered through the room monitor.



### For residents WITHOUT room monitor



- Mobile devices can be activated by registering the AKs to the system.
- Up to 2 Mobile devices can be activated per 1 AK. VL-AKA005 (Set of 5 AKs) sold separately.

\*1 Mobile Intercom is a trademark of Panasonic Corporation. When the system is composed of VL-VN1800 control boxes, the functions can be performed by installing the Video Intercom System App on a mobile device. Compatible mobile devices: iPhone 5s and later, iPad Air and later (iOS 10 and later) / Android™ devices (Android 4.4 and later), as of June 2019. Some mobile devices may not be compatible. Supported languages: English, Vietnamese and Indonesian.

\*2 A third-party lift controller is required for lift integration. Lift controllers are not available in some areas. For more information about lift controllers and their installation, consult your dealer.



## Get the App "Video Intercom System"

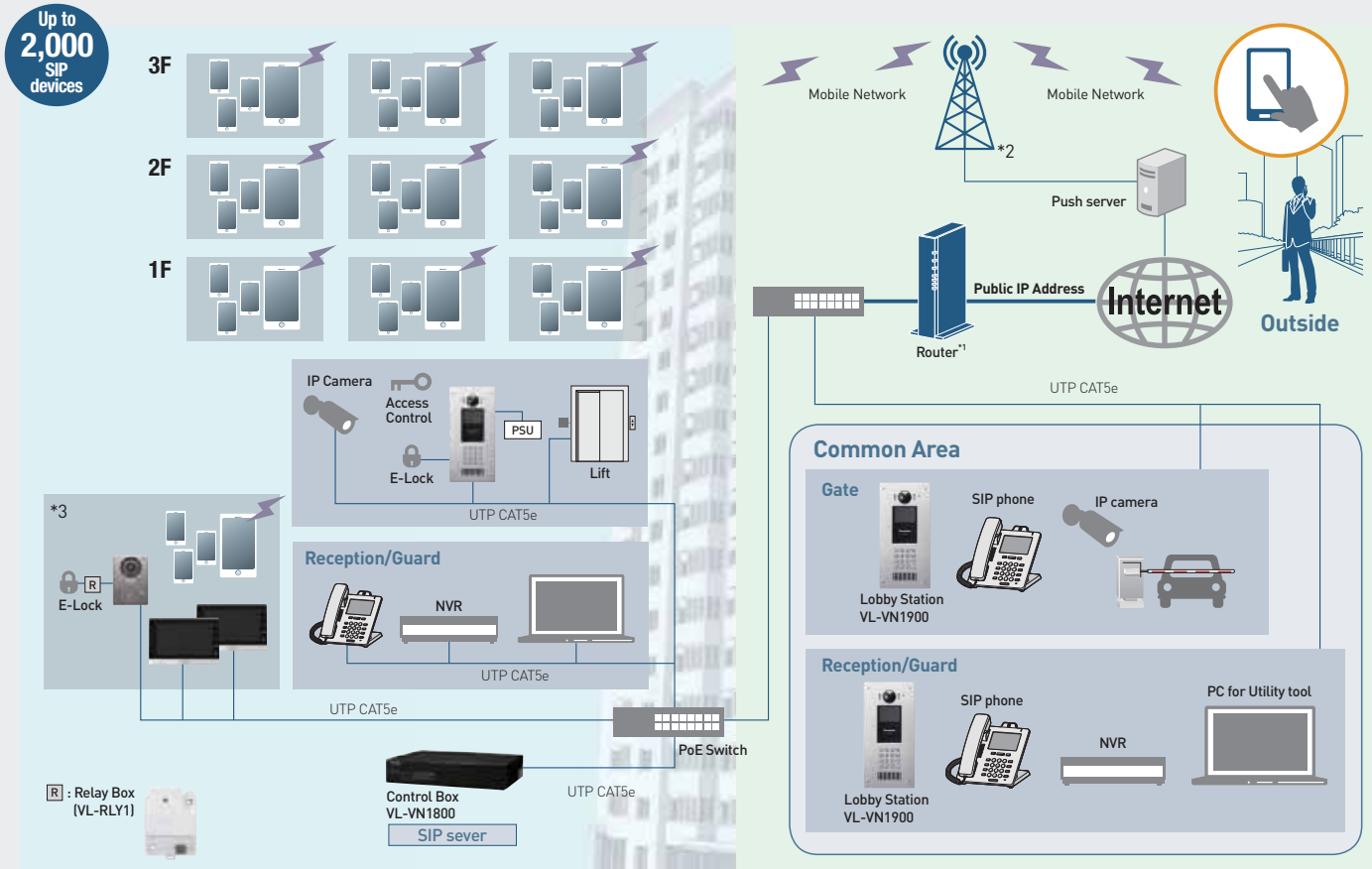




# Support up to 2,000 devices on a system with a Control Box

Internet connection is required

Up to 5 control boxes are included on a system, and up to 10,000 devices are supported with 5 control boxes on a system.



\*1 A router connected to the internet with a public IP address is required. (A DDNS service may be required depending on the contract of the Internet service provider.) Router settings are required to use the Mobile Intercom function. For more information, consult your dealer.

\*2 An internet connection is required to use the Mobile Intercom function on mobile devices. When the mobile device is connected to the same Local Network as the Control box, Mobile Intercom does not work.

\*3 Door station and Room monitor can be installed. If a Room monitor is installed, mobile devices can be register to the system through the Room monitor. In this case, Activation Keys are not required.

## Capacity & Limitation

AK (qty.)	Room No.	AK (Activation Key)				The number of the SIP connection							SIP (qty.)
1	206	none	none	none	none	none	none	none	none	none	none	none	2
1	205	none	none	none	none	none	none	none	none	none	none	none	3
2	204	none	none	none	none	none	none	none	none	none	none	none	2
2	203	SIP phone	none	none	none	none	none	none	none	none	none	none	3
0	202	none	none	none	none	none	none	none	none	none	none	none	3
0	201	none	none	none	none	none	none	none	none	none	none	none	7
SIP:		1	2	3	4	5	6	7					

**Up to 2 Mobile devices per 1 AK**

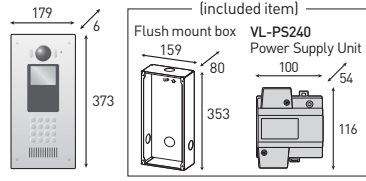
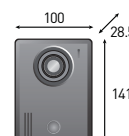
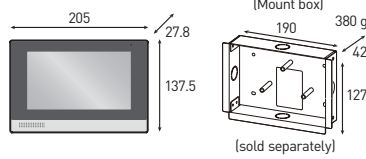
**Up to 4 Mobile devices per 1 SIP**

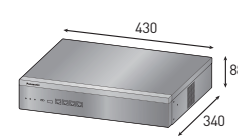
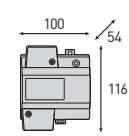
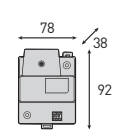
**A Max. of 6 Monitors per Residence**  
Up to 4  
Up to 5



\*4 When using mobile devices, 2 SIP are automatically allocated per residence. (#1) SIP for up to 4 mobile devices connecting (#2) SIP for system management or a Room monitor a SIP phone

# VL-VN1900 series (IP Video Intercom System for Apartment Complexes)

Model number and name	VL-VN1900	VL-VN1500	VL-MN1000
	Lobby Station	Door Station	Room Monitor
Dimensions (Unit: mm)			
Power source	Power supply unit (VL-PS240)	PoE (IEEE 802.3af compliant, Class 2 device) or Power supply unit (VL-PS240 <sup>1</sup> )	PoE (IEEE 802.3af compliant, Class 2 device) or Power supply unit (VL-PS240 <sup>1</sup> )
Power consumption	Standby: 3.5 W, Operating: 8.5 W	PoE: Standby: 2.5 W / Operating: 5.1 W VL-PS240: Standby: 2.6 W / Operating: 6.3 W	PoE: Standby: 1.9 W / Operating: 6.3 W VL-PS240: Standby: 2.1 W / Operating: 6.2 W
Dimensions (H x W x D) (Excluding protruding sections)	373 x 179 x 6 mm (excluding sections embedded into the wall)	141 x 100 x 28.5 mm	137.5 x 205 x 27.8 mm
Weight	1.5 kg	250 g	550 g
Operating environment	Ambient temperature: Approx. -10 °C to +55 °C Relative humidity (non-condensing): up to 90 %	Ambient temperature: Approx. -10 °C to +55 °C Relative humidity (non-condensing): up to 90 %	Ambient temperature: Approx. 0 °C to +40 °C Relative humidity (non-condensing): up to 90 %
Display	3.5-inch colour display (320x240 pixels)	—	7-inch wide colour display with touch screen (800x480 pixels)
Display language	English, Arabic, French, Italian, German, Spanish and Dutch Only user guidance supports multiple language Resident's names are only in English	—	English, Arabic, French, Italian, German, Spanish and Dutch
Talking method	Hands-free	Hands-free	Hands-free
Network interface	10BASE-T/100BASE-TX (Auto MDI/MDI-X)	10BASE-T/100BASE-TX (Auto MDI/MDI-X)	10BASE-T/100BASE-TX (Auto MDI/MDI-X)
Network protocol	TCP/IP, UDP	TCP/IP, UDP	TCP/IP, UDP
Wiring	UTP (cat.5e or higher)	UTP (cat.5e or higher)	UTP (cat.5e or higher)
Card reader (RFID) <sup>2</sup>	13.56 MHz (ISO/IEC 14443 Type A (MIFARE))	13.56 MHz (ISO/IEC 14443 Type A (MIFARE))	—
Expanded interface	Support for electric lock releasing (entrance unlocking) x 1	E-lock x 1 *Relay box VL-RLY1 is required (sold separately)	Sensor input x 5 (including emergency / urgency button)
Viewing angle	Horizontally: Approx. 120°, Vertically: Approx. 72° [15° angle adjusting, vertical only]	Horizontally: Approx. 113°, Vertically: Approx. 69°	—
Image sensor	2.0 M pixels CMOS sensor	1.3 M pixels CMOS sensor	—
Minimum illuminance required	1 lx (within approx. 50 cm from the camera lens)	1 lx (within approx. 50 cm from the camera lens)	—
Lighting method	White coloured LED lights	White coloured LED lights	—
SIP server	Embedded SIP server (up to 200 devices)	—	—
Video / Audio format	Video: H.264, Audio: G.711	Video: H.264, Audio: G.711	Video: H.264, Audio: G.711
IP rating / IK rating	IP55 <sup>3</sup> / Compliant with IK07	IP54 <sup>3</sup> / —	—
Recording	—	—	Internal memory (video with audio can be saved)
Installation method	Flush mount (flush mount box supplied)	Surface mount (mounting base supplied)	Surface mount (mounting bracket supplied) or Flush mount (mount box VL-VN1790 sold separately)
External material	Aluminium	PC+ABS resin	PC+ABS resin
Supported functions	<ul style="list-style-type: none"> <li>• Display a BMP file set by the user (320x220 pixels)</li> <li>• Room numbers using numbers 0 to 9 and letters A to F</li> <li>• Phonebook (Room-No., Resident's name)</li> <li>• Theft detection buzzer</li> <li>• Unlock lobby door via a PIN code or RFID card (MIFARE)</li> <li>• Reception mode (visitor calls are directed to a receptionist)</li> <li>• Recording images of visitors to NVR</li> <li>• Lift integration<sup>4</sup></li> <li>• Register up to 90 SIP Phones<sup>5</sup> per lobby station</li> </ul>	<ul style="list-style-type: none"> <li>• Unlock individual doors via the RFID card (MIFARE)</li> <li>• Theft detection buzzer</li> </ul>	<ul style="list-style-type: none"> <li>• Monitoring through the IP camera</li> <li>• Emergency / Urgency call, Sensor, Doorbell</li> <li>• Intercom calls between monitors (family or neighbours)</li> <li>• Calls to SIP Phones (guard station, reception, etc.)</li> <li>• Register up to 32 IP cameras<sup>6</sup> per monitor</li> <li>• Register up to 18 SIP Phones<sup>7</sup> per monitor</li> <li>• Register up to 45 Lobby Stations<sup>7</sup> and door stations per monitor</li> </ul>

Model number and name	VL-VN1700	Options	
	Control Box	VL-PS240 Power Supply Unit	VL-RLY1 Relay Box
Dimensions (Unit: mm)			
Power source	100-240 V AC, 0.95-0.6 A, 50/60 Hz	Input: 220-240 V AC, 0.2 A (50/60 Hz) Output: 24 V DC, 0.6 A	Supplied by the door station
Power consumption	Under 50 W	—	—
Dimensions (H x W x D) (Excluding protruding sections)	88 x 430 x 340 mm	116 x 100 x 54 mm	92 x 78 x 38 mm
Weight	4.5 kg	230 g	130 g
Operating environment	Ambient temperature: Approx. 0 °C to +40 °C Relative humidity (non-condensing): up to 90 %	Ambient temperature: Approx. 0 °C to +50 °C Relative humidity (non-condensing): up to 90 % (indoor use only)	Ambient temperature: Approx. 0 °C to +40 °C Relative humidity (non-condensing): up to 90 %
Display	—	—	—
Display language	—	—	—
Talking method	—	—	—
Network interface	10BASE-T/100BASE-TX/1000BASE-T (Auto MDI/MDI-X)	—	—
Network protocol	TCP/IP, UDP	—	—
Wiring	UTP (cat.5e or higher)	—	—
Expanded interface	—	—	—
Video / Audio format	—	—	—
Recording	—	—	—
Installation method	Mountable to 19-inch racks	Wall mount or attach to DIN rail	Wall mount or attach to DIN rail
External material	Front Cabinet: ABS, Lower / Upper Cabinet: Steel	Flame retardant PC+ABS resin	Flame retardant ABS resin
Supported functions	<ul style="list-style-type: none"> <li>• Voice mail</li> <li>• E-mail notification</li> <li>• Supports up to 2000 SIP devices (embedded SIP server)</li> </ul>	—	—

<sup>1</sup> VL-PS240 is sold separately.

<sup>2</sup> 50,000 RFID card keys can be registered to each Lobby Station. Each card key must be individually registered / updated ("Issue card", "Lost / Found", and "Delete") to each Lobby Station with which it will be used. There are no batch operations to register / update card keys to multiple Lobby Stations at the same time.

<sup>3</sup> Water resistance is only assured if lobby station/the door station installed correctly according to the instructions in the Operating Instructions, and appropriate water protection measures are taken.

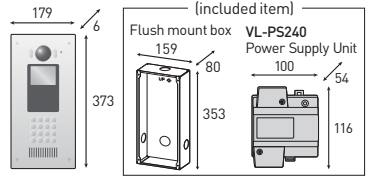
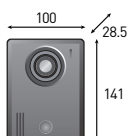
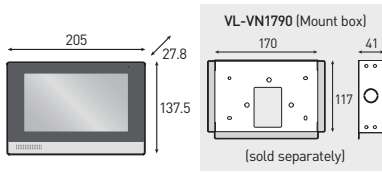
<sup>4</sup> A third-party lift controller is required for lift integration. Lift controllers are not available in some areas. For more information, consult your dealer.

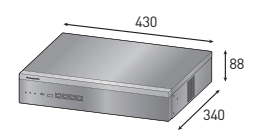
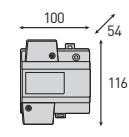
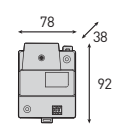
<sup>5</sup> System total up to 500 IP cameras. Consult your dealer for more information.

<sup>6</sup> System total up to 100 SIP phones. Consult your dealer for more information.

<sup>7</sup> System total up to 100 lobby stations. Consult your dealer for more information.

# VL-VN1900 series (IP Video Intercom System for Apartment Complexes)

Model number and name	VL-VN1900	VL-VN1500	VL-MN1000
	Lobby Station	Door Station	Room Monitor
Dimensions (Unit: mm)			
Power source	Power supply unit (VL-PS240)	PoE (IEEE 802.3af compliant, Class 2 device) or Power supply unit (VL-PS240*)	PoE (IEEE 802.3af compliant, Class 2 device) or Power supply unit (VL-PS240*)
Power consumption	Standby: 3.5 W, Operating: 8.5 W	PoE: Standby: 2.5 W / Operating: 5.1 W VL-PS240: Standby: 2.6 W / Operating: 6.3 W	PoE: Standby: 1.9 W / Operating: 6.3 W VL-PS240: Standby: 2.1 W / Operating: 6.2 W
Dimensions (H x W x D) (Excluding protruding sections)	373 x 179 x 6 mm (excluding sections embedded into the wall)	141 x 100 x 28.5 mm	137.5 x 205 x 27.8 mm
Weight	1.5 kg	250 g	550 g
Operating environment	Ambient temperature: Approx. -10 °C to +55 °C Relative humidity (non-condensing): up to 90 %	Ambient temperature: Approx. -10 °C to +55 °C Relative humidity (non-condensing): up to 90 %	Ambient temperature: Approx. 0 °C to +40 °C Relative humidity (non-condensing): up to 90 %
Display	3.5-inch colour display (320x240 pixels)	—	7-inch wide colour display with touch screen (800x480 pixels)
Display language	English, Arabic, French, Italian, German, Spanish, Dutch, Vietnamese and Indonesian Only user guidance supports multiple language Resident's names are only in English	—	English, Arabic, French, Italian, German, Spanish, Dutch, Vietnamese and Indonesian
Talking method	Hands-free	Hands-free	Hands-free
Network interface	10BASE-T/100BASE-TX (Auto MDI/MDI-X)	10BASE-T/100BASE-TX (Auto MDI/MDI-X)	10BASE-T/100BASE-TX (Auto MDI/MDI-X)
Network protocol	TCP/IP, UDP	TCP/IP, UDP	TCP/IP, UDP
Wiring	UTP (cat.5e or higher)	UTP (cat.5e or higher)	UTP (cat.5e or higher)
Card reader (RFID) <sup>2</sup>	13.56 MHz (ISO/IEC 14443 Type A (MIFARE))	13.56 MHz (ISO/IEC 14443 Type A (MIFARE))	—
Expanded interface	Support for electric lock releasing (entrance unlocking) x 1	E-lock x 1 *Relay box VL-RLY1 is required (sold separately)	Sensor input x 5 (including emergency / urgency button)
Viewing angle	Horizontally: Approx. 120°, Vertically: Approx. 72° [15° angle adjusting, vertical only]	Horizontally: Approx. 113°, Vertically: Approx. 69°	—
Image sensor	2.0 M pixels CMOS sensor	1.3 M pixels CMOS sensor	—
Minimum illuminance required	1 lx (within approx. 50 cm from the camera lens)	1 lx (within approx. 50 cm from the camera lens)	—
Lighting method	White coloured LED lights	White coloured LED lights	—
SIP server	Embedded SIP server (up to 200 devices)	—	—
Video / Audio format	Video: H.264, Audio: G.711	Video: H.264, Audio: G.711	Video: H.264, Audio: G.711
IP rating / IK rating	IP55 <sup>3</sup> / Compliant with IK07	IP54 <sup>3</sup> / —	—
Recording	—	—	Internal memory (video with audio can be saved)
Installation method	Flush mount (flush mount box supplied)	Surface mount (mounting base supplied)	Surface mount (mounting bracket supplied) or Flush mount (mount box VL-VN1790 sold separately)
External material	Aluminium	PC+ABS resin	PC+ABS resin
Supported functions	<ul style="list-style-type: none"> <li>• Display a BMP file set by the user (320x220 pixels)</li> <li>• Room numbers using numbers 0 to 9 and letters A to F</li> <li>• Phonebook (Room-No., Resident's name)</li> <li>• Theft detection buzzer</li> <li>• Unlock lobby door via a PIN code or RFID card (MIFARE)</li> <li>• Reception mode (visitor calls are directed to a receptionist)</li> <li>• Recording images of visitors to NVR</li> <li>• Lift integration<sup>4</sup></li> <li>• Register up to 90 SIP Phones<sup>5</sup> per lobby station</li> </ul>	<ul style="list-style-type: none"> <li>• Unlock individual doors via the RFID card (MIFARE)</li> <li>• Theft detection buzzer</li> </ul>	<ul style="list-style-type: none"> <li>• Monitoring through the IP camera</li> <li>• Emergency / Urgency call, Sensor, Doorbell</li> <li>• Intercom calls between monitors (family or neighbours)</li> <li>• Calls to SIP Phones (guard station, reception, etc.)</li> <li>• Register up to 32 IP cameras<sup>6</sup> per monitor</li> <li>• Register up to 18 SIP Phones<sup>7</sup> per monitor</li> <li>• Register up to 45 Lobby Stations<sup>8</sup> and door stations per monitor</li> </ul>

Model number and name	VL-VN1800	Options	
	Control Box	VL-PS240 Power Supply Unit	VL-RLY1 Relay Box
Dimensions (Unit: mm)			
Power source	100-240 V AC, 0.95-0.6 A, 50/60 Hz	Input: 220-240 V AC, 0.2 A (50/60 Hz) Output: 24 V DC, 0.6 A	Supplied by the door station
Power consumption	Under 50 W	—	—
Dimensions (H x W x D) (Excluding protruding sections)	88 x 430 x 340 mm	116 x 100 x 54 mm	92 x 78 x 38 mm
Weight	4.5 kg	230 g	130 g
Operating environment	Ambient temperature: Approx. 0 °C to +40 °C Relative humidity (non-condensing): up to 90 %	Ambient temperature: Approx. 0 °C to +50 °C Relative humidity (non-condensing): up to 90 % (indoor use only)	Ambient temperature: Approx. 0 °C to +40 °C Relative humidity (non-condensing): up to 90 %
Display	—	—	—
Display language	—	—	—
Talking method	—	—	—
Network interface	10BASE-T/100BASE-TX/1000BASE-T (Auto MDI/MDI-X)	—	—
Network protocol	TCP/IP, UDP	—	—
Wiring	UTP (cat.5e or higher)	—	—
Expanded interface	—	—	—
Video / Audio format	—	—	—
Recording	—	—	—
Installation method	Mountable to 19-inch racks	Wall mount or attach to DIN rail	Wall mount or attach to DIN rail
External material	Front Cabinet: ABS, Lower / Upper Cabinet: Steel	Flame retardant PC+ABS resin	Flame retardant ABS resin
Supported functions	<ul style="list-style-type: none"> <li>• Mobile Remote<sup>9</sup></li> <li>• Voice mail</li> <li>• E-mail notification</li> <li>• Supports up to 2000 SIP devices (embedded SIP server)</li> </ul>	—	—

\*1 VL-PS240 is sold separately.

\*2 50,000 RFID card keys can be registered to each Lobby Station. Each card key must be individually registered / updated ("Issue card", "Lost / Found", and "Delete") to each Lobby Station with which it will be used. There are no batch operations to register / update card keys to multiple Lobby Stations at the same time.

\*3 Water resistance is only assured if lobby station/the door station installed correctly according to the instructions in the Operating Instructions, and appropriate water protection measures are taken.

\*4 A third-party lift controller is required for lift integration. Lift controllers are not available in some areas. For more information, consult your dealer.

\*5 System total up to 500 IP cameras. Consult your dealer for more information.

\*6 System total up to 100 SIP phones. Consult your dealer for more information.

\*7 System total up to 100 lobby stations. Consult your dealer for more information.

\*8 Supported languages: English, Vietnamese and Indonesian.

Compatible mobile devices: iPhone 5s and later, iPad Air and later (iOS 10 and later) / Android™ devices (Android 4.4 and later), as of June 2019. Up to 4 mobile devices can be registered per residence (room number). (Up to 4 mobile devices can be counted as 1 SIP device.)

In order to use the Mobile Remote app on your mobile devices, you must register them in the Control Box through the room monitor.

For information about downloading and installing the app, please visit <https://panasonic.net/cns/ppc/support/intercom/>

# Panasonic

VL-V901



## Analogue Video Intercom System for Apartment Complexes



Lobby Station

### VL-V901

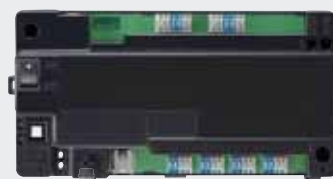
Door station for the public entrance of housing complexes. Destination display, calling, conversation, electric lock

#### Features

- Guidance (simple usage for visitors)
- Wide angle camera : Horizontally: approx. 170°  
Vertically: approx. 110°
- Heat sensor: The backlight of the display and buttons are turned on when a visitor is detected.
- 4.3-inch LCD / white backlit LCD
- Blue / Amber LED backlit buttons
- White coloured LED lights for night colour vision
- Unlock with PIN-code
- Room number and name registration
- Room owner name display

#### Connectable devices

- Security camera
- Electric lock
- Access controller



Control Box

### VL-V700

Device for controlling the entire system

#### Features

- Easy setup (Room number registration)
- Easy connection check  
(Check connections between the control box and main monitor of each room)
- Real time monitoring
- Log (SD card recording)  
Text log: More than 90,000 items (date, caller, receiver, operation, status)  
Image log: Up to 90,000 images (overwrite save) (visitors call)

#### Connectable devices

- PBX
- PC (for program settings)
- Monitor (for real time monitoring)



Distribution Box

# VL-V701

Functions as a distribution box or repeater.  
The function can be switched with a DIP switch.

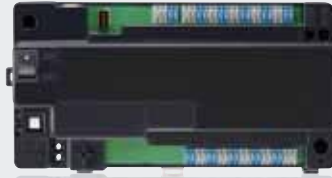
### Role as a distribution box

A distribution box for connecting the control box with the main monitor of each room.

### Role as a repeater box

A repeater box for amplifying the signal when the control box and main monitor are far away from each other.

Only one can be connected between the control box and distribution box #10.



Lift Controller

# VL-V702

Controlling the destination of lifts  
Controlling the destination (floor) of visitors by linking with the lift and lift control box.

### Supported control methods

- 1:1 control (Relay signalling)
- Binary control

\* The supported control method depends on the specifications of the lift and lift control box.  
Contact the lift manufacturer for details.



Extension Box

# VL-V703

Device for extending the lobby stations and control boxes.

### Features

- Extend lobby stations / control boxes
- Up to 6 lobby stations
- Up to 4 control boxes

## Main Monitor Line Up

	VL-MWD272/MWD273, VL-MW274	VL-MV71, VL-MV72/MV72A	VL-MWD275, VL-SV74/MV75	VL-MVN511 <sup>*1</sup>	VL-MV26/VL-MV26A
Power source	VL-MWD272: 220-240 V AC (50/60 Hz) VL-MWD273: Power supply unit (VL-PS241) VL-MW274: 220-240 V AC (50/60 Hz)	VL-MV71: 220-240 V AC (50/60 Hz) VL-MV72/MV72A: Power supply unit <sup>*3</sup>	VL-MWD275AZ: Power supply unit (VL-PS241) others: 220-240 V AC (50/60 Hz) VL-MV74: 220-240 V AC (50/60 Hz) VL-MV75/MV75A: Power supply unit <sup>*3</sup>	Power supply unit (VL-PS240) 24 V DC, 0.5 A	VL-MV26: 220-240 V AC (50/60 Hz) VL-MV26A: Power supply unit <sup>*3</sup>
Power consumption (approx.)	Standby: VL-MWD272: 2.5 W VL-MWD273: 1.8 W VL-MW274: 1.9 W  Operating: VL-MWD272: 10.0 W VL-MWD273: 11.6 W VL-MW274: 10.0 W	VL-MV71: 2.0 W VL-MV72: 1.6 W VL-MV72A: 1.6 W <sup>*4</sup> , 1.7 W <sup>*7</sup>	VL-MWD275AZ: 2.2 W <sup>*4</sup> VL-MWD275B/CX/CX1/ML: 2.9 W <sup>*4</sup> VL-MV74: 2.3 W <sup>*5</sup> VL-MV75AZ/MV75AZA: 1.9 W <sup>*4</sup> , 2.0 W <sup>*7</sup>	1.8 W  10 W	VL-MV26: 1.2 W VL-MV26A: 1.2 W <sup>*4</sup> , 1.3 W <sup>*7</sup>  VL-MV26: 8 W VL-MV26A: 8 W <sup>*4</sup> , 8.1 W <sup>*7</sup>
Operating environment	Ambient temperature: Approx. 0 °C to +40 °C, Relative humidity (Non-condensing): up to 90 %				
Display	7-inch wide colour / WVGA	7-inch wide colour / WVGA	7-inch wide colour / WVGA	5-inch wide colour / WQVGA	3.5-inch colour / QVGA
Display language	English, Arabic	English, Arabic	VL-MWD275: English, Arabic VL-MV74/MV75: English, Arabic, Vietnamese	English, Arabic	English
Frequency range	VL-MWD272/273: 1.88 GHz to 1.90 GHz VL-MW274: 2.402 GHz to 2.481 GHz	-	-	IEEE 802.11 b/g/n 2.4 GHz	-
Installation method	Wall mount (mounting bracket supplied)				
<b>Supported functions</b>					
Door station	1 door station input	1 door station input	1 door station input	1 door station input	-
Doorbell	1 doorbell input	1 doorbell input	1 doorbell input	1 doorbell input	1 doorbell input
Electric lock release support	Up to 2 (for individual x 1, for public x 1)	Up to 2 (for individual x 1, for public x 1)	Up to 2 (for individual x 1, for public x 1)	Up to 3 (for individual x 1 <sup>*8</sup> , for public x 1)	Up to 1 (for public x 1)
Picture recording	Up to 400 images (up to 50 visitors)	Up to 400 images (up to 50 visitors)	Up to 200 images (up to 50 visitors)	Up to 400 images (up to 50 visitors)	Up to 30 images (up to 30 visitors, 1 shot per visitor)
Voice changer	Yes	Yes	Yes	Yes	-
Pan, Tilt, Zoom	Yes (for VL-V901, VL-V554, VL-V555)	Yes (for VL-V901, VL-V554, VL-V555)	Yes (for VL-V901, VL-V554, VL-V555)	Yes (for VL-V901, VL-V554, VL-V555)	-
Wireless monitor	Up to 6 (VL-WD613/WD619) <sup>*9</sup>	-	-	-	-
Extension monitor	Up to 3 (VL-MWD272/273/MW274) <sup>*7</sup>	Up to 3 (VL-MV71/MV72)	Up to 3 (VL-MV74)	-	-
Repeater	Up to 2 (VL-FKD2)	-	-	-	-
Smartphone connect	-	-	-	Up to 4	-
E-mail notification	-	-	-	Up to 4 <sup>*10</sup>	-
Intercom call	Yes (between main, sub and extension monitor)	Yes (between main and extension monitor)	Yes (between main and extension monitor)	-	-
Other functions	• Guard call • Monitor security camera • Emergency call	• Guard call • Monitor security camera • Emergency call	• Guard call • Monitor security camera • Emergency call	• Guard call • Monitor security camera • Emergency call	• Guard call <sup>*11</sup> • Monitor security camera • Emergency call <sup>*11</sup>

\*1 Monitor (VL-MVN511) is not sold as a single unit in some area. \*2 Power supply unit (VL-PS241) is included with VL-SVN511AZ/BX, VL-PS240 is included with VL-SVN511EX, VL-MVN511BX/EX.

\*3 VL-MV72A AZ/BX/VN, VL-MV75AZA, VL-MV26A BX: Power supply unit is sold separately. \*4 Measurement conditions: VL-V524L (1 pc.) and VL-WD619 (1 pc.) are connected to VL-MWD275.

\*5 Measurement conditions: VL-V524L (1 pc.) is connected to the Main Monitor. \*6 Measurement conditions: Monitor (1 pc.) is connected to VL-PS240/VL-PS241.

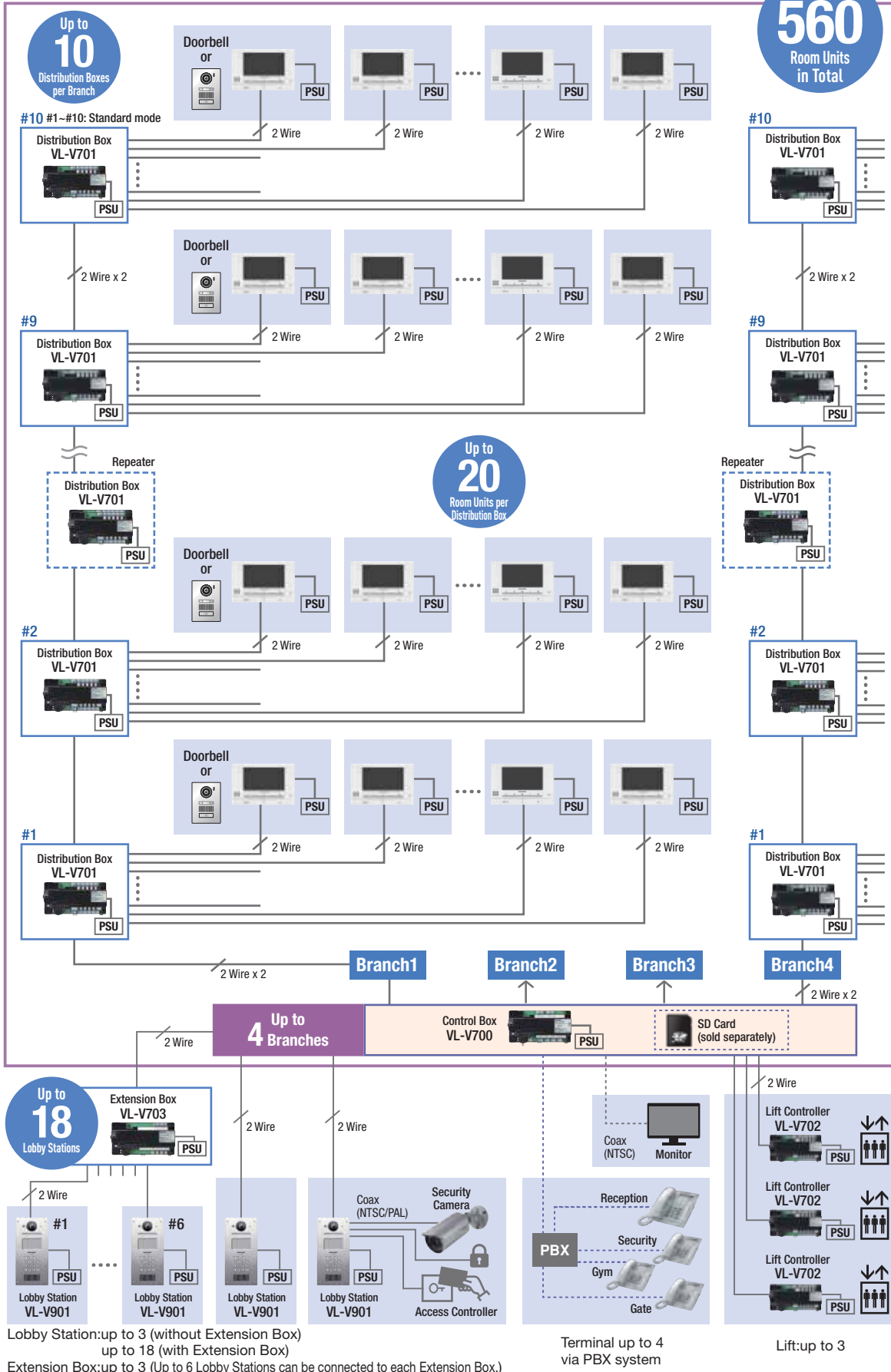
\*7 Measurement conditions: Monitor (1 pc.) is connected to VL-PS2410. \*8 VL-RLY1 is required. (VL-RLY1 is included with VL-SVN511, but not included with VL-MVN511.)

\*9 Up to 6 additional monitors (Extension monitor/Wireless sub monitor) can be connected. (\*up to 3 of extension monitors)

\*10 The main monitor must be connected to a wireless router that is connected to the Internet in order to use email feature. \*11 Either one can be connected.

# Basic System

Each Branch connects up to 10 Distribution Boxes  
 Each Distribution Box connects up to 20\* Room Units (\*Room units: up to 560 for each control box)



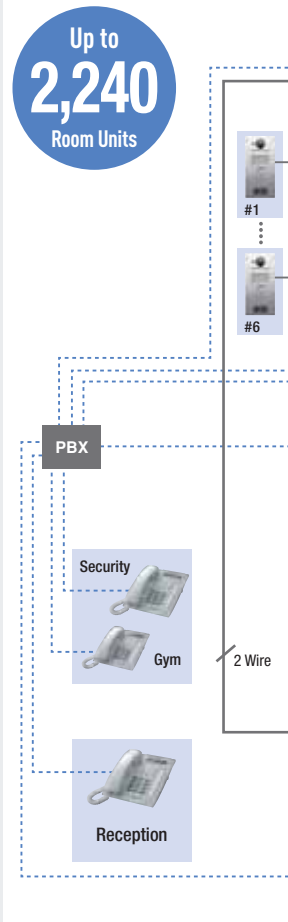
Lobby Station: up to 3 (without Extension Box)  
 up to 18 (with Extension Box)  
 Extension Box: up to 3 (Up to 6 Lobby Stations can be connected to each Extension Box.)

- Extension Boxes do not operate as repeaters that allow longer distances between the Control Box and Lobby Stations.
- Lobby Stations (VL-V901) connected to Extension Boxes (VL-V703) cannot be called from the main monitors or terminals.

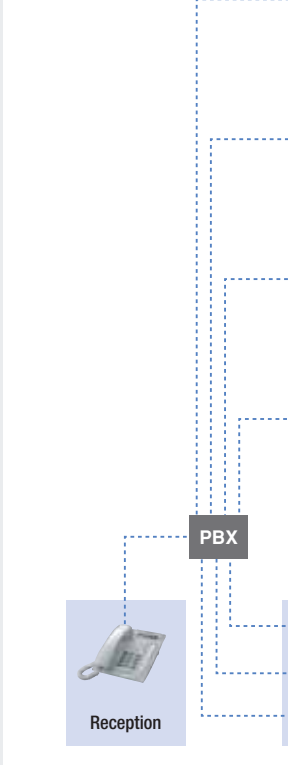
## Wiring Distance \*Use PE (polyethylene)-insulated cables.

Wiring run	Wire diameter	
	0.65 mm (22 AWG)	1.2 mm (17 AWG)
Control Box - (Extension Box) - Lobby Station	100 m	200 m
Control Box - The furthest Distribution Box (Standard Mode)	100 m	200 m
Distribution Box (Standard Mode) - Main Monitor	100 m	200 m

# Expanded System

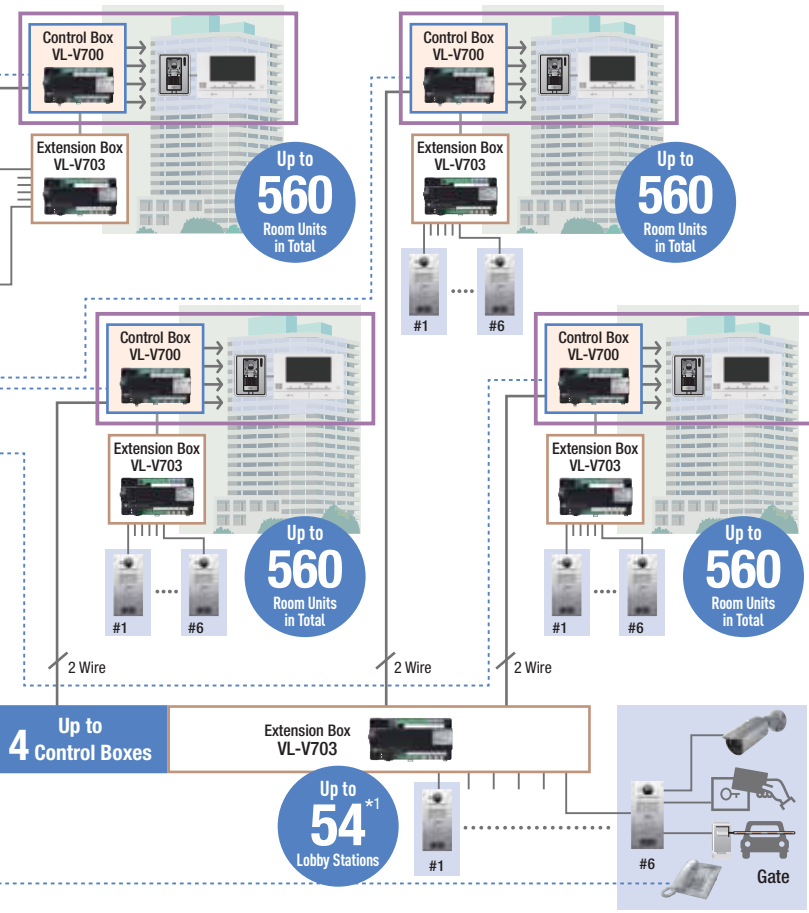


# Expanded System



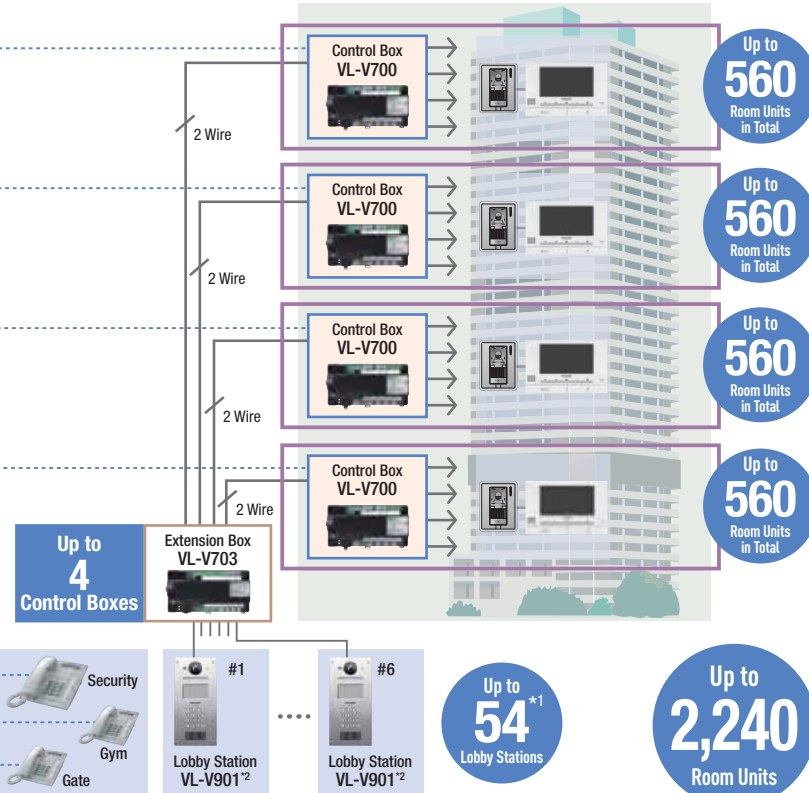
\*1 There are usage restrictions when connect  
 \*2 When a visitor calls a resident from the Lo needs to enter the building number before

## for Multi building



## for Large scale building

There are restrictions<sup>\*2</sup> on the system



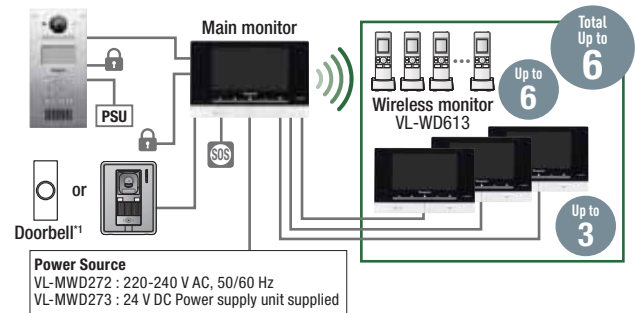
ing more than 19 Lobby Stations. Consult your certified Panasonic dealer for more information.  
 bby Station on a system with multiple Control Boxes installed in one building, even though there is only one building, the visitor  
 entering the room number.

Wire diameter	
0.65 mm (22 AWG)	1.2 mm (17 AWG)
100 m	200 m
100 m	200 m
100 m	200 m

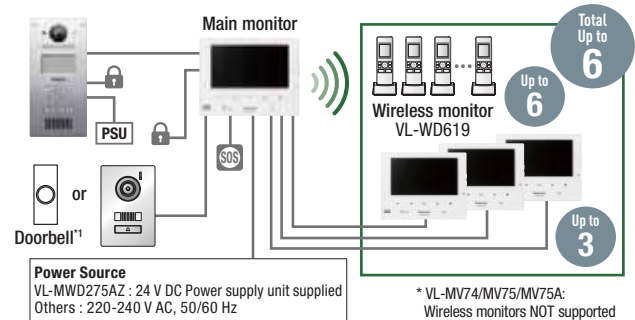
- Power Supply Unit (VL-PS240/PS241)
- Emergency button
- E-Lock

## Monitor Lineup

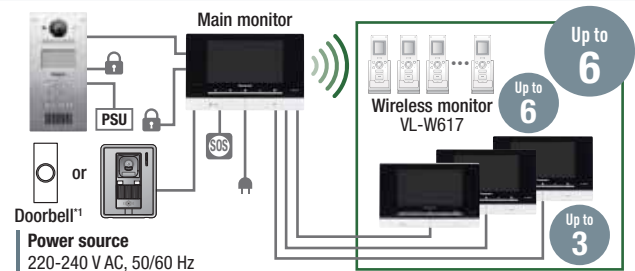
### VL-MWD273/VL-MWD272



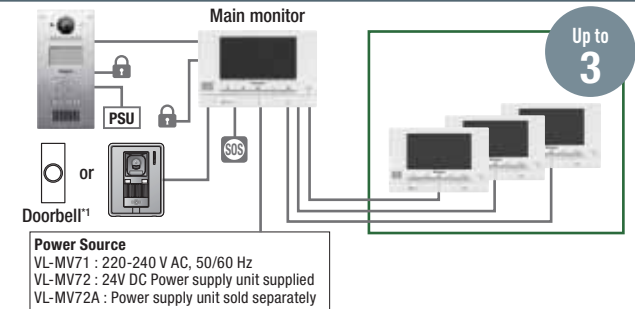
### VL-MWD275/VL-MV74/VL-MV75/VL-MV75A



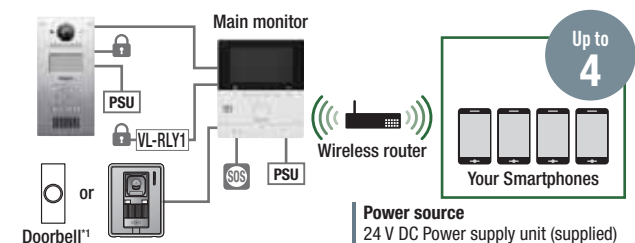
### VL-MW274



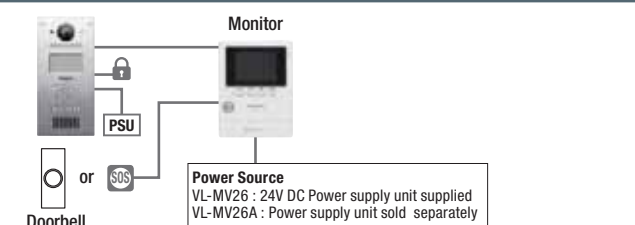
### VL-MV71/VL-MV72/VL-MV72A<sup>\*2</sup>



### VL-MVN511

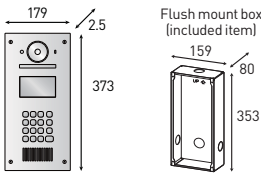
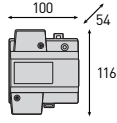


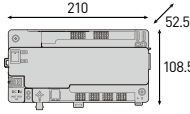
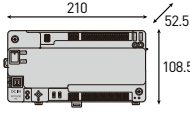
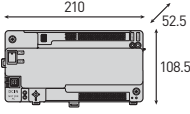
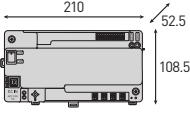
### VL-MV26/VL-MV26A<sup>\*2</sup>



<sup>\*1</sup> Doorbell connect to the option input. <sup>\*2</sup> VL-MV72A/VL-MV26A: Power supply unit is sold separately.

# VL-V901 series (Analogue Video Intercom System for Apartment Complexes)

Model number and name	VL-V901	
	Lobby Station	Power Supply Unit [VL-PS240]
Dimensions (Unit: mm)		
Power source	Power supply unit [VL-PS240] 24 V DC, 0.2 A	Input: 220-240 V AC, 0.2 A (50/60 Hz) Output: 24 V DC, 0.6 A
Power consumption	Standby: 1.9 W Operating: 4.5 W	—
Dimensions (H x W x D) (Excluding protruding sections)	373 x 179 x 2.5 mm (excluding sections embedded into the wall)	116 x 100 x 54 mm
Weight	2.0 kg	230 g
Operating environment	Ambient temperature: Approx. -10 °C to +55 °C Relative humidity (non-condensing): up to 90 %	Ambient temperature: Approx. 0 °C to +50 °C Relative humidity (non-condensing): up to 90 % (indoor use only)
Display	4.3-inch monochrome display (white backlit LCD)	—
Display language	English	—
Talking method	Hands-free	—
Expanded interface	Support for electric lock releasing (entrance unlocking) x 1 VIDEO-IN (recommended Panasonic security camera) x 1	—
Viewing angle	Horizontally: Approx. 170° Vertically: Approx. 110°	—
Image sensor	(1/4 inch) CMOS sensor (approx. 1.0 M pixels)	—
Minimum illuminance required	1 lx (within approx. 50 cm from the camera lens)	—
Lighting method	White coloured LED lights	—
IP rating / IK rating	IP55 <sup>*1</sup> / Compliant with IK07	—
Installation method	Flush mount (flush mount box supplied)	Wall mount or attach to DIN rail
External material	High corrosion resistant stainless steel (SUS316), partially ABS and PC	Flame retardant PC+ABS resin
Supported functions	<ul style="list-style-type: none"> <li>• Guidance (simple usage for visitors)</li> <li>• Night colour vision (white coloured LED lights)</li> <li>• Heat sensor: The backlight of the display and buttons are turned on when a visitor is detected</li> <li>• Display the resident's names</li> <li>• Unlock with PIN-code</li> </ul>	—

Model number and name	VL-V700	VL-V701	VL-V702 <sup>*2</sup>	VL-V703
	Control Box	Distribution Box / Repeater Box	Lift Controller	Extension Box
Dimensions (Unit: mm)				
Power source	Power supply unit [VL-PS240] 24 V DC, 0.2 A	Power supply unit [VL-PS240] 24 V DC, 0.1 A	Power supply unit [VL-PS240] 24 V DC, 0.2 A	Power supply unit [VL-PS240] 24 V DC, 0.1 A
Power consumption	Standby: 3.5 W Operating: 3.7 W	Standby: 1.2 W Operating: 2.0 W	Standby: 0.4 W Operating: 4.4 W	Standby: 1.5 W Operating: 1.5 W
Dimensions (H x W x D) (Excluding protruding sections)	108.5 x 210 x 52.5 mm			
Weight	400 g		350 g	
Operating environment	Ambient temperature: -10 °C to +50 °C Relative humidity (non-condensing): up to 90 % (indoor use only)			
Installation method	Wall mount or attach to DIN rail			
External material	ABS (flame retardant ABS resin)			
Log	Save the text logs and visitors' images in the SD card (sold separately) Text logs: More than 90,000 items Images: Up to 90,000 images	—	—	—
Supported functions	USB connection (provide PC application/English) <ul style="list-style-type: none"> <li>• date and time setting</li> <li>• set the room number to the monitor</li> <li>• estimate the status of the equipment in the system</li> <li>• operation setting (terminal, pass code, and so on.)</li> </ul> SD card (SDHC/SDXC): Log function VIDEO OUTPUT (NTSC) RJ-11: Connect with PBX system	Dip switch <ul style="list-style-type: none"> <li>• Mode change (Distribution mode/Repeater mode)</li> <li>• Termination setting (Normal/Termination)</li> <li>• ID setting (1-10)</li> </ul>	Supported control methods <ul style="list-style-type: none"> <li>• 1:1 control (Relay signalling)</li> <li>• Binary control</li> </ul>	Extend lobby stations / control boxes <ul style="list-style-type: none"> <li>• Up to 6 lobby stations</li> <li>• Up to 4 control boxes</li> </ul>

\*1 Water resistance is only assured if the lobby station is installed correctly according to the instructions in the Installation Guide, and appropriate water protection measures are taken.

\*2 The supported control method depends on the specifications of the lift and lift control box. Contact the lift manufacturer for details.





Video Intercom for  
Small Size Apartment

# Video Intercom Multi Door System for Small Size Apartment



## Module Lineup

**VL-VM101**  
Camera Module



**VL-VM301**  
1-Button Module



**VL-VM302**  
2-Button Module



**VL-VM303**  
3-Button Module



**VL-VM304**  
4-Button Module



**VL-VM901**  
Blank Panel



**VL-VM801**  
Extension Cable (1 m, 15 g)



**VL-VM502 / VM503**  
Surface Mount Cover  
(Small type / Large type)



**VL-VM602 / VM603**  
Back Box  
(Small type / Large type)



**VL-PS2410**  
Power Supply Unit (2.5A type)



**VL-PS240**  
Power Supply Unit (0.6A type)



## Main Features

### Freely mix and match

A flexible system that accommodates up to 32 rooms can be designed by combining call button modules.



### Easy-to-see and use call buttons

The large call buttons with integrated nameplate and backlight make it visible in the dark and enhance its operability and visibility.



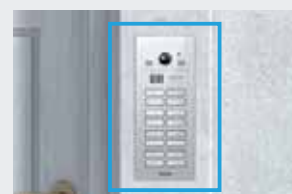
### Front access name plate

While our unique front-access nameplates are easily removed by hand, front access can also be prohibited with screws.

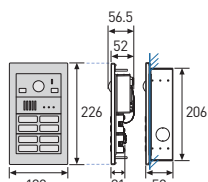
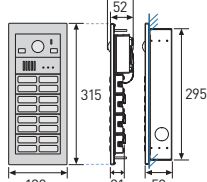
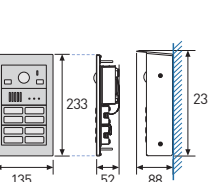
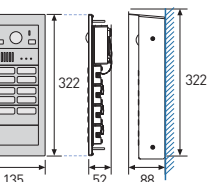


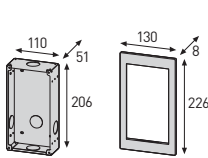
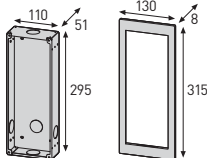
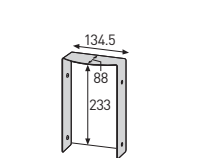
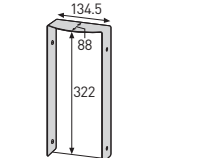
### Compact design

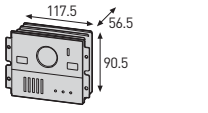
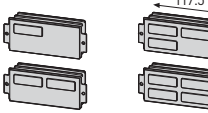
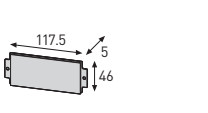
Its compact design allows it to be installed in a variety of locations.

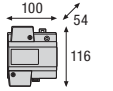
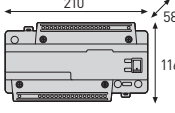


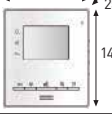
# Specifications

Lobby Station	Flush mount (Small type)	Flush mount (Large type)	Surface mount (Small type)	Surface mount (Large type)
Composition	VL-VM101 x 1pc.	VL-VM101 x 1pc.	VL-VM101 x 1pc.	VL-VM101 x 1pc.
	VL-VM304 x 2pcs.	VL-VM304 x 4pcs.	VL-VM304 x 2pcs.	VL-VM304 x 4pcs.
	VL-VM602 x 1pc. (Small type)	VL-VM603 x 1pc. (Large type)	VL-VM602 x 1pc. (Small type)	VL-VM603 x 1pc. (Large type)
Dimensions (H x W x D) (Excluding protruding sections)	226 x 130 x 9 mm <sup>1</sup> 	315 x 130 x 9 mm <sup>1</sup> 	233 x 135 x 89 mm 	322 x 135 x 89 mm 
Weight	1.3 kg	1.8 kg	1.7 kg	2.2 kg
Power source	Power supply unit (sold separately): VL-PS240 or VL-PS2410			
Power consumption	Refer to "Power Supply Unit Estimate" on the next page			

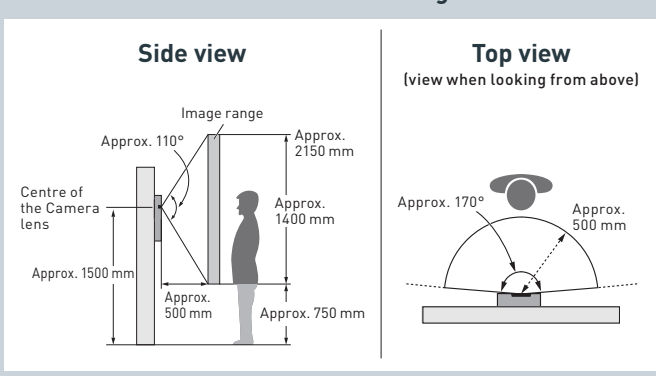
Model number and name	VL-VM602	VL-VM603	VL-VM502	VL-VM503
	Back Box (Small type)	Back Box (Large type)	Surface Mount Cover (Small type)	Surface Mount Cover (Large type)
Dimensions (H x W x D) (Excluding protruding sections)	226 x 130 x 59 mm 	315 x 130 x 59 mm 	233 x 134.5 x 88 mm 	322 x 134.5 x 88 mm 
Weight	VL-VM602: 720 g	VL-VM603: 930 g	VL-VM502: 355 g	VL-VM503: 445 g
Operating environment	Ambient temperature: Approx -15 °C to +55 °C, Relative humidity (non-condensing): Up to 90 %		Ambient temperature: Approx -15 °C to +55 °C, Relative humidity (non-condensing): Up to 90 %	
External material	Aluminium and Steel (SPCC)		Stainless steel (SUS304)	

Model number and name	VL-VM101	VL-VM301/302/303/304	VL-VM901
	Camera Module	Button Module	Blank Panel
Dimensions (H x W x D) (Excluding protruding sections)	90.5 x 117.5 x 56.5 mm 	46 x 117.5 x 40 mm 	46 x 117.5 x 5 mm 
Weight	315 g	120 g	50 g
Operating environment	Ambient temperature: Approx -15 °C to +55 °C, Relative humidity (non-condensing): Up to 90 %		
Talking method	Hands-free	-	-
View angle	Horizontally: Approx. 170° Vertically: Approx. 110°	-	-
IP rating / IK rating	IP55 <sup>2</sup> / Compliant with IK08		
Image sensor	(1/4 inch) CMOS sensor (approx. 1.0 M pixels)	-	-
Minimum illuminance required	1 lx (within approx. 50 cm from the camera lens)	-	-
Lighting method	White coloured LED lights	-	-
External material	Aluminium (partially PC and ABS)	Aluminium (partially PC and ABS)	Aluminium

Model number and name	VL-PS240	VL-PS2410
	Power Supply Unit (0.6A type)	Power Supply Unit (2.5A type)
Dimensions (H x W x D) (Excluding protruding sections)	116 x 100 x 54 mm 	116 x 210 x 58 mm 
Power source	Input: 220-240 V AC, 0.2 A (50/60 Hz) Output: 24 V DC, 0.6 A	Input: 220-240 V AC, 1 A (50/60 Hz) Output: 24 V DC, 2.5 A
Power consumption	-	-
Weight	230 g	530 g
Operating environment	Ambient temperature: Approx. 0 °C to +50 °C Relative humidity (non-condensing): up to 90 % (indoor use only)	Ambient temperature: Approx. 0 °C to +50 °C, Relative humidity (non-condensing): Up to 90 %
External material	Flame retardant PC+ABS resin	

Model number and name	VL-MV10
	Monitor
Dimensions (H x W x D) (Excluding protruding sections)	149 x 130 x 25 mm 
Power source	Supplied by the bus line (from a distributor or a lobby station)
Power consumption	Refer to "Power Supply Unit Estimate" on the next page
Weight	270 g
Operating environment	Ambient temperature: Approx. 0 °C to +40 °C, Relative humidity (non-condensing): up to 90 %
Display	3.5-inch colour / QVGA (320x240 pixels)
External material	Flame retardant ABS
Supported functions	
Electric lock release support	Up to 1 (for Lobby Station)
Pan, Tilt, Zoom	with 3 mode PAN (for VL-VM101)
Monitoring outside	-
Expanded interface	Doorbell input x 1, A contact output x 1

## Installation Position and Camera Range

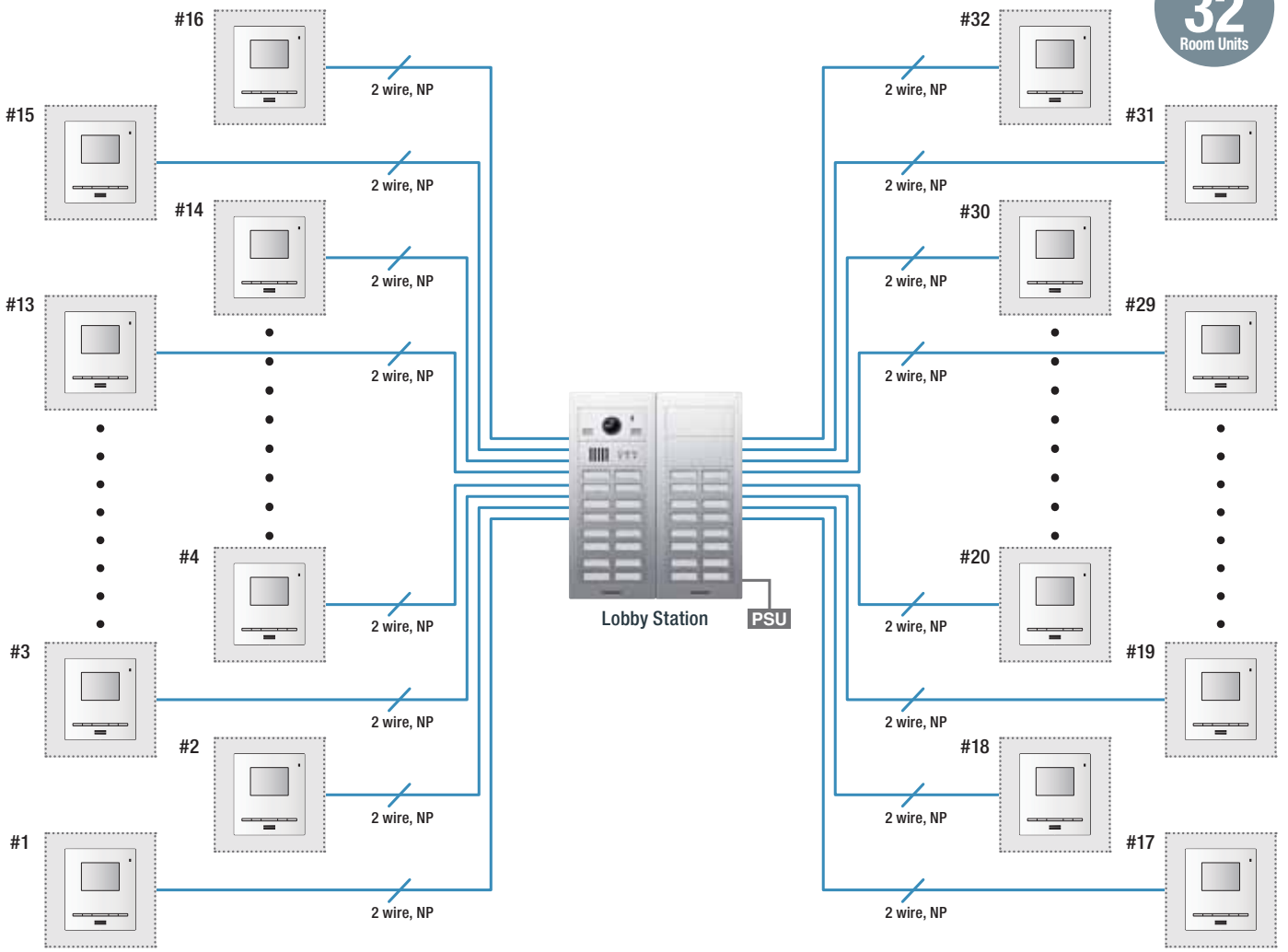


\*1 Excluding sections embedded into the wall.

\*2 Water resistance is only assured if the product is installed correctly according to the instructions in the Operating Instructions, and appropriate water protection measures are taken.

# Star-shaped Wiring

Up to  
**32**  
Room Units



**Wiring distance:** Lobby Station – Monitor Up to 100 m (ø0.65 mm) / Up to 200 m (ø1.20 mm)  
 PSU (VL-PS240) – Lobby Station Up to 10 m (ø0.65 mm) / Up to 20 m (ø2.0 mm)  
 PSU (VL-PS2410) – Lobby Station Up to 50 m (ø0.65 mm) / Up to 100 m (ø2.0 mm)

## Power Supply Unit Estimate (For Star-shaped Wiring)

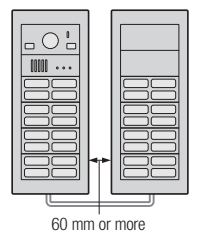
	(Unit: pcs.)		(Unit: pcs.)	
Monitor (VL-MV10)	1~4	5~32	Monitor (other monitors)	1~32
Lobby Station		1	Lobby Station	1
Power Supply Unit VL-PS240 (0.6A)	1	-	Power Supply Unit VL-PS240 (0.6A)	1
Power Supply Unit VL-PS2410 (2.5A)	-	1		

This is an estimate of a minimal configuration. The actual configuration depends on the installation environment/conditions.

## Lobby Station Components

(Unit: pcs.)									
Number of call buttons	32	28	16	13	24	16	8	7	6
VL-VM101	1	1	1	1	1	1	1	1	1
VL-VM301				1					
VL-VM302									1
VL-VM303								1	
VL-VM304	8	7	4	3	6	4	2	1	1
VL-VM901	2	3				2			
VL-VM502/VM503*	VL-VM503: (2)		VL-VM503: (1)		VL-VM502: (2)		VL-VM502: (1)		
VL-VM602/VM603	VL-VM603: 2		VL-VM603: 1		VL-VM602: 2		VL-VM602: 1		
VL-VM801	1	1			1	1			

### Surface Mount

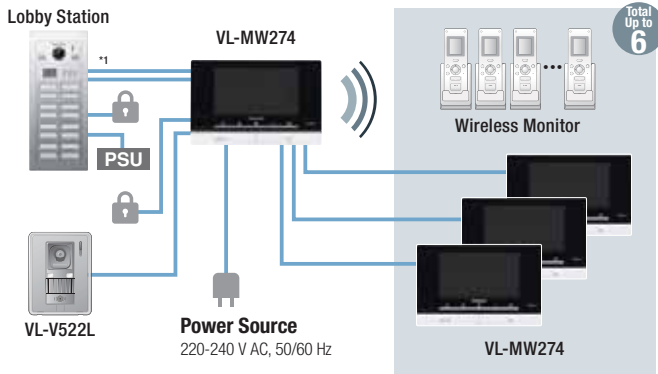


When the surface mount installation method is used to install 2 Lobby Stations side-by-side, a gap of 60 mm or more is required.

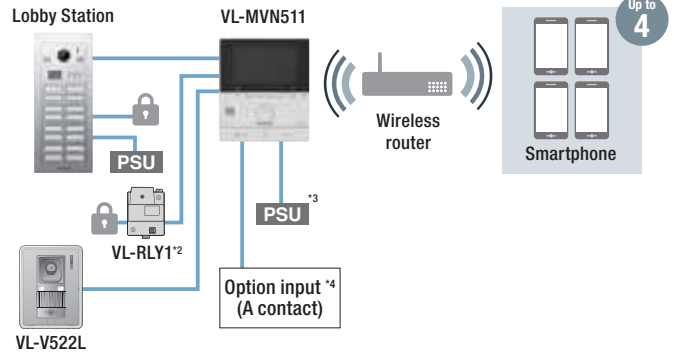
\*The surface mount cover cannot be attached when the lobby station is flush mounted. However, make sure to use the surface mount cover when the lobby station is surface mounted.

# Monitor Lineup

## VL-MW274

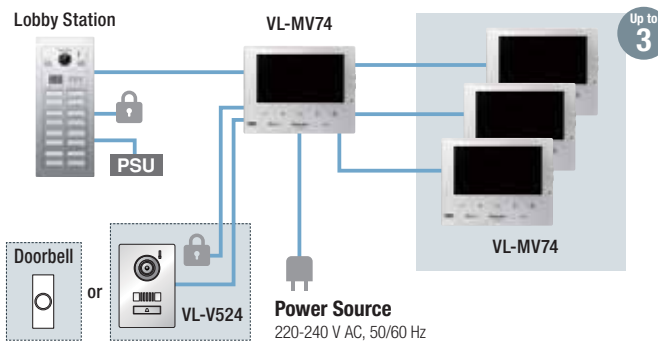


## VL-MVN511



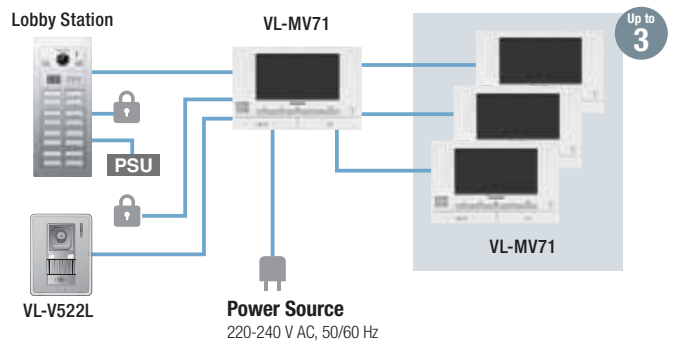
## VL-MV74

(Wireless monitors NOT supported)

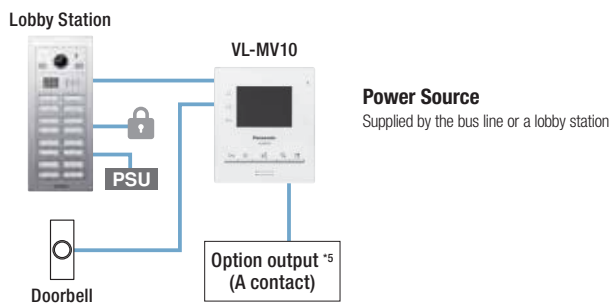


## VL-MV71

(Wireless monitors NOT supported)



## VL-MV10



**PSU** : Power Supply Unit

\*1 Connect terminal S1/S2 on the main monitor with terminal K-IN 1 or K-IN 2 on the lobby station.

\*2 A Relay Box (VL-RLY1) is NOT included with the monitor (VL-MVN511).

\*3 A Power Supply Unit is included with the monitor.

\*4 Option inputs can be used to connect 2 sensors.

\*5 Devices that can be connected to the option output: doorbell light, door chime, rotating light, etc.

# Video Intercom Multi Door System for Small Size Apartment



## Module Lineup

**VL-VM101**  
Camera Module



**VL-VM301**  
1-Button Module



**VL-VM302**  
2-Button Module



**VL-VM303**  
3-Button Module



**VL-VM304**  
4-Button Module



**VL-VM901**  
Blank Panel



**VL-VM502 / VM503**  
Surface Mount Cover  
(Small type / Large type)



**VL-VM602 / VM603**  
Back Box  
(Small type / Large type)



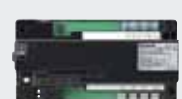
**VL-PS2410**  
Power Supply Unit (2.5A type)



**VL-VM701**  
Distributor



**VL-V703**  
Extension Box



**VL-VM801**  
Extension Cable (1 m, 15 g)



**VL-PS240**  
Power Supply Unit (0.6A type)



## Main Features

### Freely mix and match

A flexible system that accommodates up to 32 rooms can be designed by combining call button modules.



### Easy-to-see and use call buttons

The large call buttons with integrated nameplate and backlight make it visible in the dark and enhance its operability and visibility.



### Front access name plate

While our unique front-access nameplates are easily removed by hand, front access can also be prohibited with screws.



### Compact design

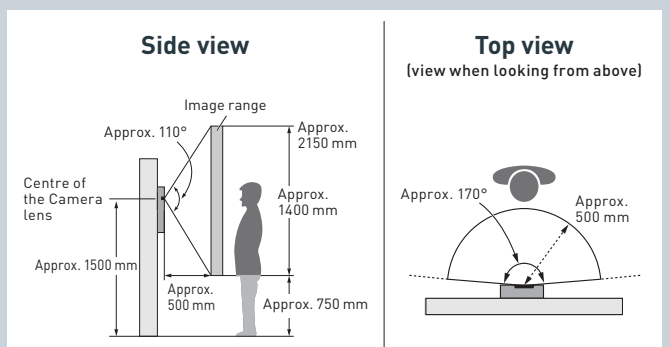
Its compact design allows it to be installed in a variety of locations.



# Specifications

Lobby Station	Flush mount (Small type)	Flush mount (Large type)	Surface mount (Small type)	Surface mount (Large type)
Composition	VL-VM101 x 1pc. VL-VM304 x 2pcs. VL-VM602 x 1pc. (Small type)	VL-VM101 x 1pc. VL-VM304 x 4pcs. VL-VM603 x 1pc. (Large type)	VL-VM101 x 1pc. VL-VM304 x 2pcs. VL-VM602 x 1pc. (Small type) VL-VM502 x 1pc. (Small type)	VL-VM101 x 1pc. VL-VM304 x 4pcs. VL-VM603 x 1pc. (Large type) VL-VM503 x 1pc. (Large type)
Dimensions (H x W x D) (Excluding protruding sections)	226 x 130 x 9 mm <sup>1</sup> 	315 x 130 x 9 mm <sup>1</sup> 	233 x 135 x 89 mm 	322 x 135 x 89 mm 
Weight	1.3 kg	1.8 kg	1.7 kg	2.2 kg
Power source	Power supply unit (sold separately): VL-PS240 or VL-PS2410			
Power consumption	Refer to "Power Supply Unit Estimate" on the next page			
Model number and name	VL-VM602	VL-VM603	VL-VM502	VL-VM503
	Back Box (Small type)	Back Box (Large type)	Surface Mount Cover (Small type)	Surface Mount Cover (Large type)
Dimensions (H x W x D) (Excluding protruding sections)	226 x 130 x 59 mm 	315 x 130 x 59 mm 	233 x 134.5 x 88 mm 	322 x 134.5 x 88 mm 
Weight	VL-VM602: 720 g	VL-VM603: 930 g	VL-VM502: 355 g	VL-VM503: 445 g
Operating environment	Ambient temperature: Approx -15 °C to +55 °C, Relative humidity (non-condensing): Up to 90 %		Ambient temperature: Approx -15 °C to +55 °C, Relative humidity (non-condensing): Up to 90 %	
External material	Aluminium and Steel (SPCC)		Stainless steel (SUS304)	
Model number and name	VL-VM101	VL-VM301/302/303/304	VL-VM901	
	Camera Module	Button Module	Blank Panel	
Dimensions (H x W x D) (Excluding protruding sections)	90.5 x 117.5 x 56.5 mm 	46 x 117.5 x 40 mm 	46 x 117.5 x 5 mm 	
Weight	315 g	120 g	50 g	
Operating environment	Ambient temperature: Approx -15 °C to +55 °C, Relative humidity (non-condensing): Up to 90 %			
Talking method	Hands-free	-	-	
View angle	Horizontally: Approx. 170° Vertically: Approx. 110°	-	-	
IP rating / IK rating	IP55 <sup>2</sup> / Compliant with IK08			
Image sensor	(1/4 inch) CMOS sensor (approx. 1.0 M pixels)	-	-	
Minimum illuminance required	1 lx (within approx. 50 cm from the camera lens)	-	-	
Lighting method	White coloured LED lights	-	-	
External material	Aluminium (partially PC and ABS)	Aluminium (partially PC and ABS)	Aluminium	
Model number and name	VL-PS240	VL-PS2410	VL-VM701	VL-V703
	Power Supply Unit (0.6A type)	Power Supply Unit (2.5A type)	Distributor	Extension Box
Dimensions (H x W x D) (Excluding protruding sections)	116 x 100 x 54 mm 	116 x 210 x 58 mm 	133 x 210 x 51 mm 	108.5 x 210 x 52.5 mm 
Power source	Input: 220-240 V AC, 0.2 A [50/60 Hz] Output: 24 V DC, 0.6 A	Input: 220-240 V AC, 1 A [50/60 Hz] Output: 24 V DC, 2.5 A	Power supply unit (sold separately): VL-PS240 or VL-PS2410	Power supply unit (VL-PS240)
Power consumption	-	-	Refer to "Power Supply Unit Estimate" on the next page	Standby: 1.5 W Operating: 1.5 W
Weight	230 g	530 g	440 g	350 g
Operating environment	Ambient temperature: Approx. 0 °C to +50 °C Relative humidity (non-condensing): up to 90 % (indoor use only)	Ambient temperature: Approx. 0 °C to +50 °C, Relative humidity (non-condensing): Up to 90 %	Ambient temperature: Approx. -10 °C to +55 °C, Relative humidity (non-condensing): Up to 90 %	Ambient temperature: Approx. -10 °C to +50 °C, Relative humidity (non-condensing): Up to 90 %
External material	Flame retardant PC+ABS resin	Flame retardant PC+ABS resin	ABS (flame retardant ABS resin)	ABS (flame retardant ABS resin)
Model number and name	VL-MV10			
	Monitor			
Dimensions (H x W x D) (Excluding protruding sections)	149 x 130 x 25 mm 			
Power source	Supplied by the bus line (from a distributor or a lobby station)			
Power consumption	Refer to "Power Supply Unit Estimate" on the next page			
Weight	270 g			
Operating environment	Ambient temperature: Approx. 0 °C to +40 °C, Relative humidity (non-condensing): up to 90 %			
Display	3.5-inch colour / QVGA (320x240 pixels)			
External material	Flame retardant ABS			
Supported functions				
Electric lock release support	Up to 1 (for Lobby Station)			
Pan, Tilt, Zoom	with 3 mode PAN (for VL-VM101)			
Monitoring outside	-			
Expanded interface	Doorbell input x 1, A contact output x 1			

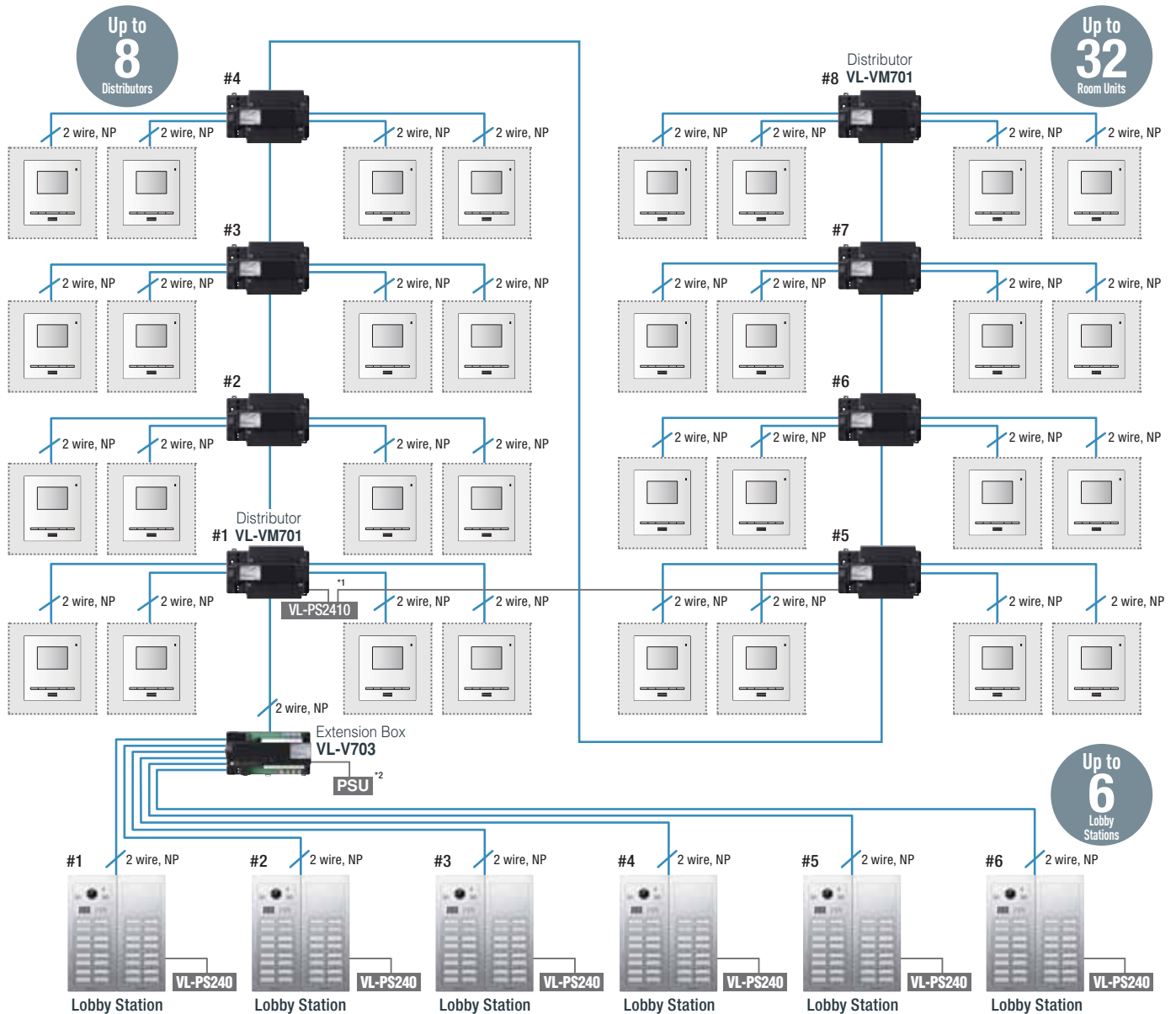
## Installation Position and Camera Range



\*1 Excluding sections embedded into the wall.

\*2 Water resistance is only assured if the product is installed correctly according to the instructions in the Operating Instructions, and appropriate water protection measures are taken.

# Bus Wiring



**Wiring distance:** Lobby Station – Furthest Distributor Up to 100 m (ø0.65 mm) / Up to 200 m (ø1.20 mm)  
 Distributor (VL-VM701)\*3 – Monitor Up to 100 m (ø0.65 mm) / Up to 200 m (ø1.20 mm)  
 PSU (VL-PS240) – Lobby Station Up to 10 m (ø0.65 mm) / Up to 20 m (ø2.0 mm)  
 PSU (VL-PS2410) – Lobby Station Up to 50 m (ø0.65 mm) / Up to 100 m (ø2.0 mm)  
 PSU (VL-PS240/PS2410) – Distributor Up to 10 m (ø0.65 mm) / Up to 20 m (ø2.0 mm)

NP: Non-Polar  
 PSU: Power Supply Unit

## Power Supply Unit Estimate (For Bus Wiring)

	(Unit: pcs.)									(Unit: pcs.)								
Monitor (VL-MV10)	1~4	5~8	9~12	13~16	17~20	21~24	25~28	29~32		Monitor (other monitors)	1~4	5~8	9~12	13~16	17~20	21~24	25~28	29~32
Distributor VL-VM701	1	2	3	4	5	6	7	8		Distributor VL-VM701	1	2	3	4	5	6	7	8
Power Supply Unit VL-PS240 (0.6 A)	1									Power Supply Unit VL-PS240 (0.6 A)		1						
Power Supply Unit VL-PS2410 (2.5 A)					1					Power Supply Unit VL-PS2410 (2.5 A)						1		

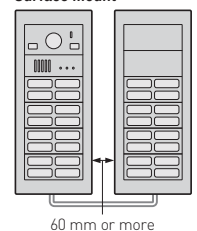
Excludes quantity of Power Supply Units used by Lobby Stations. This is an estimate of a minimal configuration. The actual configuration depends on the installation environment/conditions.

- \*1 When a VL-MV10 is connected using 1 VL-PS2410 power supply unit  
 If the system consists of 1 VL-PS2410 and 5 or more distributors are used, connect wiring from the VL-PS2410 to the 1st and 5th distributors.
- \*2 A Power Supply Unit (VL-PS240) is included with the Extension Box (VL-V703).
- \*3 Distributor connected to power supply unit (when using VL-MV10)

## Lobby Station Components

(Unit: pcs)									
Number of call buttons	32	28	16	13	24	16	8	7	6
VL-VM101	1	1	1	1	1	1	1	1	1
VL-VM301				1					
VL-VM302								1	
VL-VM303								1	
VL-VM304	8	7	4	3	6	4	2	1	1
VL-VM901	2	3				2			
VL-VM502/VM503*	VL-VM503: (2)		VL-VM503: (1)		VL-VM502: (2)		VL-VM502: (1)		
VL-VM602/VM603	VL-VM603: 2		VL-VM603: 1		VL-VM602: 2		VL-VM602: 1		
VL-VM801	1	1			1	1			

### Surface Mount

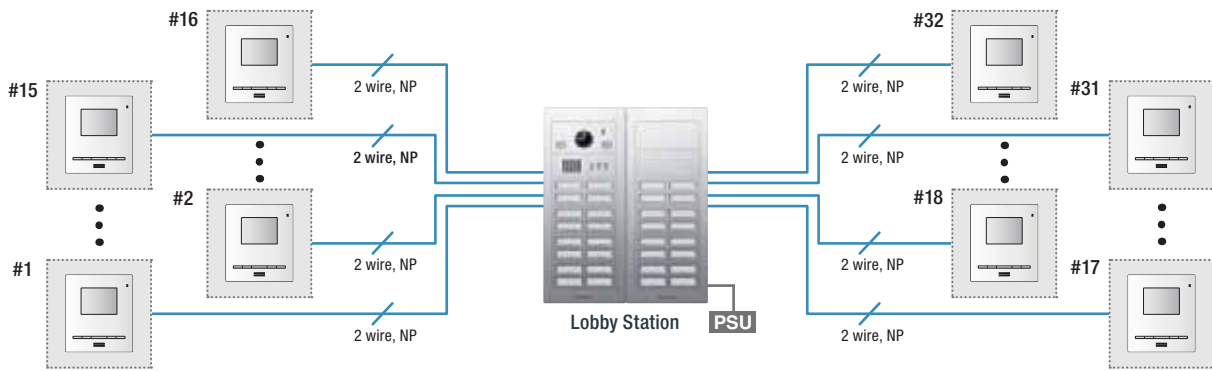


When the surface mount installation method is used to install 2 Lobby Stations side-by-side, a gap of 60 mm or more is required.

\*The surface mount cover cannot be attached when the lobby station is flush mounted. However, make sure to use the surface mount cover when the lobby station is surface mounted.



# Star-shaped Wiring



Up to  
**32**  
Room Units

**Wiring distance:** Lobby Station – Monitor Up to 100 m (ø0.65 mm) / Up to 200 m (ø1.20 mm)  
 PSU (VL-PS240) – Lobby Station Up to 10 m (ø0.65 mm) / Up to 20 m (ø2.0 mm)  
 PSU (VL-PS2410) – Lobby Station Up to 50 m (ø0.65 mm) / Up to 100 m (ø2.0 mm)

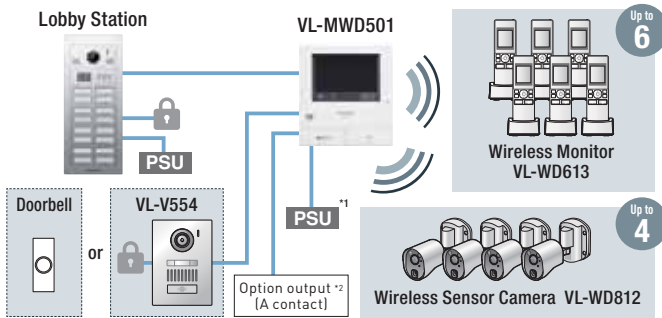
## Power Supply Unit Estimate (For Star-shaped Wiring)

(Unit: pcs.)		(Unit: pcs.)	
Monitor (VL-MV10)	1~4	5~32	
Lobby Station	1		
Power Supply Unit VL-PS240 (0.6A)	1	-	
Power Supply Unit VL-PS2410 (2.5A)	-	1	
Monitor (other monitors)	1~32		
Lobby Station	1		
Power Supply Unit VL-PS240 (0.6A)	1		

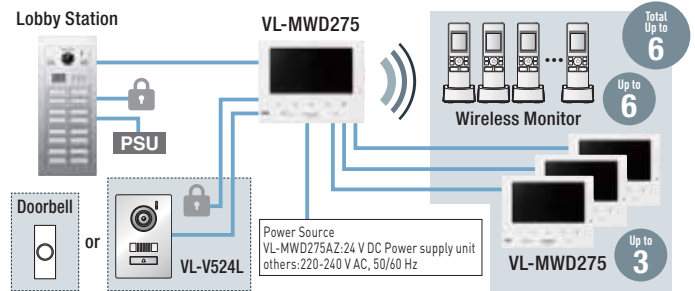
This is an estimate of a minimal configuration. The actual configuration depends on the installation environment/conditions.

# Monitor Lineup

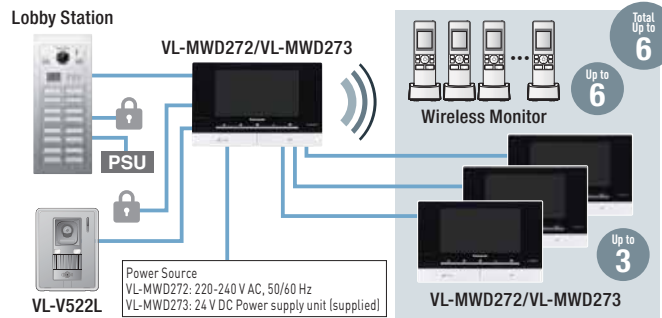
## VL-MWD501



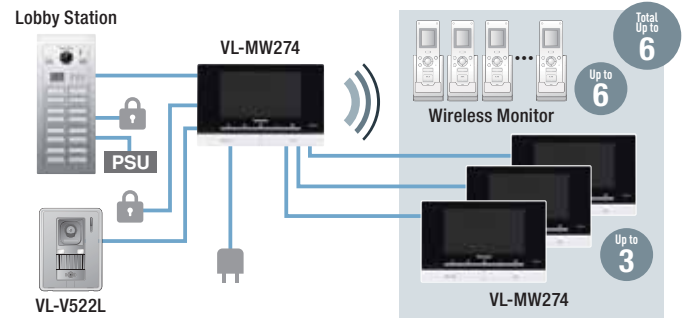
## VL-MWD275



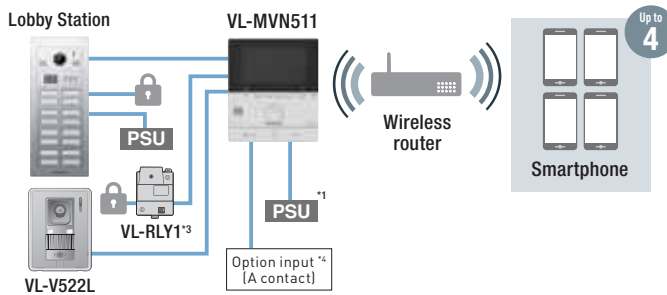
## VL-MWD272/VL-MWD273



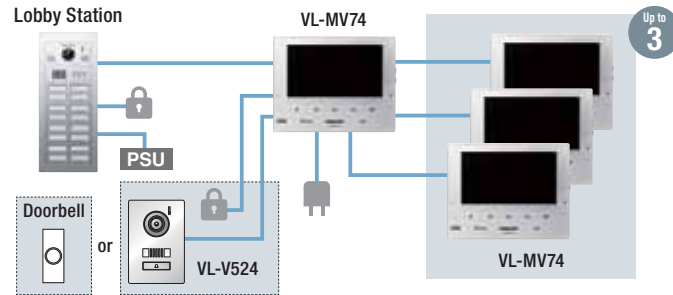
## VL-MW274



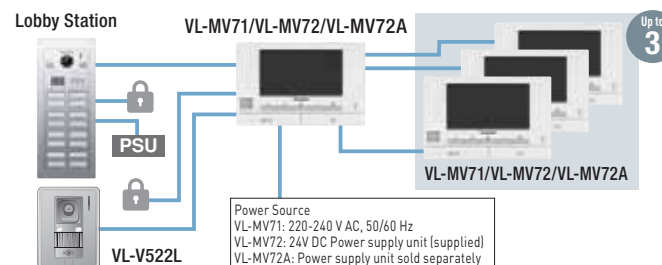
## VL-MVN511



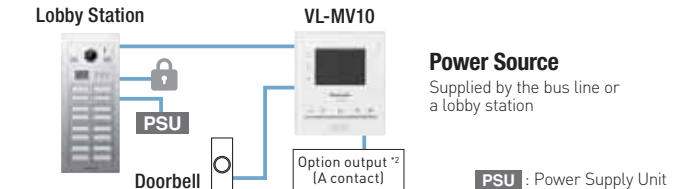
## VL-MV74



## VL-MV71/VL-MV72/VL-MV72A



## VL-MV10



**Power Source**  
Supplied by the bus line or a lobby station

**PSU** : Power Supply Unit

\*1 A Power Supply Unit is included with the monitor.  
 \*2 Devices that can be connected to the option output: doorbell light, door chime, rotating light, etc.  
 \*3 A Relay Box [VL-RLY1] is NOT included with the monitor [VL-MVN511].  
 \*4 Option inputs can be used to connect 2 sensors.

# Multi Door System



Multi Door System  
VL-V591 AZ/BX/CX/SX/VN



## Lobby Station for Small Apartment, Office or Commercial Building

### 10 Keys and LED Indicator

Highly practical, basic Lobby Station for small apartment buildings. When you enter the room number from the 10 keys, the room number you have selected appears on the 7-segment LED indicator for you to easily confirm.

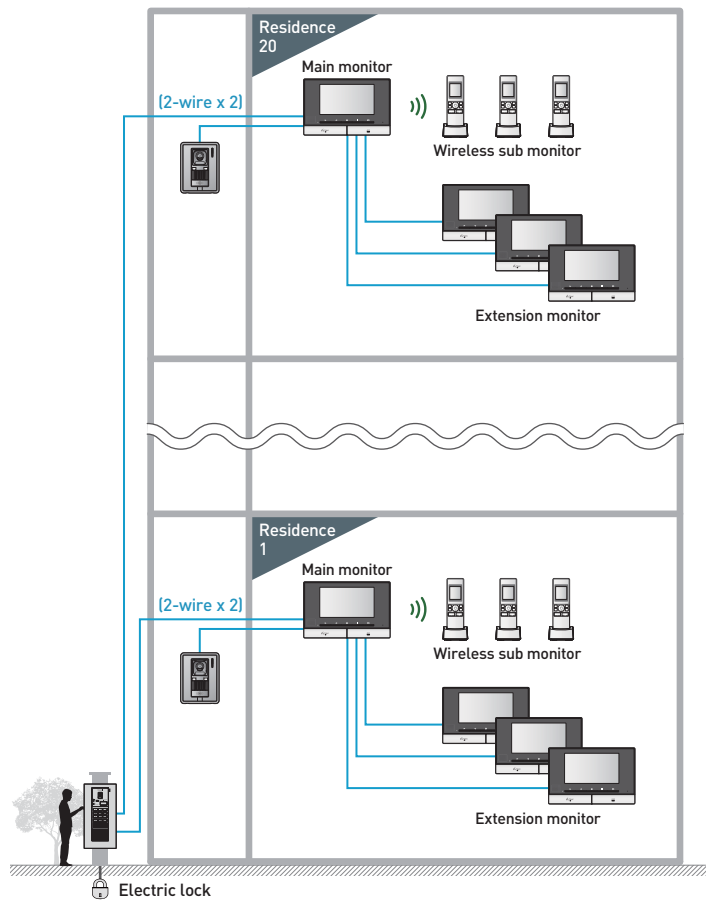


### Diverse Monitor Line-up

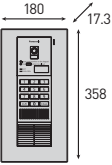
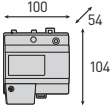
You can choose a monitor that best fits your budget and purpose from our diverse line-up.



### System Configuration Example



- Up to 20 main monitors connectable
- Electric Lock Release Support
- Door Unlocking via PIN Code
- Adjustable Camera Angle

Model number and name	VL-V591	
	Optional Lobby Station	Power Supply Unit
Dimensions (Unit: mm)		
Power source	Power supply unit (VL-PS241)	Input: 220-240 V AC, 0.2 A (50/60 Hz) Output: 24 V DC, 0.6 A
Current consumption	Standby: 0.02 A Operating: 0.03 A	—
Dimensions (H x W x D) (Excluding protruding sections)	358 x 180 x 17.3 mm (Excluding sections embedded into the wall)	104 x 100 x 54 mm
Weight	2.0 kg	215 g
Operating environment	Ambient temperature: Approx. -10 °C to +50 °C, Relative humidity (non condensing): up to 90 %	Ambient temperature: Approx. 0 °C to +50 °C, Relative humidity (non-condensing): up to 90 % (indoor use only)
Display	—	—
Talking method	Hands-free	—
Viewing angle	Horizontally: Approx. 87° Vertically: Approx. 66°	—
Image sensor/camera (pixel)	CMOS sensor (Approx. 0.3 M pixels)	—
Minimum illuminance required	—	—
Lighting method	—	—
Installation method	Flush mount (flush mount box supplied)	Wall mount or attach to DIN rail
External material	Stainless steel and flame retardant ABS resin	Flame retardant PC+ABS resin



**Trademarks and registered trademarks**

- MIFARE is a registered trademark of NXP B.V. and is used under license.
- Apple, the Apple logo, iPhone and iPad are trademarks of Apple Inc., registered in the U.S. and other countries.
- App Store is a service mark of Apple Inc., registered in the U.S. and other countries.
- Android, Google Play, and the Google Play logo are trademarks of Google LLC.
- SD, SDHC and SDXC Logos are trademarks of SD-3C, LLC.
- The software of these products are based in part on the work of the Independent JPEG Group.
- All other trademarks identified herein are the property of their respective owners.

**Important**

- Safety Precaution: Carefully read the operating instructions and installation manual before using these products.
- Panasonic cannot be responsible for the performance of the network and/or other manufacturers' products used on the network.
- These systems are not designed to provide complete protection from property loss. To the maximum extent permitted by applicable law, Panasonic will not be held responsible for any damage incurred as a result of property loss.
- When installing or using the product, please take into consideration the rights of others with regard to privacy and rights of portrait.
- This catalog is provided for many countries. Please note that some products may not be available in some countries.

- Actual products may vary slightly from photographs.
- All pictures of the LCD display are simulated.
- The quality of doorphone images may change depending on the installation environment, lighting conditions, etc.
- Weights and dimensions are approximate.
- Design and specifications are subject to change without notice.
- These products may be subject to export control regulations.

---

DISTRIBUTED BY :

**Panasonic**<sup>®</sup>